

# SEALED ILLUMINATED DOME PUSHBUTTONS

**LP7-D**  
ILLUMINATED  
PUSHBUTTONS

MOMENTARY ACTION, ATTRACTIVE & HIGHLY RUGGEDIZED FOR WET & DUSTY ENVIRONMENTS

The LP7-D series pushbutton switches feature a contoured round dome style or square pushbutton. While sharing similar size and characteristics to the P9 series, the LP7-D offers added durability with its anodized aluminum alloy case.

Button versions include flush or raised round dome in glossy or matte finish and raised square in matte finish. The switch series features short behind panel depth. It also offers excellent mechanical and electrical performance while operating under severe conditions found in demanding applications.

The LP7-D Dome series offers one million mechanical operations and an electrical life of 25,000 operations.

The LP7-D series is manufactured to the highest standards and built to withstand harsh environments, offering anodized aluminum alloy cases with seal options of dusttight to IP64 or watertight to IP68S. The LP7-D series offers long life LED lighting in a variety of colors and can accommodate 2 & 12VDC power.

The LP7-D Dome series is a quality precision switch designed for use in panels, control grips, computers, instruments, heavy equipment and other demanding applications where attractive, highly ruggedized pushbutton switches are required.

## Features:

- Flush and raised round buttons with glossy or matte finish in a variety of colors
- Raised square button option with matte finish in a variety of colors
- Watertight to IP68S; dusttight to IP64
- LED illuminated with the ability to accommodate 2 & 12VDC power
- 15/32" threaded case style
- RoHS compliant



Flush Dome  
Also available with  
Raised Dome



Square Dome  
with Matte Finish

Standard Characteristics/Ratings:		
ELECTRICAL RATINGS:		Sea Level @ 28VDC or 115VAC
Load	N.O./N.C.	S.P.D.T
Resistive	5A	4A
Inductive	3A	2A
Motor	3A	N/A
DWV	1050Vrms through switch contacts only	
Logic Level	10mA @ 5VDC	
<b>Electrical Life:</b>	25,000 cycles	
LIGHTING:		
Light Source Voltage (DC)	Actual Voltage Nominal (DC)	Voltage Max (DC)
2**	2	2.6
12	13.5	14.5
<b>Mechanical Life:</b>	1,000,000 cycles	
<b>Seal:</b>	IP64 or IP68S	
<b>Operating Temp Range:</b>	-40°C to +85°C	
<b>Operating Force:</b>	1.7 lbs. ± 0.5 lbs.	
<b>Total Travel:</b>	0.080 inches max	
<b>Overtravel:</b>	0.010 inches min	
MATERIALS:		
<b>Case:</b>	Anodized aluminum alloy	
<b>Button:</b>	Thermoplastic	
<b>Terminals:</b>	Silver with gold plate	
<b>Mounting Hardware:</b>	Hex nut, lockwasher and panel seal gasket when applicable	

## LP7-D PART NUMBER CODE

Button Style	Terminal Style/Seal	Circuit Form	Contact Rating	Light Source**	Case Color	Button Color
1. Flush Dome Standard Finish - Lightpipe	1. Standard Solder Terminal Dusttight	1. N.O.	1. Standard Current	A. 2V Red LED	1. Clear Anodized	1. Red
2. Raised Dome Standard Finish - Lightpipe	2. Standard Solder Terminal Watertight	2. N.C.	2. Logic Level Current	B. 2V Green LED	2. Black Anodized	2. Black
3. Flush Dome Matte Finish - Lightpipe	3. P.C. Pin Terminal Dusttight	3. 2 Circuit		C. 2V Amber LED		3. Orange
4. Raised Dome Matte Finish - Lightpipe	4. P.C. Pin Terminal Watertight			D. 2V Blue LED		4. Yellow
5. Raised Square Matte Finish - Lightpipe				E. 2V White LED		5. Green
6. Flush Dome Standard Finish - Fully Illuminated*				F. 12V Red LED		6. Blue
7. Raised Dome Standard Finish - Fully Illuminated*				G. 12V Green LED		7. Violet
				H. 12V Amber LED		8. Gray
				J. 12V Blue LED		9. White
				K. 12V White LED		A. Translucent White*

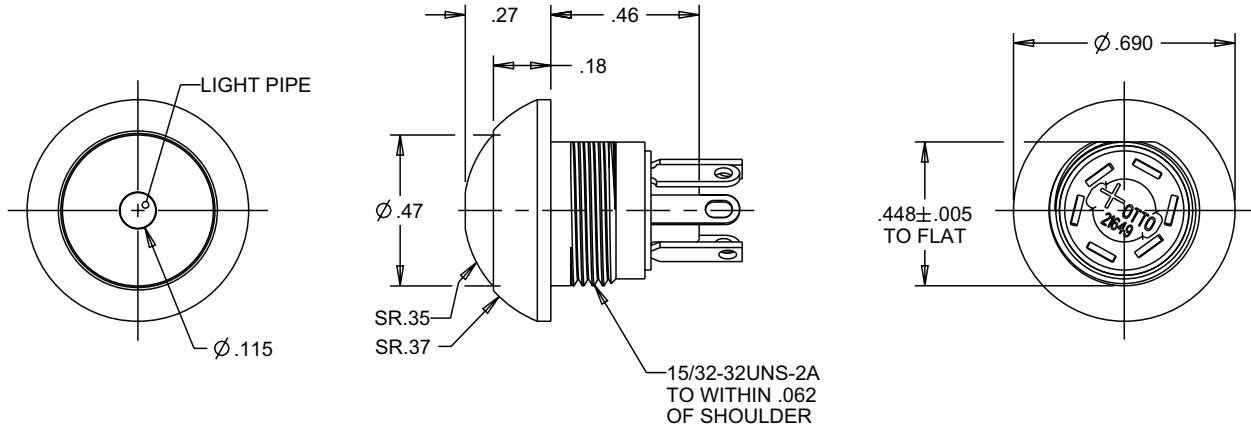
\* Full illumination button styles available with translucent Button Color selection A only.

\*\* 2V LED's are intended for use with an external resistor. See LED voltage chart in appendix for details on the approximate value of the resistor.

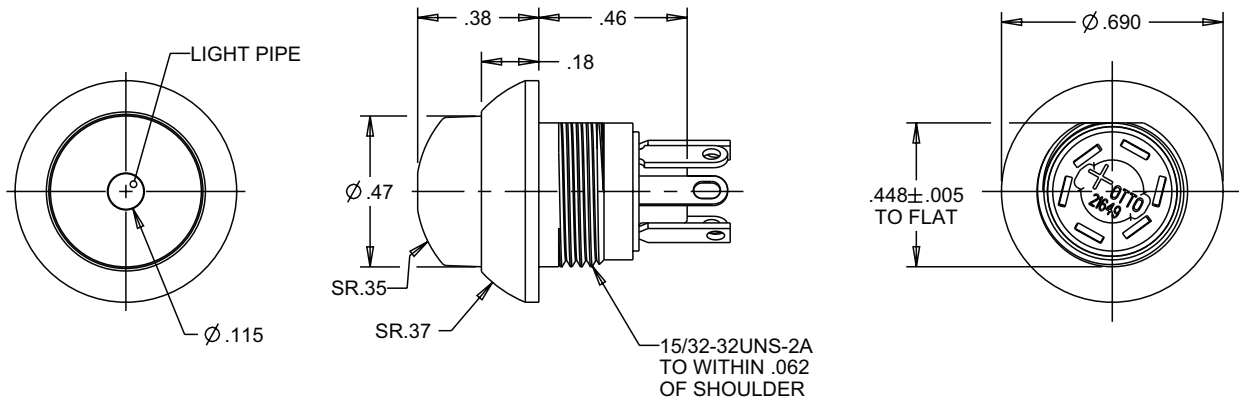
MOMENTARY ACTION, ATTRACTIVE & HIGHLY RUGGEDIZED FOR WET & DUSTY ENVIRONMENTS

## Button Options

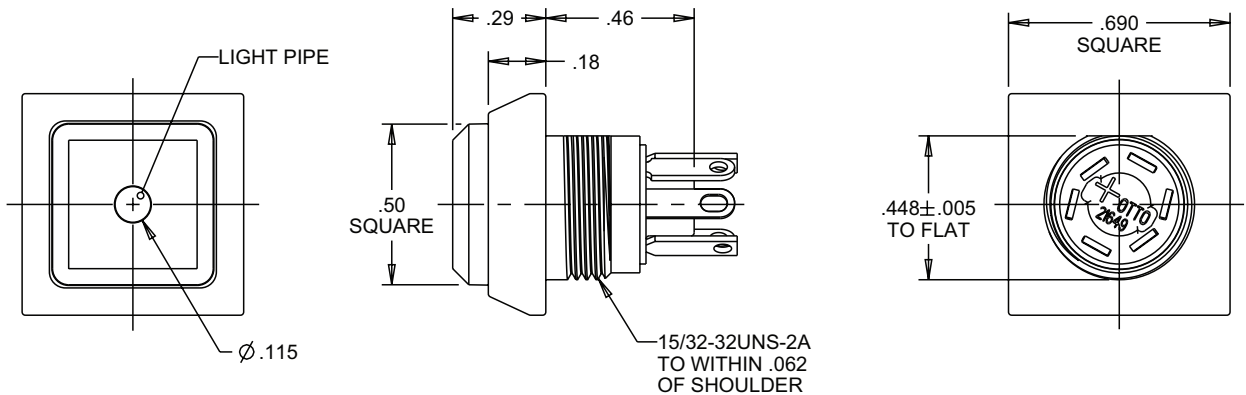
**FLUSH DOME  
(STYLE 1 & 3)**



**RAISED DOME  
(STYLE 2 & 4)**



**SQUARE DOME  
(STYLE 5)**



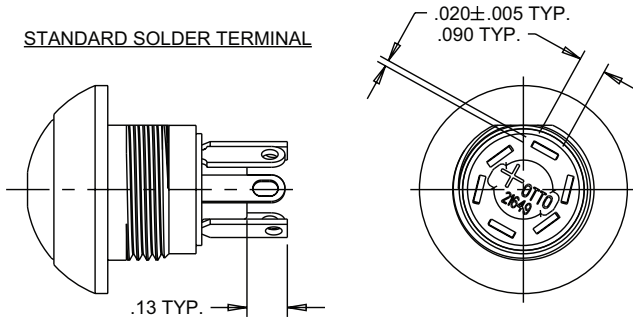
# SEALED ILLUMINATED DOME PUSHBUTTONS

**LP7-D**  
ILLUMINATED  
PUSHBUTTONS

MOMENTARY ACTION, ATTRACTIVE & HIGHLY RUGGEDIZED FOR WET & DUSTY ENVIRONMENTS

## Terminal Options

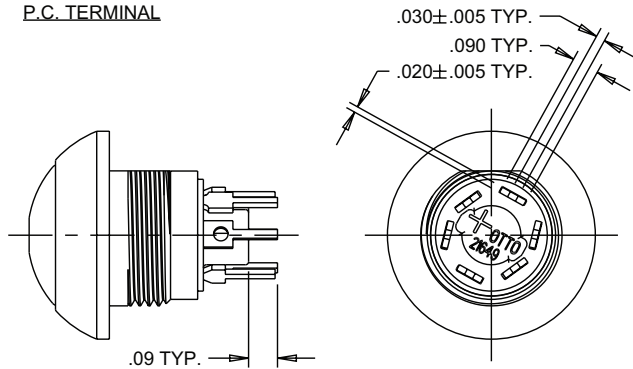
### STANDARD SOLDER TERMINAL



N.O. TERMINALS: ROUND END, SLOTTED HOLE (.084 X .055)  
N.C. TERMINALS: SQUARE END, ROUND HOLE (∅ .055)  
LED TERMINALS: ROUND END, ROUND HOLE (∅ .055)

(PLUS SYMBOL "+" DENOTES LOCATION OF LED TERMINAL ANODE AND LED TERMINAL CATHODE IS 180° OPPOSITE OF ANODE TERMINAL)

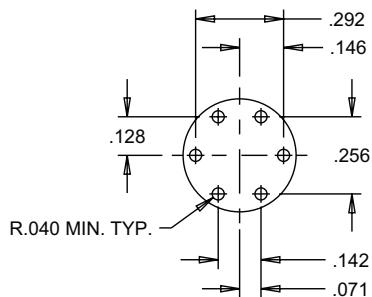
### P.C. TERMINAL



N.O. TERMINALS: ROUND HOLE (∅ .048)  
N.C. TERMINALS: NO HOLE  
LED TERMINALS: ROUND END, ROUND HOLE

(PLUS SYMBOL "+" DENOTES LOCATION OF LED TERMINAL ANODE AND LED TERMINAL CATHODE IS 180° OPPOSITE OF ANODE TERMINAL)

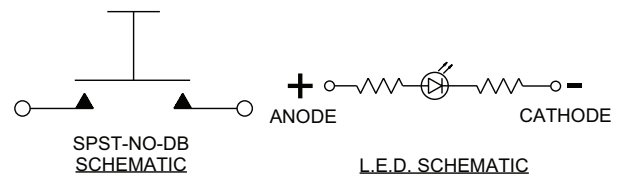
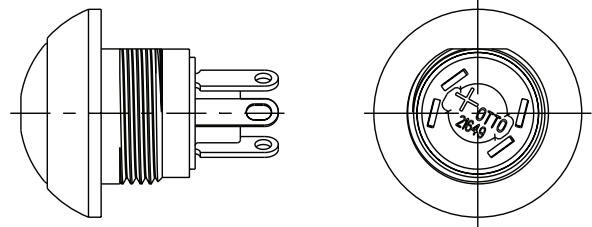
TERMINALS ORIENTED TO CASE FLAT AS SHOWN WITHIN ± 10°  
(P.C. TERMINALS ONLY)



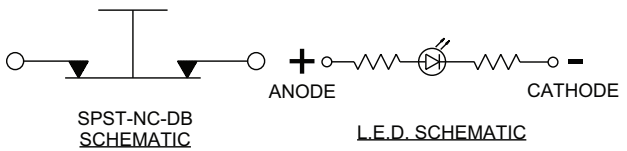
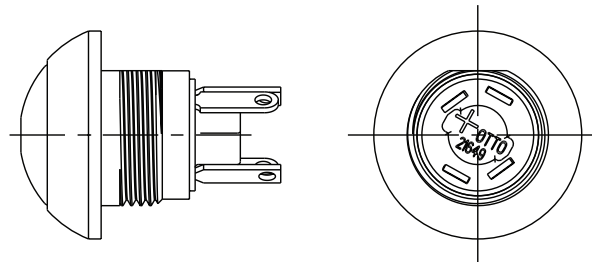
COMPONENT SIDE P.C. MOUNTING  
PATTERN, CASE FLAT ON ABOVE  
AS DEPICTED IN SWITCH VIEW

## Circuit Options

### NORMALLY OPEN



### NORMALLY CLOSED



### 2 CIRCUIT

