

MEA-9 Series

Enclosed Basic Switch

◆ Features

- ✓ Basic switch with strong but economical nylon fiber glass enclosure.
- ✓ Dust, water, and oil resistant
- ✓ Strain relief suitable for SJT18/4 18AWG cables
- ✓ Through hole: PF1/2" and M20 threads
- ✓ Field adjustable actuator heads

◆ Recognition(s)

- ✓ CE – EN60947
- ✓ UL – UL-508
- ✓ RoHS Compliant
- ✓ Reach Unaffected



◆ Characteristics

Positive Opening	Electrical Contact	Terminal Type	Contact Form(s)	Poles & Throws	Actuation Sequence(s)
No	4 Points	Screw	Form Z	SPDT-NC-NO	Double Break(1) Double Make(2)

Operating Temp.	AC Rated	DC Rated	IP	Oil Resist	Dust Resist	Water Resist	Operating Speed
-15 to 70 Celsius	6A 125-250V	0.4A 125V	65	Yes	Yes	Yes	0.5mm to 50cm/sec

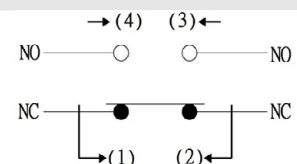
Operation Frequency	Contact Resistance	Insulation Resistance	Vibration
Mechanically: 120/min Electrically: 30/min	15mΩ max. (initial)	100MΩ min. (500VDC)	1.5mm amplitude at 10-55Hz

Storage Humidity	Service Life (min.)	Dielectric Strength
85% RH max	Mechanically: 10,000,000 operations Electrically: 500,000 operations	1000VAC, 50/60Hz for 1 minute between non-continuous terminals

Recommended tightening forces

Purpose	Screw type	Tightening
Mounting	M4	1.18~1.37 N·m
Enclosure cover		0.44±0.05 N·m
Screw terminal		0.29±0.05 N·m

Circuitry



◆ Materials

Actuation touch part	Electrical contact point	Enclosure
Nylon, or Stainless Steel, or Teflon	Silver 99.9%	Nylon with glass fiber (GF)

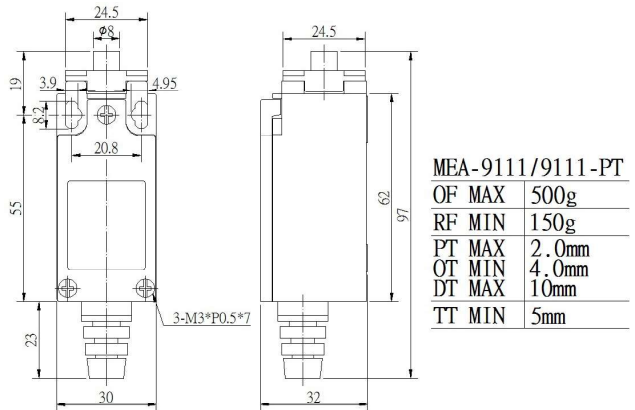
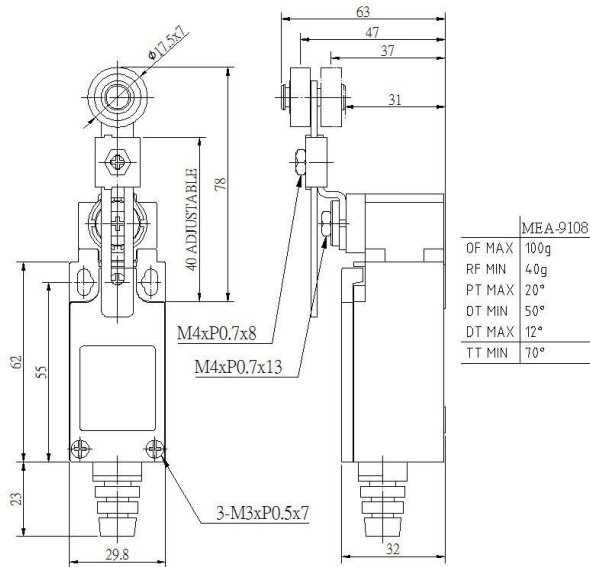
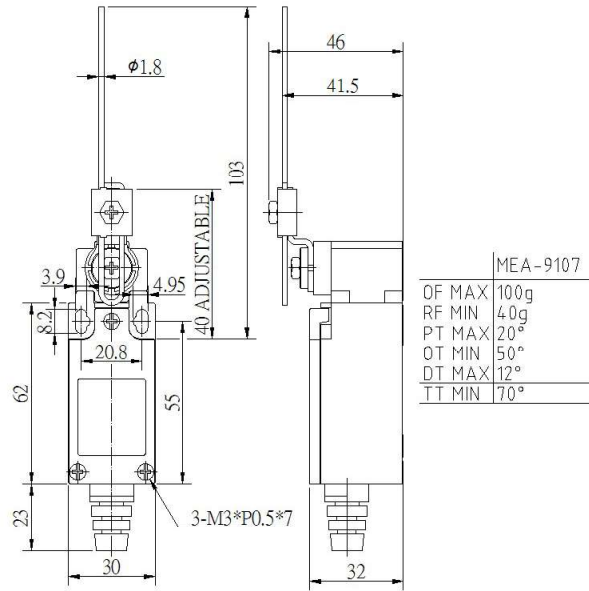
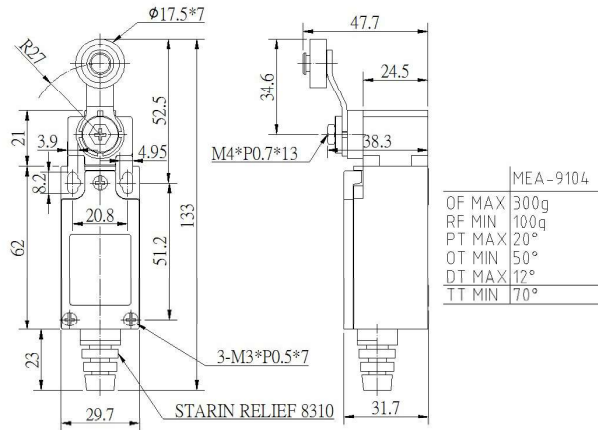
◆ Nomenclature

Series:	Actuator (and material):	Through hole:
MEA –	9104 –	
	9104 = Side rotary, nylon roller 9104-L = Side rotary, \varnothing 50mm rubber roller 9107 = Side rotary, adjustable metallic wire 9108 = Side rotary, adjustable nylon roller 9108-L = Side rotary, adjustable \varnothing 50mm rubber roller 9111 = Metallic plunger 9111-PT = Teflon plunger 9112 = Metallic roller plunger 9112-HP = Metallic roller plunger (high GF% head) 9112-P = Nylon roller plunger 9112-PT = Teflon roller plunger 9122 = Cross metallic roller plunger 9122-HP = Cross metallic roller plunger (high GF% head) 9122-P = Cross nylon roller plunger 9122-PT = Cross Teflon roller plunger 9161 = Spring, metallic coil 9166 = Spring, metallic coil with nylon tip 9169 = Spring, metallic wire	<i>Blank</i> =strain relief (SJT18/4 18AWG) G=PF1/2" thread M20=M20 thread (cable gland excluded)

◆ Dimensions & Operating Characteristics

*Measurements in millimeters

*Different through-hole types do not affect operating characteristics



MEA-9104



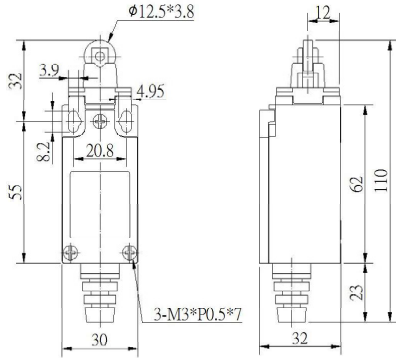
MEA-9107



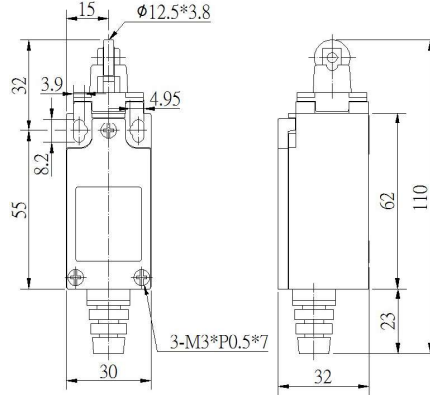
MEA-9108



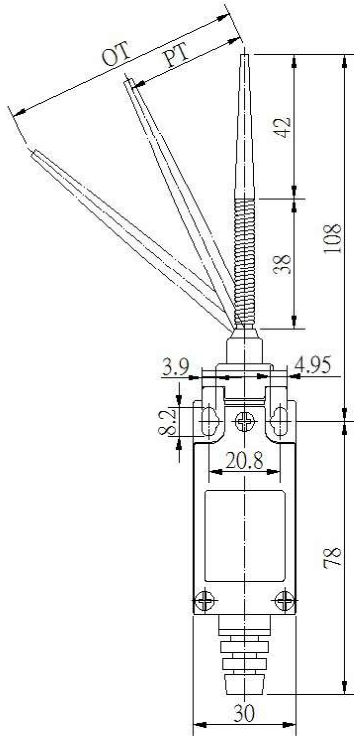
MEA-9111 / 9111-PT

MEA-9


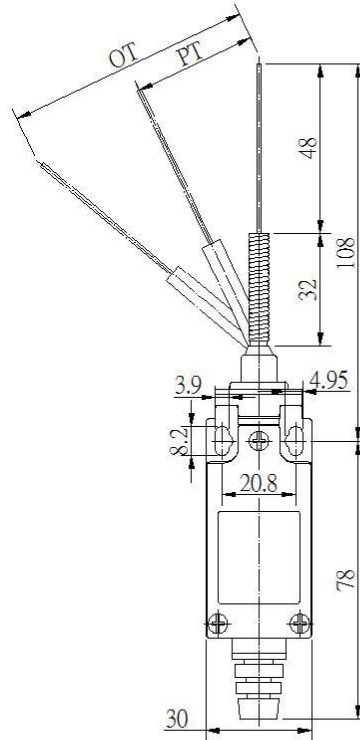
MEA-9112/9112-P/9112-PT	
OF MAX	500g
RF MIN	150g
PT MAX	2.0mm
OT MIN	4.0mm
DT MAX	1.0mm
TT MIN	5mm



MEA-9122-P MEA-9122/9122-PT	
OF MAX	500g
RF MIN	150g
PT MAX	2.0mm
OT MIN	4.0mm
DT MAX	1.0mm
TT MIN	5mm



MEA-9166	
OF MAX	60g
RF MIN	-
PT MAX	25°
OT MIN	50°
DT MAX	-
TT MIN	70°



MEA-9169	
OF MAX	60g
RF MIN	-
PT MAX	25°
OT MIN	50°
DT MAX	-
TT MIN	70°



MEA-9112 / 9112-HP / 9112-P / 9112-PT



MEA-9122 / 9122-HP / 9122-P / 9122-PT

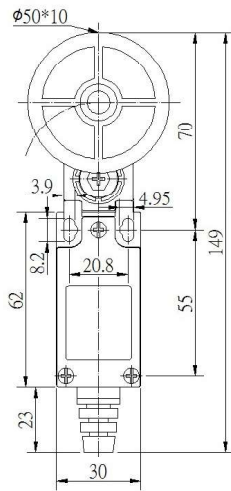
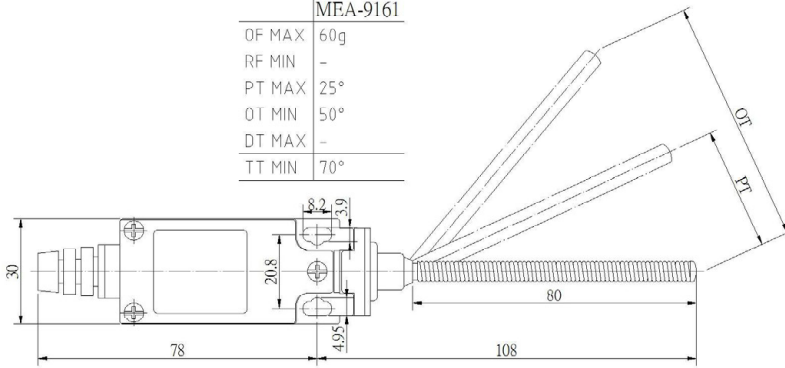


MEA-9166

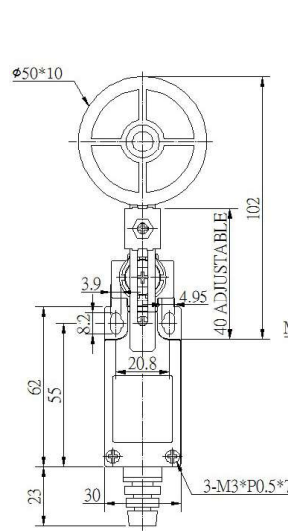


MEA-9169

MEA-9161	
OF MAX	60g
RF MIN	-
PT MAX	25°
OT MIN	50°
DT MAX	-
TT MIN	70°



MEA-9104-L	
OF MAX	300g
RF MIN	100g
PT MAX	20°
OT MIN	50°
DT MAX	12°
TT MIN	70°



MEA-9108-L	
OF MAX	100g
RF MIN	40g
PT MAX	20°
OT MIN	50°
DT MAX	12°
TT MIN	70°



MEA-9161



MEA-9104-L



MEA-9108-L