

PACT MCR-V1-21-44-500-5A-1 - Current transformer



2277792

<https://www.phoenixcontact.com/au/products/2277792>

Please be informed that the data shown in this PDF document is generated from our online catalog. Please find the complete data in the user documentation. Our general terms of use for downloads are valid.



Bus-bar current transformer, 500 A AC primary current; 5 A AC secondary current; accuracy class 1; 10 VA rated power

Commercial data

Item number	2277792
Packing unit	1 pc
Minimum order quantity	1 pc
Note	Made to order (non-returnable)
Sales key	CMMA11
Product key	CMMA11
Catalog page	Page 211 (C-5-2019)
GTIN	4046356502061
Weight per piece (including packing)	184.9 g
Weight per piece (excluding packing)	100 g
Customs tariff number	85043129
Country of origin	DE

2277792

<https://www.phoenixcontact.com/au/products/2277792>

Technical data

Product properties

Product type	Current transformer
--------------	---------------------

Electrical properties

Rated insulation voltage	1 kV (Phase/neutral conductor)
--------------------------	--------------------------------

General

Can be calibrated	no
Converter type	Bus-bar current transformer

Input data

Current transformer

Rated power	10 VA
Thermal rated short-time current	$I_{th} = 60 * I_n$
Thermal rated continuous current	$I_d = 1.2 * I_n$
Rated surge current	$I_{dyn} = 2.5 * I_{th}$
Rated frequency f_n	50 Hz
	60 Hz
Primary rated current I_{pn}	0 A AC ... 500 A AC
Can be calibrated	no
Converter type	Bus-bar current transformer

Output data

Signal

Designation	Current output
Secondary rated current I_{sn}	5 A AC
Surge current limitation factor	FS 5
Accuracy class	1

Connection data

Connection method	Screw connection
Conductor cross section flexible	2x 10 mm ² (Secondary terminals)
Tightening torque	2 Nm

Dimensions

Item dimensions

Width	31 mm
Height	68 mm
Depth	44 mm

Item dimensions with alternative mounting

PACT MCR-V1-21-44-500-5A-1 - Current transformer



2277792

<https://www.phoenixcontact.com/au/products/2277792>

Width	44 mm
Height	68 mm
Depth	31 mm

Circular conductor

Diameter	20 mm
----------	-------

Material specifications

Color	gray (RAL 7042)
Housing material	PA 6.6

Environmental and real-life conditions

Ambient conditions

Ambient temperature (operation)	-25 °C ... 40 °C
Ambient temperature (storage/transport)	-25 °C ... 40 °C
Altitude	≤ 1000 m
Permissible humidity (operation)	Use only indoors, non-condensing
Insulating material class	H

Approvals

CE

Certificate	CE-compliant
-------------	--------------

UKCA

Certificate	UKCA-compliant
-------------	----------------

UL, USA/Canada

Identification	XODW8.E323953
----------------	---------------

Standards and regulations

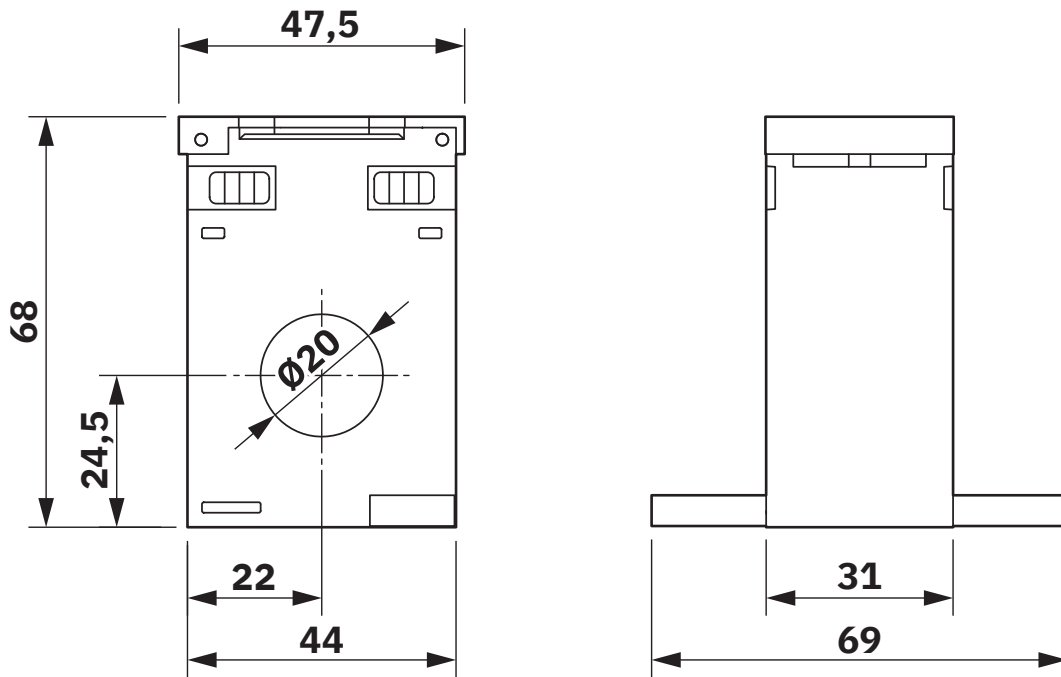
Standards/regulations	EN 61869
-----------------------	----------

Mounting

Mounting type	DIN rail mounting
	Panel mounting

Drawings

Dimensional drawing



PACT MCR-V1-21-44-500-5A-1 - Current transformer



2277792

<https://www.phoenixcontact.com/au/products/2277792>

Approvals

🔗 To download certificates, visit the product detail page: <https://www.phoenixcontact.com/au/products/2277792>



EAC

Approval ID: RU*DE*08.B.01187/19



cULus Recognized

Approval ID: E323953

2277792

<https://www.phoenixcontact.com/au/products/2277792>

Classifications

ECLASS

ECLASS-13.0

27210902

ETIM

ETIM 9.0

EC002048

UNSPSC

UNSPSC 21.0

39121000

PACT MCR-V1-21-44-500-5A-1 - Current transformer



2277792

<https://www.phoenixcontact.com/au/products/2277792>

Environmental product compliance

EU RoHS

Fulfills EU RoHS substance requirements	Yes, No exemptions
---	--------------------

China RoHS

Environment friendly use period (EFUP)	EFUP-E
	No hazardous substances above the limits

EU REACH SVHC

REACH candidate substance (CAS No.)	No substance above 0.1 wt%
-------------------------------------	----------------------------

Phoenix Contact 2025 © - all rights reserved
<https://www.phoenixcontact.com>

PHOENIX CONTACT PTY Ltd
Unit 7, 2-8 South Street
Rydalmere NSW 2116
1300 786 411
customerservice@phoenixcontact.com.au