

GW PL HART4-BUS - Protocol converter



2702234

<https://www.phoenixcontact.com/au/products/2702234>

Please be informed that the data shown in this PDF document is generated from our online catalog. Please find the complete data in the user documentation. Our general terms of use for downloads are valid.

Four-channel HART® expansion module, with screw connection



Commercial data

Item number	2702234
Packing unit	1 pc
Minimum order quantity	1 pc
Sales key	DNC322
Product key	DNC322
Catalog page	Page 463 (C-6-2019)
GTIN	4055626067056
Weight per piece (including packing)	200 g
Weight per piece (excluding packing)	185 g
Customs tariff number	85176200
Country of origin	DE

GW PL HART4-BUS - Protocol converter

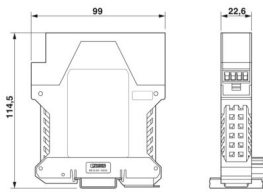


2702234

<https://www.phoenixcontact.com/au/products/2702234>

Technical data

Dimensions

Dimensional drawing	
Width	22.5 mm
Height	99 mm
Depth	114.5 mm

Notes

Note on application

Note on application	Only for industrial use
---------------------	-------------------------

Utilization restriction

CCCex note	Use in potentially explosive areas is not permitted in China.
------------	---

Material specifications

Color	gray
-------	------

Interfaces

Data: HART FSK

Transmission speed	1200 bps
Connection method	Screw connection
No. of channels	4

Product properties

Product type	I/O component
MTBF	359 Years (Siemens model SN29500, temperature 40°C, env. factor 1.5 and stress factor 50%)

Electrical properties

Test voltage data interface/power supply	500 V AC
Test voltage data interfaces	500 V AC

Supply

Supply voltage range	19.2 V DC ... 30 V DC (supplied from the bus)
Typical current consumption	44 mA (at 24 V DC)

Environmental and real-life conditions

GW PL HART4-BUS - Protocol converter



2702234

<https://www.phoenixcontact.com/au/products/2702234>

Ambient conditions

Degree of protection	IP20
Ambient temperature (operation)	-40 °C ... 70 °C
	-40 °F ... 158 °F
Ambient temperature (storage/transport)	-40 °C ... 85 °C

Approvals

Conformity/Approvals

Conformance	CE-compliant
Noxious gas test	ISA-S71.04-1985 G3 Harsh Group A

Ex data

ATEX	⊕ II 3 G Ex nA IIC T4 Gc DEMKO 17 ATEX 1749X
IECEX	IECEX ULD 17.0020X Ex nA IIC T4 Gc
UL, USA / Canada	Class I, Div. 2, Groups A, B, C, D

Mounting

Mounting type	DIN rail mounting
Assembly note	on standard DIN rail NS 35 in accordance with EN 60715
Mounting position	any

GW PL HART4-BUS - Protocol converter

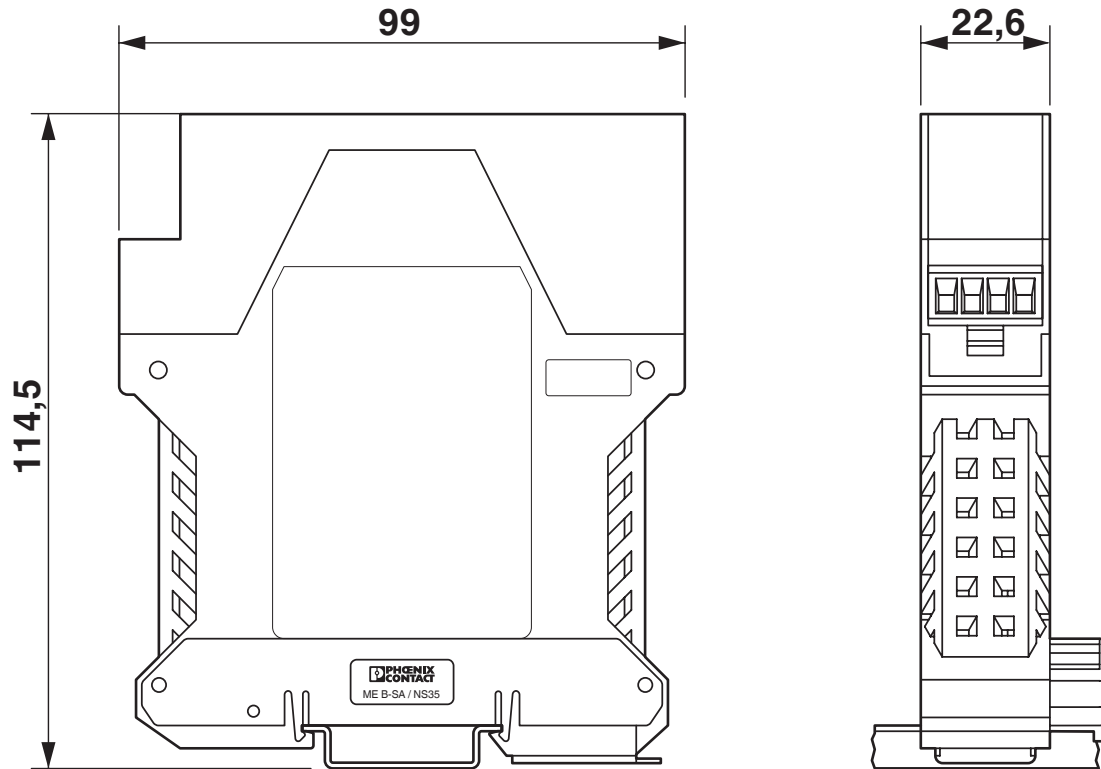
2702234

<https://www.phoenixcontact.com/au/products/2702234>



Drawings

Dimensional drawing

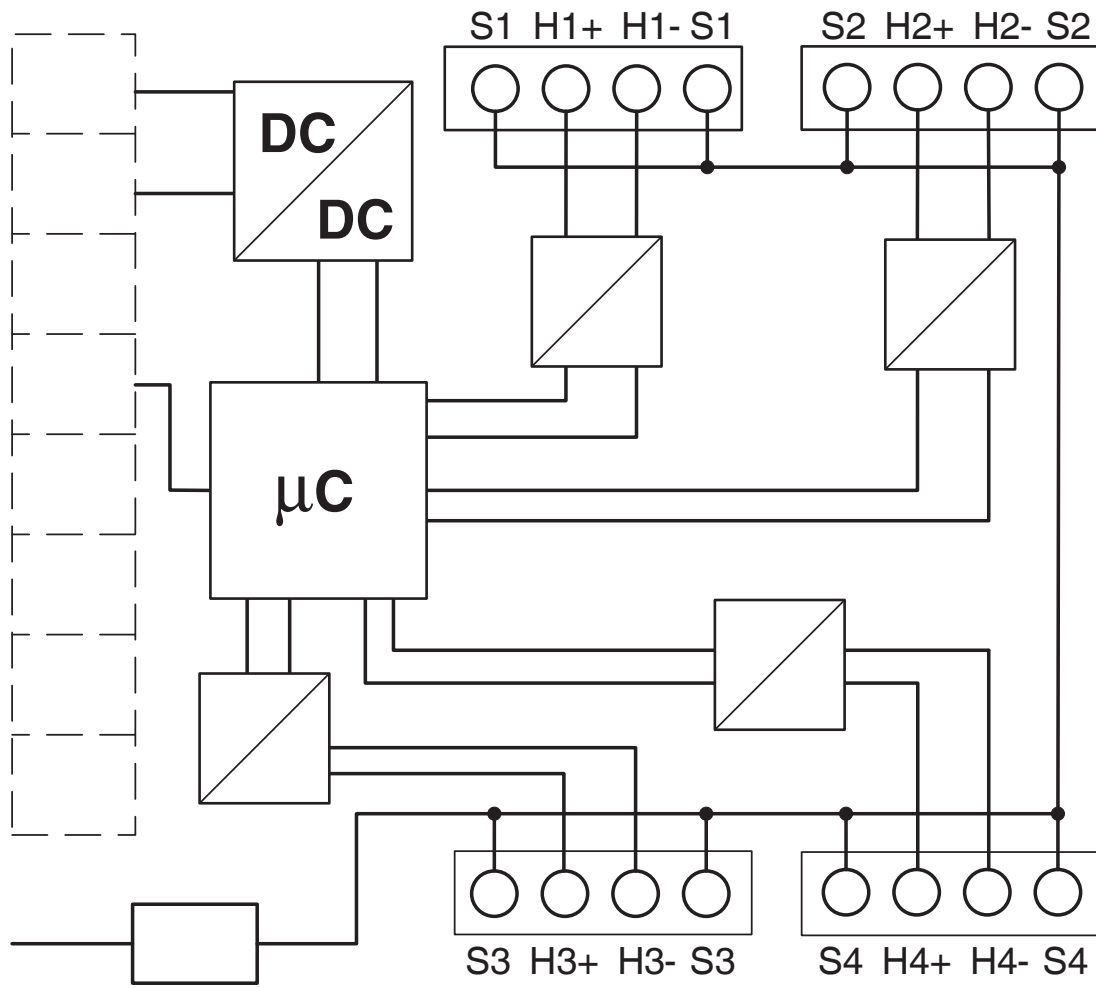


GW PL HART4-BUS - Protocol converter

2702234

<https://www.phoenixcontact.com/au/products/2702234>

Block diagram



GW PL HART4-BUS - Protocol converter



2702234

<https://www.phoenixcontact.com/au/products/2702234>

Approvals

To download certificates, visit the product detail page: <https://www.phoenixcontact.com/au/products/2702234>



UL Listed

Approval ID: E238705



cUL Listed

Approval ID: E238705



IECEX

Approval ID: IECEX ULD 17.0020X



cUL Listed

Approval ID: E196811



UL Listed

Approval ID: E196811



ATEX

Approval ID: DEMKO 17 ATEX 1749X

GW PL HART4-BUS - Protocol converter



2702234

<https://www.phoenixcontact.com/au/products/2702234>

Classifications

ECLASS

ECLASS-13.0

27242208

ETIM

ETIM 9.0

EC001423

UNSPSC

UNSPSC 21.0

32151700

GW PL HART4-BUS - Protocol converter



2702234

<https://www.phoenixcontact.com/au/products/2702234>

Environmental product compliance

EU RoHS

Fulfills EU RoHS substance requirements	Yes, No exemptions
---	--------------------

China RoHS

Environment friendly use period (EFUP)	EFUP-E
	No hazardous substances above the limits

EU REACH SVHC

REACH candidate substance (CAS No.)	No substance above 0.1 wt%
-------------------------------------	----------------------------

Phoenix Contact 2025 © - all rights reserved
<https://www.phoenixcontact.com>

PHOENIX CONTACT PTY Ltd
Unit 7, 2-8 South Street
Rydalmere NSW 2116
1300 786 411
customerservice@phoenixcontact.com.au