

# PSR-CT-C-SEN-1-8 - Safety switch sensor



2702972

<https://www.phoenixcontact.com/au/products/2702972>

Please be informed that the data shown in this PDF document is generated from our online catalog. Please find the complete data in the user documentation. Our general terms of use for downloads are valid.



Proximity safety circuit up to Cat. 4, PL e (EN ISO 13849), SIL 3 (IEC 61508), unicode sensor with RFID coding, model 4 (EN ISO 14119), automatic or manual start, integrated diagnostics, 24 V DC supply, IP69K, M12 connector

## Product description

The PSR-CT safety circuit consists of a combination of a PSR-CT-...-SEN-1-8 sensor with varying coding types and a coded PSR-CT-C-ACT actuator. It provides maximum tamper protection and the highest level of safety in accordance with EN ISO 14119. The PSR-CT safety circuit is available with the following types of coding: **Fixcode**: For the sensor to detect the actuator, the actuator must first be associated with the sensor via a learning process. The learning process can only be completed once. The sensor and actuator are then permanently assigned to each other by their coding. Safety circuits with fixcode evaluation achieve a **high coding level**. **Unicode**: For the sensor to detect the actuator, the actuator must first be assigned to the sensor via a learning process. The learning process for a new actuator can be repeated any number of times. The sensor only detects the last learned actuator. Safety circuits with unicode evaluation achieve a **high coding level**. **Multicode**: The sensor detects every actuator of the approved type. No specific actuator code can be assigned. Safety circuits with multicode evaluation achieve a **low coding level**.

## Your advantages

- Integrated reset function on the switch
- 4 actuation settings, 3 travel directions
- Tamper protection via RFID transponder technology
- Rapid diagnostics, thanks to comprehensive status information
- Consistent M12 connection technology for convenient installation
- Safe series connection in accordance with EN ISO 14119
- Flexible use, thanks to compact design
- Safe, cost-effective complete solution

## Commercial data

Item number	2702972
Packing unit	1 pc
Minimum order quantity	1 pc
Sales key	DNA611
Product key	DNA611
Catalog page	Page 213 (C-6-2019)
GTIN	4055626446899
Weight per piece (including packing)	40.8 g
Weight per piece (excluding packing)	40.8 g

# PSR-CT-C-SEN-1-8 - Safety switch sensor



2702972

<https://www.phoenixcontact.com/au/products/2702972>

Customs tariff number	85365019
Country of origin	DE

## Technical data

### Notes

#### Note on application

Note on application	Only for industrial use
---------------------	-------------------------

### Product properties

Product type	Safety switches
Product family	PSR-CT
Technology	Transponder
Application	Safety door monitoring Position monitoring
Design in accordance with EN ISO 14119	4
Encoding level in accordance with EN ISO 14119	high

#### Insulation characteristics

Protection class	III
------------------	-----

#### Insulation characteristics

Degree of pollution	3
---------------------	---

#### Times

Discrepancy time	max. 10 ms (between the safety outputs)
Switch-on delay	typ. 5 s (after switching $U_B$ on)
Switch-on time	max. 400 ms (for the safety outputs)
Risk time	max. 125 ms (Stand-alone device)
Test pulses	typ. 300 $\mu$ s (Test pulse duration) approx. 100 ms (Test pulse interval)
Delay time	typ. 10 ms (Risk time delay per device)

### Electrical properties

Switching frequency	max. 1 Hz
Short-circuit current	typ. 100 A (conditional short-circuit current)
Switching frequency	max. 1 Hz
Rated insulation voltage	max. 300 V
Rated surge voltage	max. 1.5 kV

#### Supply

Supply voltage	24 V DC $\pm$ 15 % (PELV, controlled, residual ripple < 5% )
Current consumption	max. 40 mA
Protection	min. 0.25 A (to be performed externally) max. 8 A (to be performed externally)
Contact switching type	2 safe digital outputs

### Output data

# PSR-CT-C-SEN-1-8 - Safety switch sensor



2702972

<https://www.phoenixcontact.com/au/products/2702972>

## Signal

Designation	DGN
Output description	p-wired
Number of outputs	1
Output voltage	min. ( $U_B - 1.5 \text{ V}$ (HIGH)) max. ( $U_B$ (HIGH)) min. 0 V DC (LOW) max. 1 V DC (LOW)
Current	min. 1 mA max. 50 mA
Short-circuit-proof	yes

## Safety output

Designation	FO1A, FO1B
Output description	Semiconductor outputs, p-wired
Number of outputs	2
Output voltage	min. ( $U_B - 1.5 \text{ V}$ (HIGH FO1A, FO1B)) max. ( $U_B$ (HIGH FO1A, FO1B)) min. 0 V DC (LOW FO1A/FO1B) max. 1 V DC (LOW FO1A/FO1B)
Switching current	min. 1 mA (per safety output) max. 150 mA (per safety output)
Residual current	$\leq 0.25 \text{ mA}$
Utilization category in accordance with IEC 60947-5-2	150 mA (24 V (DC13))
Short-circuit-proof	yes
Note on protection circuit	<b>NOTE:</b> Protect the outputs under inductive loads with a freewheeling diode.

## Connection data

### Connection technology

Connection technology	M12 connector
pluggable	no
Number of positions	8

### Conductor connection

Connection method	Connector
Connection technology	M12 connector

## Signaling

Status display	2 LEDs
----------------	--------

## Dimensions

# PSR-CT-C-SEN-1-8 - Safety switch sensor



2702972

<https://www.phoenixcontact.com/au/products/2702972>

Dimensional drawing	
Width	26.5 mm
Height	40 mm
Depth	18 mm
Minimum distance	140 mm (between two safety circuits) 7 mm (between sensor and actuator when traveling in the Y-direction)

## Material specifications

Color (Housing)	yellow (RAL 1018)
Housing material	PBT

## Characteristics

Safety data: EN ISO 13849

Category	4
Performance level (PL)	e

Safety data: IEC 61508 - High demand

Safety Integrity Level (SIL)	3
------------------------------	---

## Environmental and real-life conditions

Ambient conditions

Degree of protection	IP65/IP67/IP69/IP69K IP67 (with SAC cabling)
Ambient temperature (operation)	-25 °C ... 55 °C
Ambient temperature (storage/transport)	-40 °C ... 70 °C
Vibration (operation)	in accordance with EN 60947-5-2

## Approvals

Conformity/Approvals

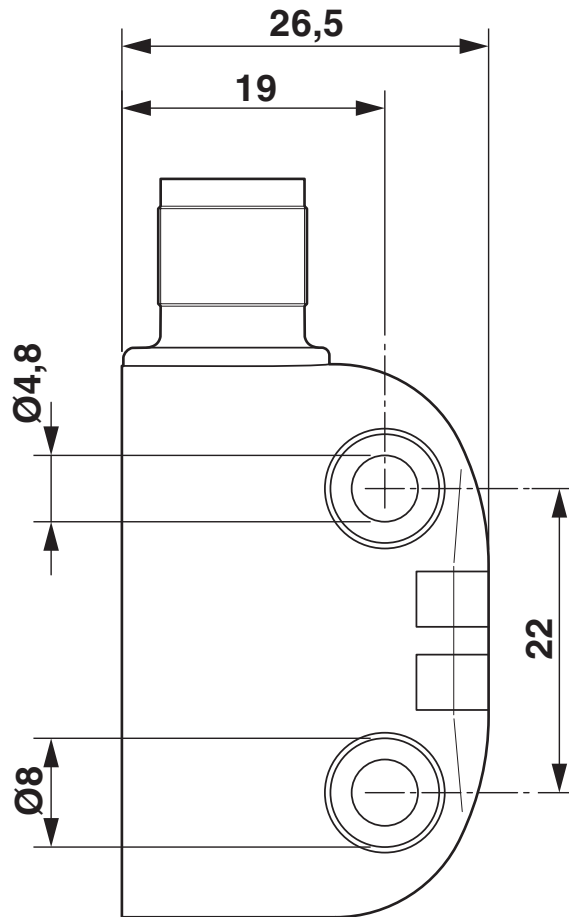
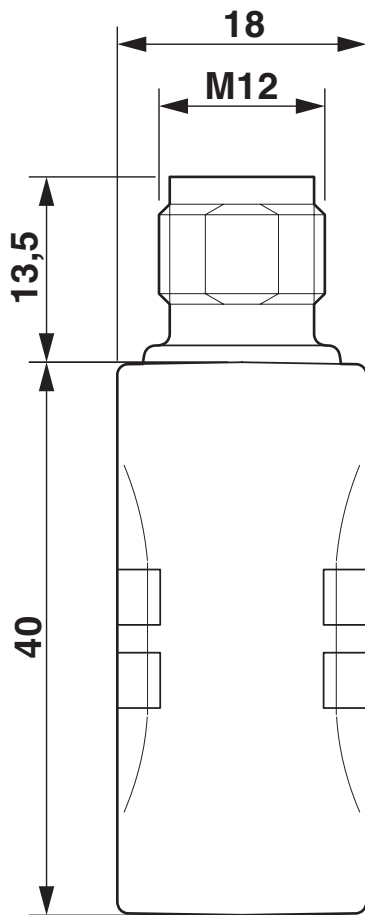
EMC conformance	EN 60947-5-3
-----------------	--------------

## Mounting

Mounting type	not flush
Assembly note	Note EN ISO 14119 max. tightening torque to secure: 0.8 Nm
Mounting position	any

Drawings

Dimensional drawing

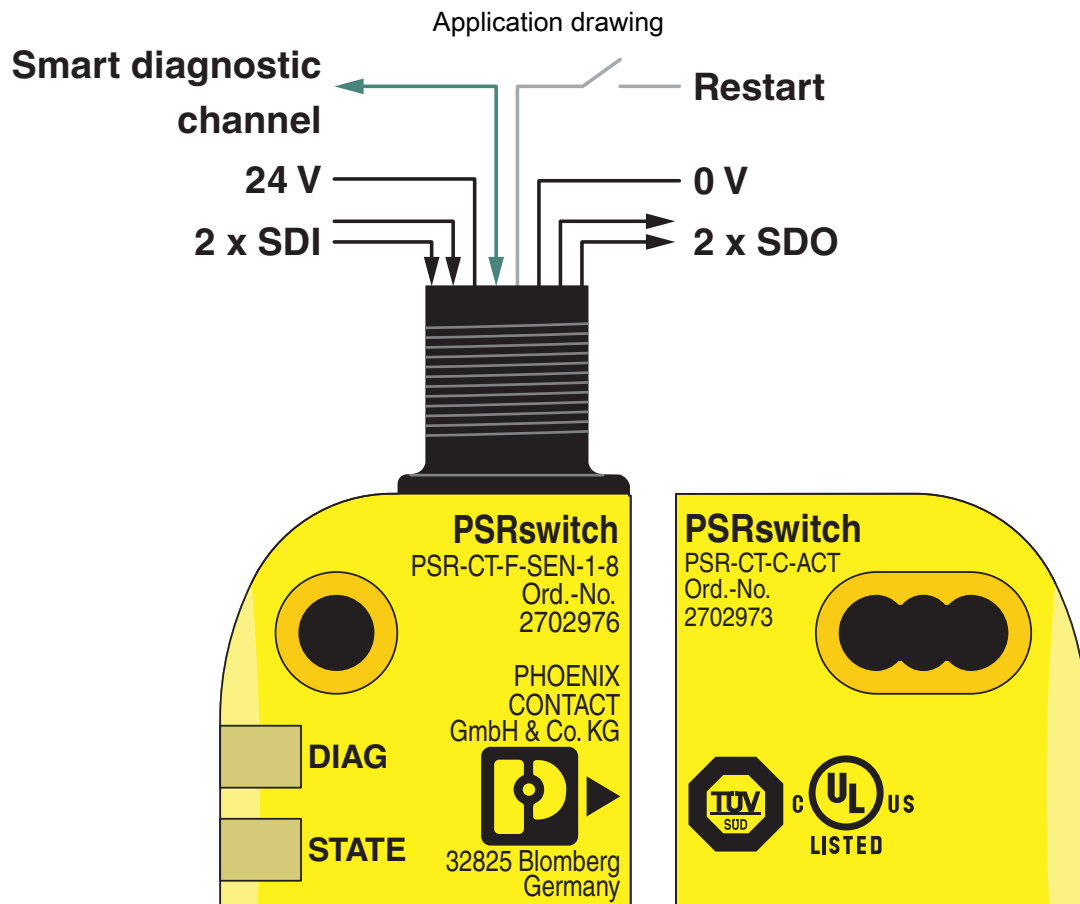


# PSR-CT-C-SEN-1-8 - Safety switch sensor



2702972

<https://www.phoenixcontact.com/au/products/2702972>



Application drawing



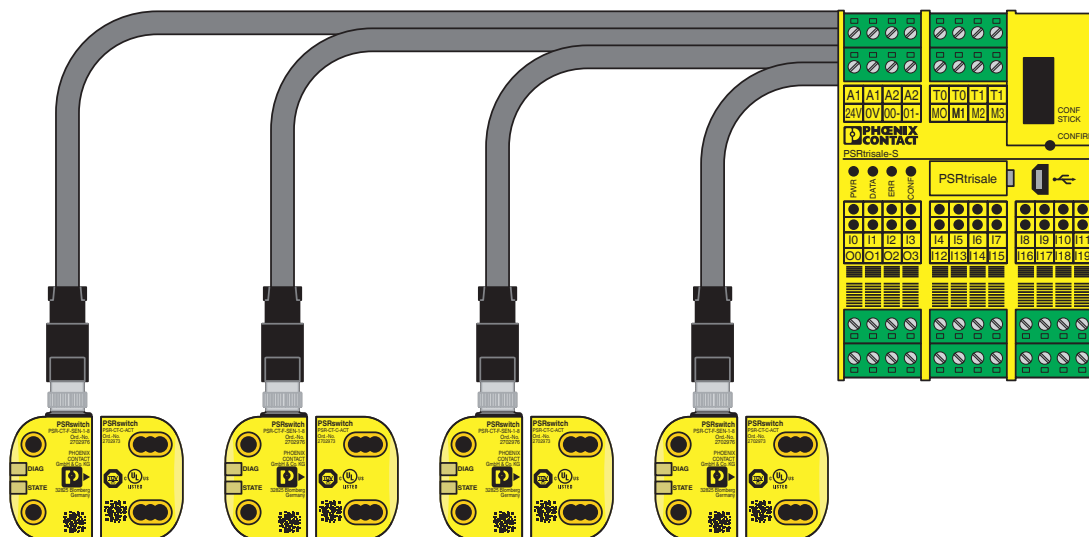
# PSR-CT-C-SEN-1-8 - Safety switch sensor



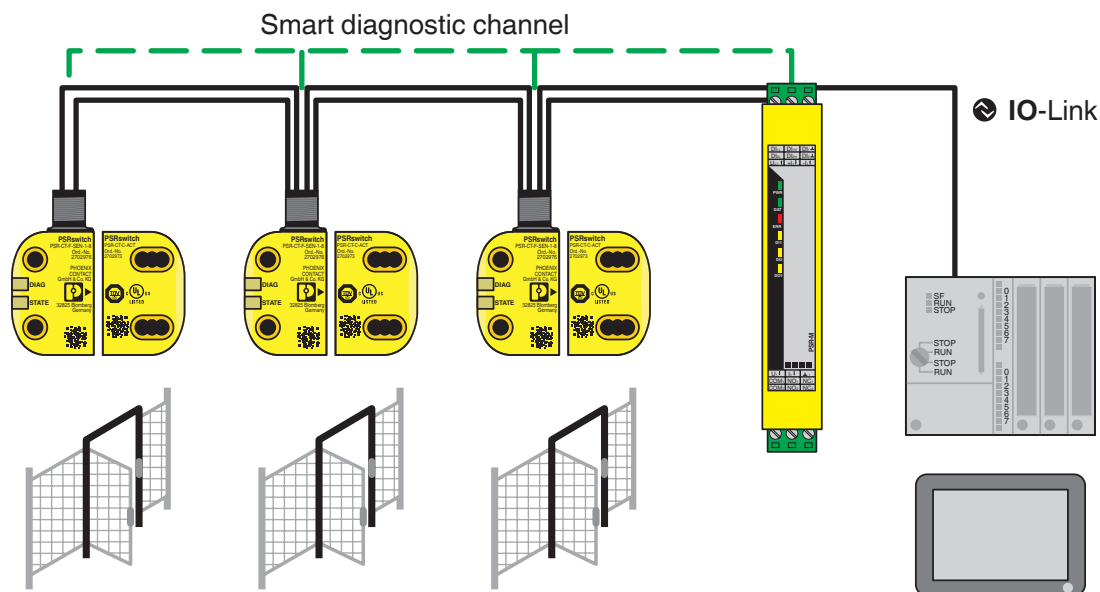
2702972

<https://www.phoenixcontact.com/au/products/2702972>

Application drawing



Application drawing



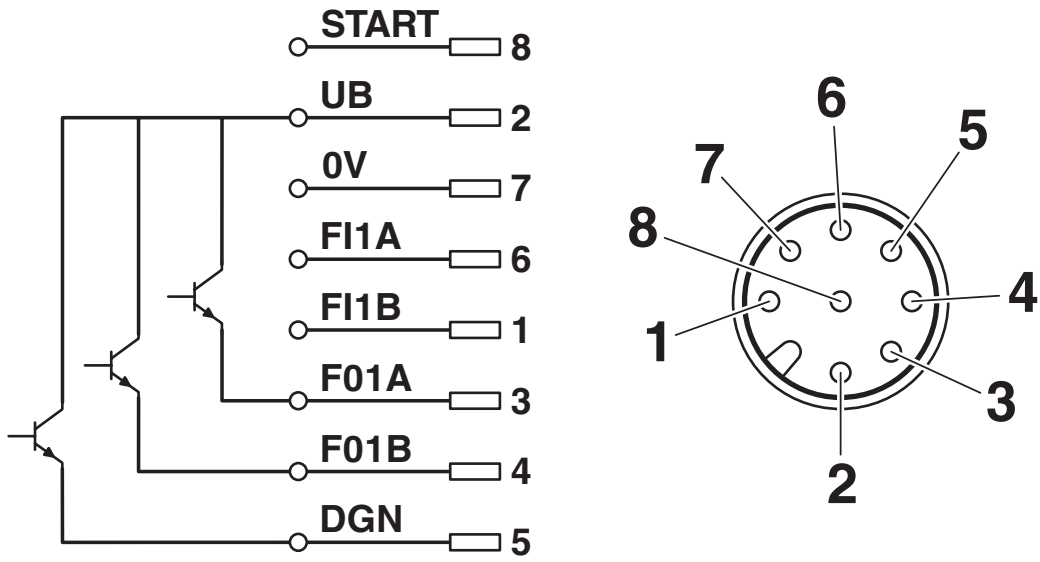


# PSR-CT-C-SEN-1-8 - Safety switch sensor

2702972

<https://www.phoenixcontact.com/au/products/2702972>

Connection diagram



# PSR-CT-C-SEN-1-8 - Safety switch sensor





2702972


<https://www.phoenixcontact.com/au/products/2702972>

## Approvals

To download certificates, visit the product detail page: <https://www.phoenixcontact.com/au/products/2702972>

 **UL Listed**  
Approval ID: E196162

 **cUL Listed**  
Approval ID: E196162

 **Functional Safety**  
Approval ID: Z10 029429 0033

**FCC**  
Approval ID: YG3-PSR1

**Industry Canada**  
Approval ID: 4720B-PSR1

# PSR-CT-C-SEN-1-8 - Safety switch sensor



2702972

<https://www.phoenixcontact.com/au/products/2702972>

## Classifications

### ECLASS

ECLASS-13.0

27274601

### ETIM

ETIM 9.0

EC003015

### UNSPSC

UNSPSC 21.0

32151800

# PSR-CT-C-SEN-1-8 - Safety switch sensor



2702972

<https://www.phoenixcontact.com/au/products/2702972>

## Environmental product compliance

### EU RoHS

Fulfills EU RoHS substance requirements	Yes
Exemption	6(c), 7(a), 7(c)-I

### China RoHS

Environment friendly use period (EFUP)	EFUP-50
	An article-related China RoHS declaration table can be found in the download area for the respective article under "Manufacturer declaration". For all articles with EFUP-E, no China RoHS declaration table issued and required.

### EU REACH SVHC

REACH candidate substance (CAS No.)	Lead titanium trioxide(CAS: 12060-00-3)
	Lead(CAS: 7439-92-1)
SCIP	176081b5-cb7c-4f70-a6c0-37a59f7b2b72

Phoenix Contact 2025 © - all rights reserved  
<https://www.phoenixcontact.com>

PHOENIX CONTACT PTY Ltd  
Unit 7, 2-8 South Street  
Rydalmere NSW 2116  
1300 786 411  
[customerservice@phoenixcontact.com.au](mailto:customerservice@phoenixcontact.com.au)