

# RAD-ISM-900-ANT-YAGI-6.5-N - Antenna



2867814

<https://www.phoenixcontact.com/au/products/2867814>

Please be informed that the data shown in this PDF document is generated from our online catalog. Please find the complete data in the user documentation. Our general terms of use for downloads are valid.

Directional antenna, 868 MHz/900 MHz, gain: 8.65 dBi, polarization: linear, opening angle: h/v 100°/62°, degree of protection: IP65, connection: N (female), incl. mounting bracket and mast clips



## Your advantages

- For large distances
- For point-to-point connections

## Commercial data

Item number	2867814
Packing unit	1 pc
Minimum order quantity	1 pc
Sales key	DNC6A3
Product key	DNC6A3
Catalog page	Page 390 (C-6-2019)
GTIN	4017918976699
Weight per piece (including packing)	1,321.1 g
Weight per piece (excluding packing)	1,236 g
Customs tariff number	85177100
Country of origin	US

# RAD-ISM-900-ANT-YAGI-6.5-N - Antenna



2867814

<https://www.phoenixcontact.com/au/products/2867814>

## Technical data

### Notes

#### Note on application

Note on application	Only for industrial use
---------------------	-------------------------

### Product properties

Product type	Antenna
Gain	8.65 dBi
Vertical beamwidth	62 °
Horizontal beamwidth	100 °
Polarization	Linear vertical or horizontal

### Electrical properties

Frequency band	900 MHz
Frequency range	868 MHz ... 960 MHz
Impedance	50 Ω
Maximum capacity	200.00 W
Voltage standing wave ratio VSWR in a 50 Ω system	≤ 1.50

### Connection data

#### Connection technology

Connection method	N (female) with cable (0.6 m)
Outside diameter	32 mm ... 60 mm (Mast)

### Ex data

#### Safety data

Input power $P_i$	≤ 1 W (30 dB)
-------------------	---------------

### Dimensions

Width	60.5 mm
Height	172 mm
Length	304.8 mm

#### External dimensions

Outside diameter	32 mm ... 60 mm (Mast)
------------------	------------------------

### Material specifications

Material	Aluminum
	V2A
	V2A

### Cable/line

# RAD-ISM-900-ANT-YAGI-6.5-N - Antenna



2867814

<https://www.phoenixcontact.com/au/products/2867814>

Cable length	0.60 m
Connecting cable	yes

## Environmental and real-life conditions

### Ambient conditions

Degree of protection	IP65
Ambient temperature (operation)	-40 °C ... 80 °C
Wind velocity	15.4321 km/h

## Mounting

Mounting type	Mast mounting
---------------	---------------

# RAD-ISM-900-ANT-YAGI-6.5-N - Antenna

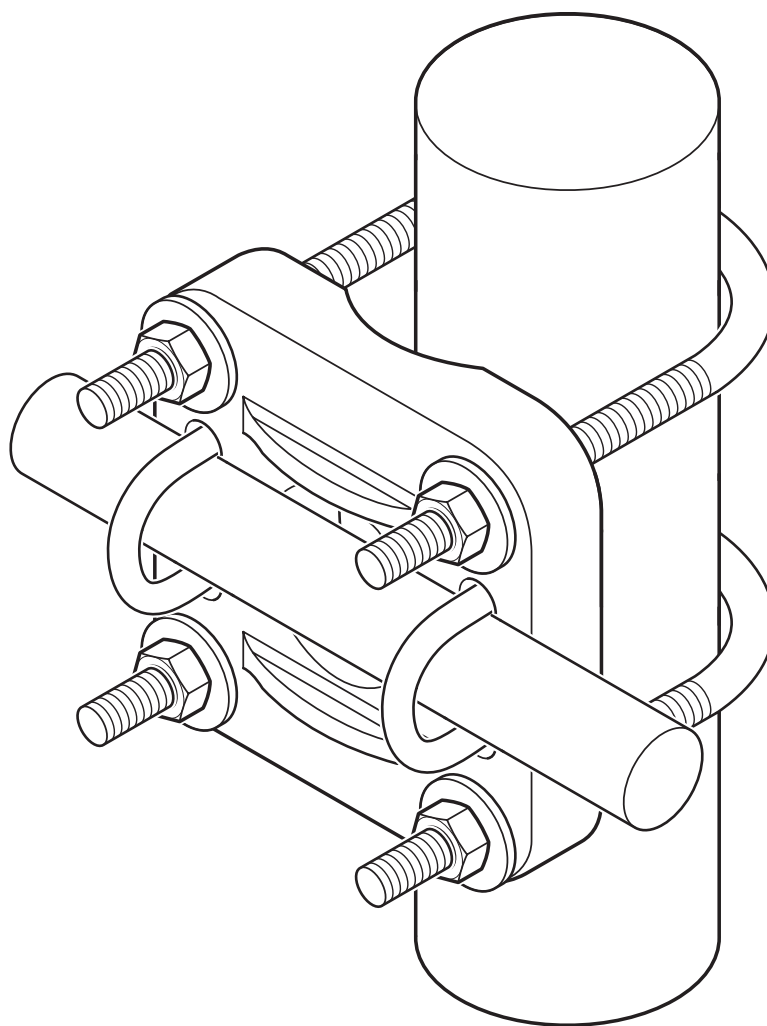


2867814

<https://www.phoenixcontact.com/au/products/2867814>

## Drawings

Schematic diagram



Mast mounting

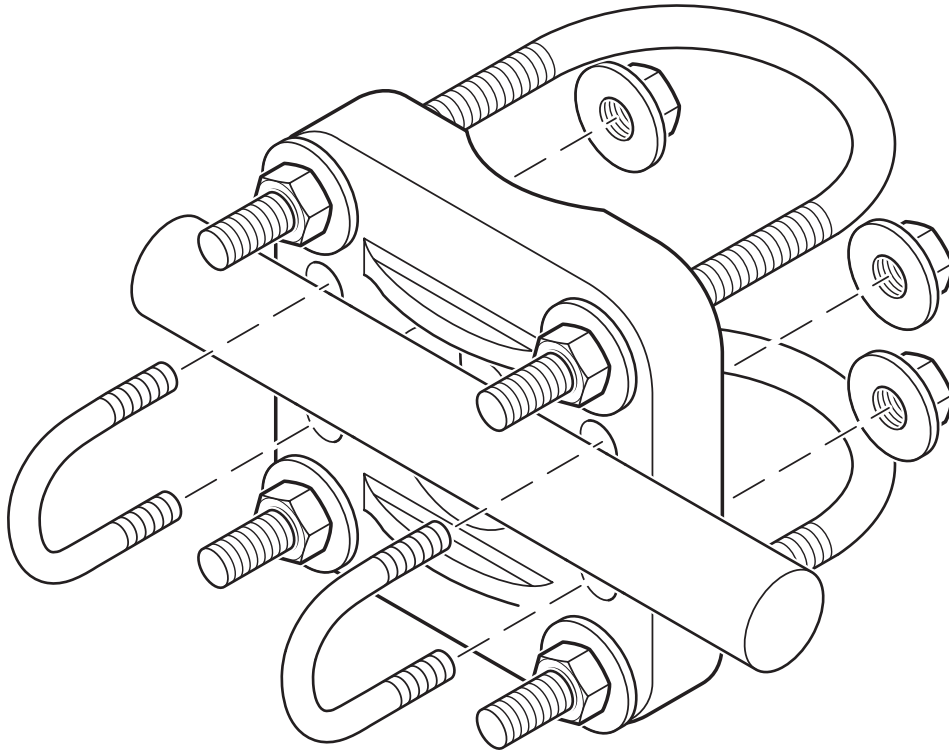
# RAD-ISM-900-ANT-YAGI-6.5-N - Antenna



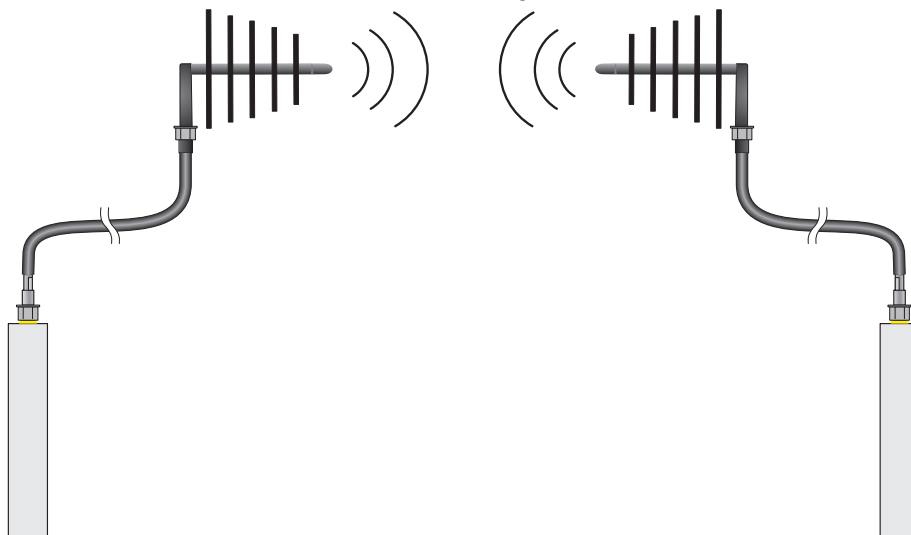
2867814

<https://www.phoenixcontact.com/au/products/2867814>

Schematic diagram



Schematic diagram



# RAD-ISM-900-ANT-YAGI-6.5-N - Antenna



2867814

<https://www.phoenixcontact.com/au/products/2867814>

## Classifications

### ECLASS

ECLASS-13.0

19070105

### ETIM

ETIM 9.0

EC001698

### UNSPSC

UNSPSC 21.0

43223100

2867814

<https://www.phoenixcontact.com/au/products/2867814>

## Environmental product compliance

### EU RoHS

Fulfills EU RoHS substance requirements	Yes
Exemption	6(c)

### China RoHS

Environment friendly use period (EFUP)	EFUP-50
	An article-related China RoHS declaration table can be found in the download area for the respective article under "Manufacturer declaration". For all articles with EFUP-E, no China RoHS declaration table issued and required.

### EU REACH SVHC

REACH candidate substance (CAS No.)	Lead(CAS: 7439-92-1)
SCIP	3ddf8f61-b9c4-4655-8074-ccd6fc17d613

Phoenix Contact 2025 © - all rights reserved

<https://www.phoenixcontact.com>

PHOENIX CONTACT PTY Ltd

Unit 7, 2-8 South Street

Rydalmere NSW 2116

1300 786 411

[customerservice@phoenixcontact.com.au](mailto:customerservice@phoenixcontact.com.au)