

# RIF-T3-24UC - Timer module



2902647

<https://www.phoenixcontact.com/au/products/2902647>

Please be informed that the data shown in this PDF document is generated from our online catalog. Please find the complete data in the user documentation. Our general terms of use for downloads are valid.



Plug-in module for extending a relay module to create a timer relay, 3 time functions, 4 time ranges, for mounting on RIF-1, RIF-2, RIF-3, and RIF-4, input voltage: 12 V DC ... 24 V DC

## Commercial data

Item number	2902647
Packing unit	5 pc
Minimum order quantity	5 pc
Sales key	DK6545
Product key	DK6545
Catalog page	Page 258 (C-5-2019)
GTIN	4046356668880
Weight per piece (including packing)	5.63 g
Weight per piece (excluding packing)	5.1 g
Customs tariff number	85363010
Country of origin	DE

## Technical data

### Notes

#### Utilization restriction

EMC note	EMC: class A product, see manufacturer's declaration in the download area
----------	---

### Product properties

Product type	Plug-in module
Product family	RIFLINE complete

#### Insulation characteristics: Air clearances and creepage distances in a circuit

Insulation	Basic insulation
Overvoltage category	I
Pollution degree	2

### Electrical properties

Setting accuracy	3 % (of scale end value)
Nominal voltage $U_N$	24 V AC/DC
Repeat accuracy	1 %

#### Air clearances and creepage distances in a circuit

Rated insulation voltage	50 V DC
Rated surge voltage	0.4 kV

### Input data

Nominal input voltage $U_N$	24 V DC (AC operation only permitted for RIF-1)
Input voltage range in reference to $U_N$	0.4 ... 1.2
Mains frequency	50 Hz 60 Hz
Status display	LED (yellow)
Protective circuit	Varistor
Surge voltage protection	> 56 V

### Output data

Limiting continuous current	≤ 250 mA (Relay coil current)
Voltage drop at max. limiting continuous current	< 100 mV

### Dimensions

Width	13 mm
Height	12 mm
Depth	35 mm

### Environmental and real-life conditions

# RIF-T3-24UC - Timer module



2902647

<https://www.phoenixcontact.com/au/products/2902647>

## Ambient conditions

Ambient temperature (operation)	-25 °C ... 50 °C (RIF-1, AC coil, 2 changeover contacts at 6 A)
	-25 °C ... 50 °C (RIF-1, DC coil, 2 changeover contacts at 5 A)
	-25 °C ... 40 °C (RIF-2, DC coil, 2 changeover contacts at 8 A)
	-25 °C ... 40 °C (RIF-2, DC coil, 4 changeover contacts at 5 A)
	-25 °C ... 40 °C (RIF-3, DC coil, 3 changeover contacts at 6.75 A)
	-25 °C ... 40 °C (RIF-3, DC coil, 2 changeover contacts at 8 A)
	-25 °C ... 35 °C (RIF-4, DC coil, 3 changeover contacts at 8 A)
	-25 °C ... 25 °C (RIF-4, DC coil, 3 N/O contacts at 8 A)
Ambient temperature (storage/transport)	-25 °C ... 85 °C

## Approvals

### UKCA

Certificate	UKCA-compliant
-------------	----------------

### Corrosive gas test

Identification	ISA-S71.04. G3 Harsh Group
	EN 60068-2-60

## Standards and regulations

### Air clearances and creepage distances in a circuit

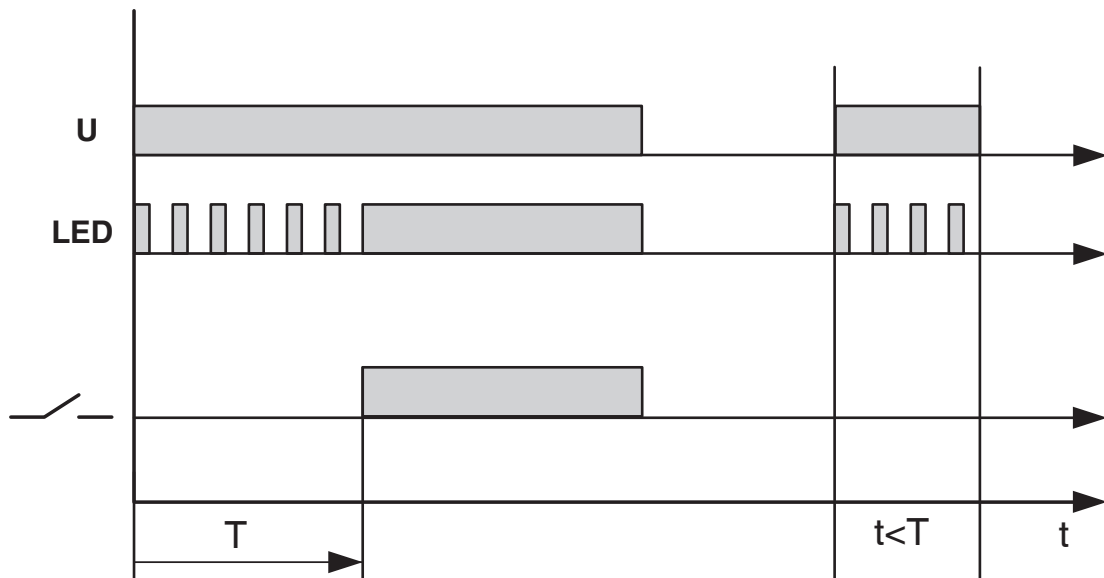
Standards/regulations	IEC 60947-5-1
-----------------------	---------------

## Mounting

Assembly note	Can be inserted into relay base
Mounting position	any

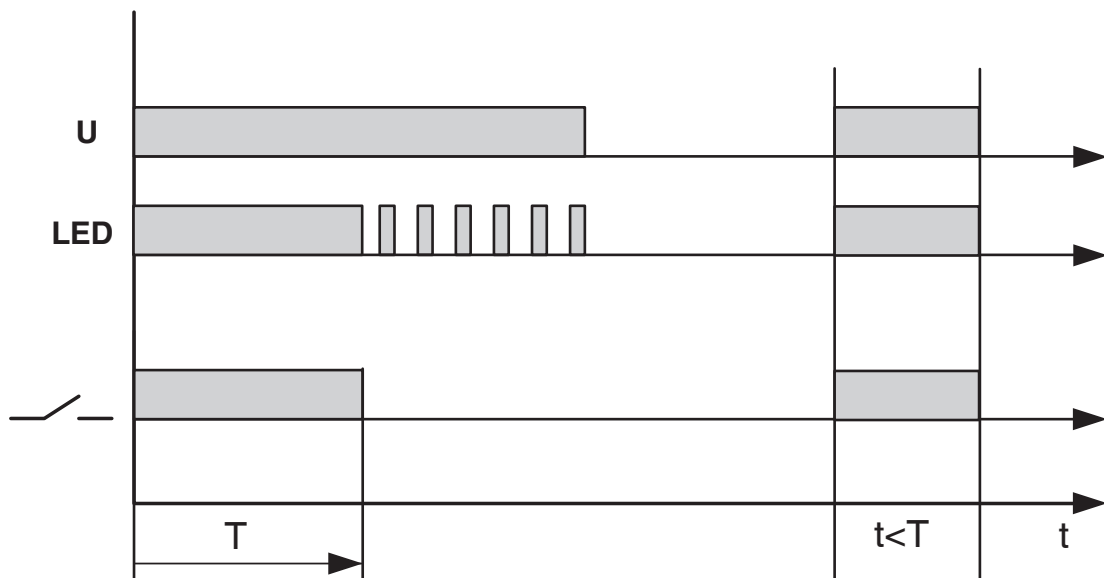
## Drawings

Diagram



With switch-on delay

Diagram



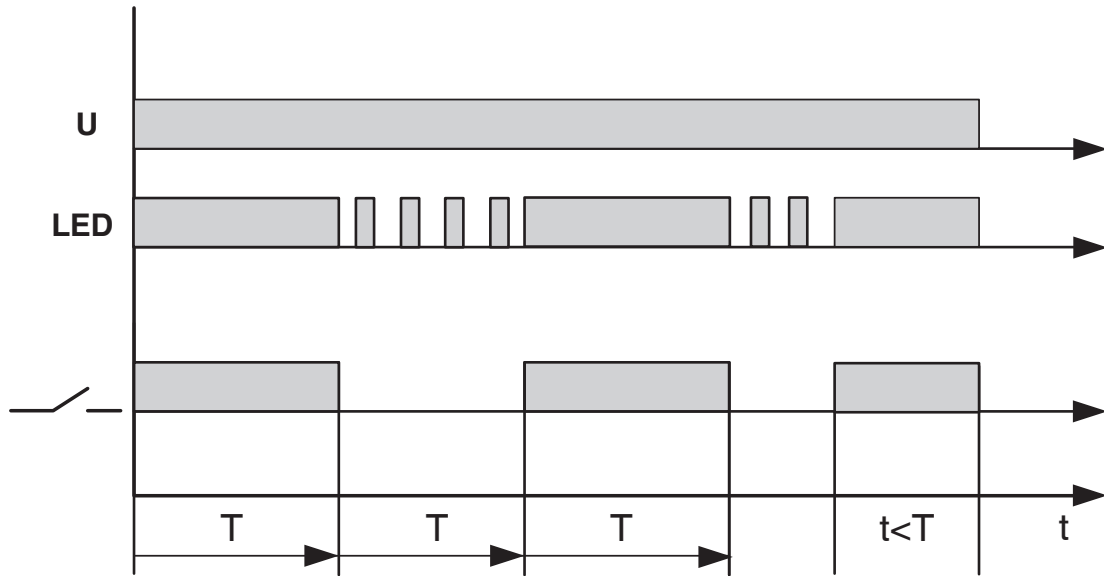
With passing make contact

# RIF-T3-24UC - Timer module

2902647

<https://www.phoenixcontact.com/au/products/2902647>

Diagram



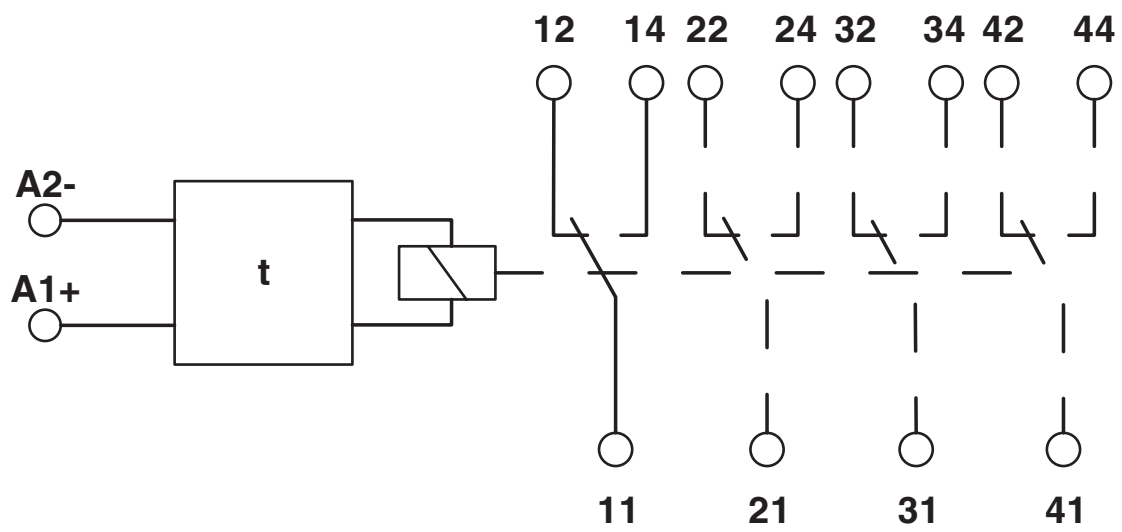
Flasher/pulse generator

# RIF-T3-24UC - Timer module

2902647

<https://www.phoenixcontact.com/au/products/2902647>

Circuit diagram



# RIF-T3-24UC - Timer module



2902647

<https://www.phoenixcontact.com/au/products/2902647>

## Approvals

To download certificates, visit the product detail page: <https://www.phoenixcontact.com/au/products/2902647>



**CSA**

Approval ID: 76787



**UL Recognized**

Approval ID: FILE E 113228



**EAC**

Approval ID: RU\*DE.\*08.B.01536/19

**DNV**

Approval ID: TAA000018V

# RIF-T3-24UC - Timer module



2902647

<https://www.phoenixcontact.com/au/products/2902647>

## Classifications

### ECLASS

ECLASS-13.0

27371692

### ETIM

ETIM 9.0

EC002586

### UNSPSC

UNSPSC 21.0

39122300



# RIF-T3-24UC - Timer module



2902647

<https://www.phoenixcontact.com/au/products/2902647>

## Environmental product compliance

### EU RoHS

Fulfills EU RoHS substance requirements	Yes
Exemption	7(c)-I

### China RoHS

Environment friendly use period (EFUP)	EFUP-50
	An article-related China RoHS declaration table can be found in the download area for the respective article under "Manufacturer declaration". For all articles with EFUP-E, no China RoHS declaration table issued and required.

### EU REACH SVHC

REACH candidate substance (CAS No.)	No substance above 0.1 wt%
-------------------------------------	----------------------------

Phoenix Contact 2025 © - all rights reserved  
<https://www.phoenixcontact.com>

PHOENIX CONTACT PTY Ltd  
Unit 7, 2-8 South Street  
Rydalmere NSW 2116  
1300 786 411  
[customerservice@phoenixcontact.com.au](mailto:customerservice@phoenixcontact.com.au)