

UTMED 4-PE - Protective conductor terminal block



3047478

<https://www.phoenixcontact.com/au/products/3047478>

Please be informed that the data shown in this PDF document is generated from our online catalog. Please find the complete data in the user documentation. Our general terms of use for downloads are valid.



Protective conductor terminal block, number of connections: 2, connection method: Screw connection, cross section: 0.14 mm² - 6 mm², mounting type: NS 35/7,5, NS 35/15, color: green-yellow

Commercial data

Item number	3047478
Packing unit	50 pc
Minimum order quantity	50 pc
Sales key	BE1133
Product key	BE1133
Catalog page	Page 169 (C-1-2019)
GTIN	4046356661928
Weight per piece (including packing)	16.498 g
Weight per piece (excluding packing)	16.498 g
Customs tariff number	85369010
Country of origin	PL

UTMED 4-PE - Protective conductor terminal block



3047478

<https://www.phoenixcontact.com/au/products/3047478>

Technical data

Product properties

Product type	Ground terminal block
Product family	UTMED
Number of connections	2
Number of rows	1

Insulation characteristics

Overvoltage category	III
Degree of pollution	3

Electrical properties

Rated surge voltage	6 kV
Maximum power dissipation for nominal condition	1.02 W

Connection data

Number of connections per level	2
Nominal cross section	4 mm ²

Level 1 above 1 below 1

Screw thread	M3
Note	Please observe the current carrying capacity of the DIN rails.
Tightening torque	0.6 ... 0.8 Nm
Stripping length	9 mm
Internal cylindrical gage	A4
Connection in acc. with standard	IEC 60947-7-2
Conductor cross section rigid	0.14 mm ² ... 6 mm ²
Cross section AWG	26 ... 10 (converted acc. to IEC)
Conductor cross section flexible	0.14 mm ² ... 6 mm ²
Conductor cross section, flexible [AWG]	26 ... 10 (converted acc. to IEC)
Conductor cross-section flexible (ferrule without plastic sleeve)	0.14 mm ² ... 4 mm ²
Flexible conductor cross section (ferrule with plastic sleeve)	0.14 mm ² ... 4 mm ²

Dimensions

Width	6.2 mm
End cover width	2.2 mm
Height	66 mm
Depth on NS 35/7,5	49.5 mm
Depth on NS 35/15	57 mm

Material specifications

Color	green-yellow
Flammability rating according to UL 94	V0
Insulating material group	I

UTMED 4-PE - Protective conductor terminal block



3047478

<https://www.phoenixcontact.com/au/products/3047478>

Insulating material	PA
Static insulating material application in cold	-60 °C
Temperature index of insulation material (DIN EN 60216-1 (VDE 0304-21))	130 °C
Relative insulation material temperature index (Elec., UL 746 B)	130 °C
Fire protection for rail vehicles (DIN EN 45545-2) R22	HL 1 - HL 3
Fire protection for rail vehicles (DIN EN 45545-2) R23	HL 1 - HL 3
Fire protection for rail vehicles (DIN EN 45545-2) R24	HL 1 - HL 3
Fire protection for rail vehicles (DIN EN 45545-2) R26	HL 1 - HL 3
Calorimetric heat release NFPA 130 (ASTM E 1354)	28 MJ/kg
Surface flammability NFPA 130 (ASTM E 162)	passed
Specific optical density of smoke NFPA 130 (ASTM E 662)	passed
Smoke gas toxicity NFPA 130 (SMP 800C)	passed

Mechanical properties

Mechanical data

Open side panel	Yes
-----------------	-----

Environmental and real-life conditions

Oscillation/broadband noise

Specification	DIN EN 50155 (VDE 0115-200):2018-05
Spectrum	Long life test category 2, bogie-mounted
Frequency	$f_1 = 5 \text{ Hz}$ to $f_2 = 250 \text{ Hz}$
ASD level	6.12 (m/s ²)/Hz
Acceleration	3.12g
Test duration per axis	5 h
Test directions	X-, Y- and Z-axis

Shocks

Pulse shape	Half-sine
Acceleration	30g
Shock duration	18 ms
Number of shocks per direction	3
Test directions	X-, Y- and Z-axis (pos. and neg.)

Ambient conditions

Ambient temperature (operation)	-60 °C ... 110 °C (Operating temperature range incl. self-heating; for max. short-term operating temperature, see RTI Elec.)
Ambient temperature (storage/transport)	-25 °C ... 60 °C (for a short time, not exceeding 24 h, -60 °C to +70 °C)
Ambient temperature (assembly)	-5 °C ... 70 °C
Ambient temperature (actuation)	-5 °C ... 70 °C
Permissible humidity (operation)	20 % ... 90 %
Permissible humidity (storage/transport)	30 % ... 70 %

UTMED 4-PE - Protective conductor terminal block



3047478

<https://www.phoenixcontact.com/au/products/3047478>

Standards and regulations

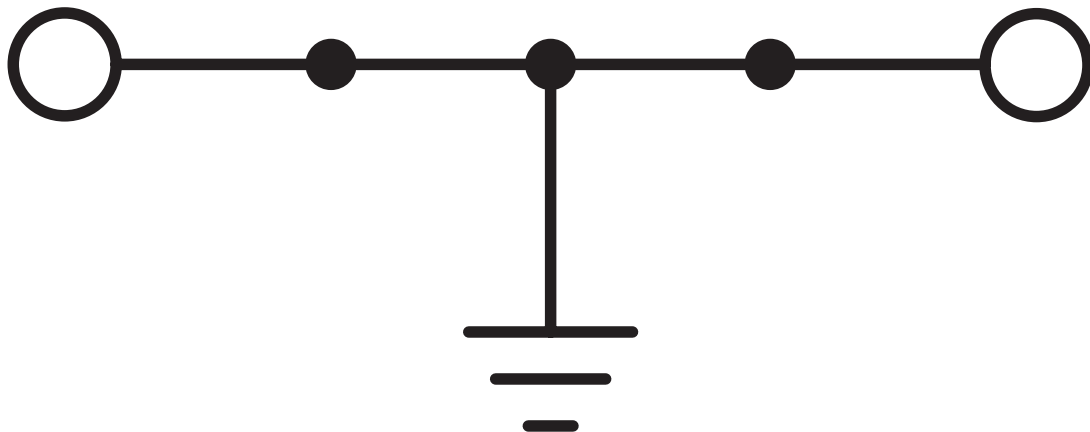
Connection in acc. with standard	IEC 60947-7-2
----------------------------------	---------------

Mounting

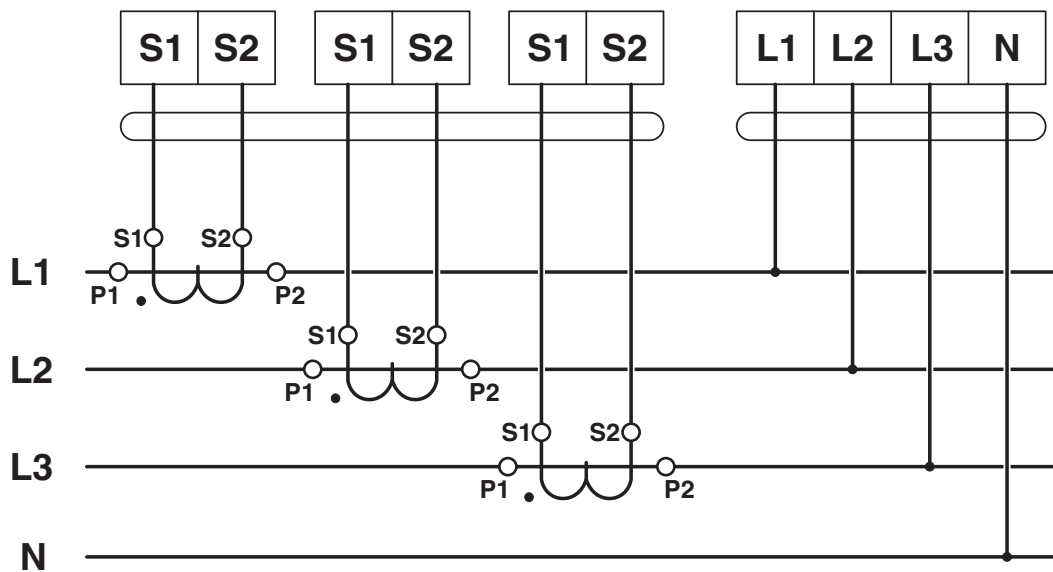
Mounting type	NS 35/7,5
	NS 35/15

Drawings

Circuit diagram



Circuit diagram



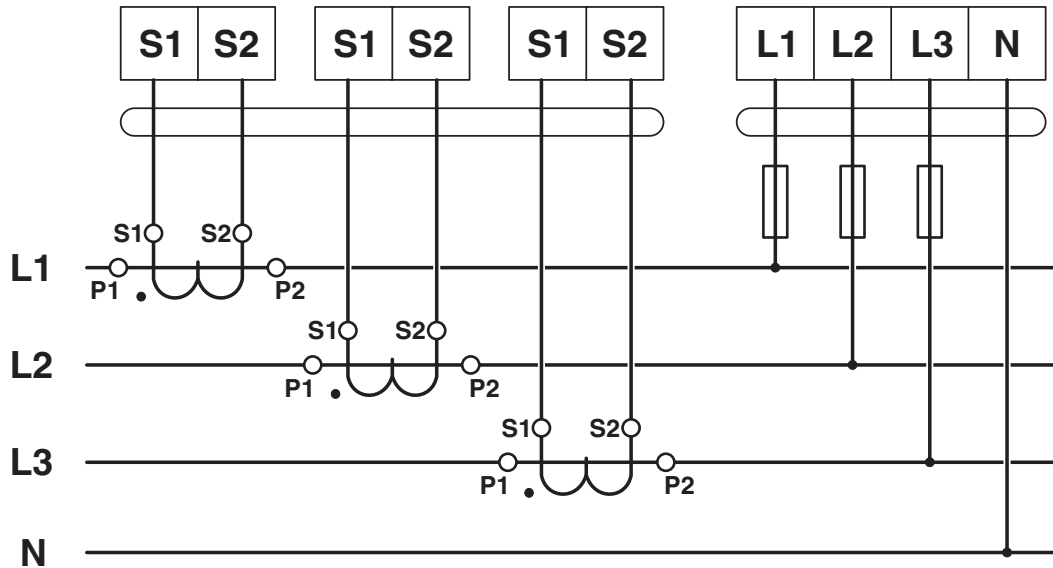
UTMED 4-PE - Protective conductor terminal block



3047478

<https://www.phoenixcontact.com/au/products/3047478>

Circuit diagram



UTMED 4-PE - Protective conductor terminal block



3047478

<https://www.phoenixcontact.com/au/products/3047478>

Approvals

To download certificates, visit the product detail page: <https://www.phoenixcontact.com/au/products/3047478>



CSA

Approval ID: 13631



cULus Recognized

Approval ID: E60425



CSA

Approval ID: 13631



cULus Recognized

Approval ID: E60425

UTMED 4-PE - Protective conductor terminal block



3047478

<https://www.phoenixcontact.com/au/products/3047478>

Classifications

ECLASS

ECLASS-13.0

27250109

ETIM

ETIM 9.0

EC000902

UNSPSC

UNSPSC 21.0

39121400

UTMED 4-PE - Protective conductor terminal block



3047478

<https://www.phoenixcontact.com/au/products/3047478>

Environmental product compliance

EU RoHS

Fulfills EU RoHS substance requirements	Yes
Exemption	6(c)

China RoHS

Environment friendly use period (EFUP)	EFUP-50
	An article-related China RoHS declaration table can be found in the download area for the respective article under "Manufacturer declaration". For all articles with EFUP-E, no China RoHS declaration table issued and required.

EU REACH SVHC

REACH candidate substance (CAS No.)	Lead(CAS: 7439-92-1)
SCIP	265c0a47-ac99-4e3c-9762-f241d43ffc4a

Phoenix Contact 2025 © - all rights reserved

<https://www.phoenixcontact.com>

PHOENIX CONTACT PTY Ltd

Unit 7, 2-8 South Street

Rydalmere NSW 2116

1300 786 411

customerservice@phoenixcontact.com.au