

PTME 4 WH - Test disconnect terminal block



3212140

<https://www.phoenixcontact.com/au/products/3212140>

Please be informed that the data shown in this PDF document is generated from our online catalog. Please find the complete data in the user documentation. Our general terms of use for downloads are valid.



Test disconnect terminal block, nom. voltage: 500 V, nominal current: 24 A, number of connections: 2, connection method: Push-in connection, Rated cross section: 4 mm², 1 level, cross section: 0.2 mm² - 6 mm², mounting type: NS 35/7,5, NS 35/15, color: white

Commercial data

Item number	3212140
Packing unit	50 pc
Minimum order quantity	50 pc
Sales key	BE2233
Product key	BE2233
GTIN	4046356681834
Weight per piece (including packing)	14.271 g
Weight per piece (excluding packing)	14.127 g
Customs tariff number	85369010
Country of origin	PL

PTME 4 WH - Test disconnect terminal block



3212140

<https://www.phoenixcontact.com/au/products/3212140>

Technical data

Product properties

Product type	Test disconnect terminal block
Number of connections	2
Number of rows	1
Potentials	1

Insulation characteristics

Overvoltage category	III
----------------------	-----

Electrical properties

Rated surge voltage	6 kV
Maximum power dissipation for nominal condition	1.02 W

Connection data

Number of connections per level	2
Nominal cross section	4 mm ²

1 level

Stripping length	10 mm ... 12 mm
Internal cylindrical gage	A4
Connection in acc. with standard	IEC 60947-7-1
Conductor cross section rigid	0.2 mm ² ... 6 mm ²
Cross section AWG	24 ... 10 (converted acc. to IEC)
Conductor cross section flexible	0.2 mm ² ... 4 mm ²
Conductor cross section, flexible [AWG]	24 ... 12 (converted acc. to IEC)
Conductor cross-section flexible (ferrule without plastic sleeve)	0.25 mm ² ... 4 mm ²
Flexible conductor cross section (ferrule with plastic sleeve)	0.25 mm ² ... 4 mm ²
2 conductors with the same cross section, flexible, with TWIN ferrule with plastic sleeve	0.5 mm ² ... 1 mm ²
Nominal current	24 A
Maximum load current	24 A
Nominal voltage	500 V
Nominal cross section	4 mm ²

1 level Connection cross sections directly pluggable

Conductor cross section rigid	0.5 mm ² ... 6 mm ²
Conductor cross-section flexible (ferrule without plastic sleeve)	0.5 mm ² ... 4 mm ²
Flexible conductor cross section (ferrule with plastic sleeve)	0.5 mm ² ... 4 mm ²

Dimensions

Width	6.2 mm
End cover width	2.2 mm
Height	70.5 mm

PTME 4 WH - Test disconnect terminal block



3212140

<https://www.phoenixcontact.com/au/products/3212140>

Depth	48.8 mm
Depth on NS 35/7,5	49.5 mm
Depth on NS 35/15	57 mm

Material specifications

Color	white (RAL 9010)
Flammability rating according to UL 94	V0
Insulating material group	I
Insulating material	PA
Static insulating material application in cold	-60 °C
Relative insulation material temperature index (Elec., UL 746 B)	130 °C
Fire protection for rail vehicles (DIN EN 45545-2) R22	HL 1 - HL 3
Fire protection for rail vehicles (DIN EN 45545-2) R23	HL 1 - HL 3
Fire protection for rail vehicles (DIN EN 45545-2) R24	HL 1 - HL 3
Fire protection for rail vehicles (DIN EN 45545-2) R26	HL 1 - HL 3
Surface flammability NFPA 130 (ASTM E 162)	passed
Specific optical density of smoke NFPA 130 (ASTM E 662)	passed
Smoke gas toxicity NFPA 130 (SMP 800C)	passed

Mechanical properties

Mechanical data

Open side panel	Yes
-----------------	-----

Environmental and real-life conditions

Ambient conditions

Ambient temperature (operation)	-60 °C ... 110 °C (Operating temperature range incl. self-heating; for max. short-term operating temperature, see RTI Elec.)
Ambient temperature (storage/transport)	-25 °C ... 60 °C (for a short time, not exceeding 24 h, -60 °C to +70 °C)
Ambient temperature (assembly)	-5 °C ... 70 °C
Ambient temperature (actuation)	-5 °C ... 70 °C
Permissible humidity (operation)	20 % ... 90 %
Permissible humidity (storage/transport)	30 % ... 70 %

Standards and regulations

Connection in acc. with standard	IEC 60947-7-1
----------------------------------	---------------

Mounting

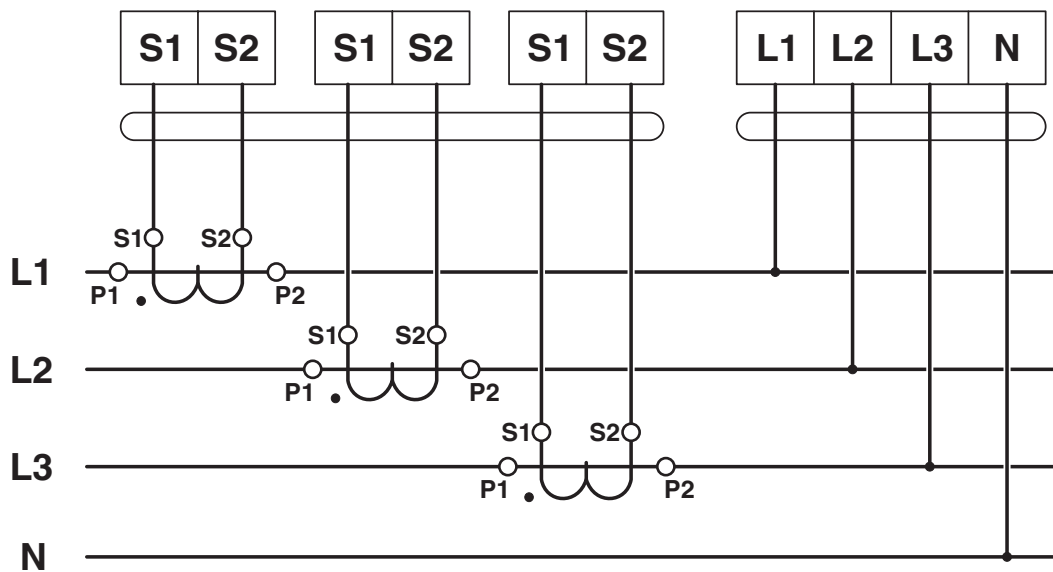
Mounting type	NS 35/7,5
	NS 35/15
Assembly note	For isolation purposes, the screw head in NS 35/7,5 DIN rails may not exceed a height of 5 mm including the washer.

Drawings

Circuit diagram



Circuit diagram



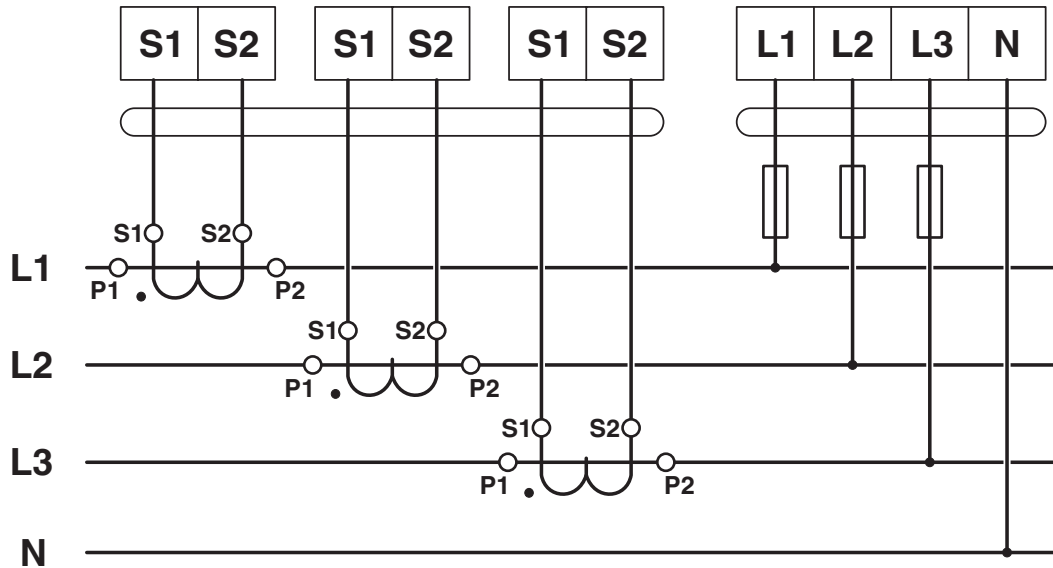
PTME 4 WH - Test disconnect terminal block



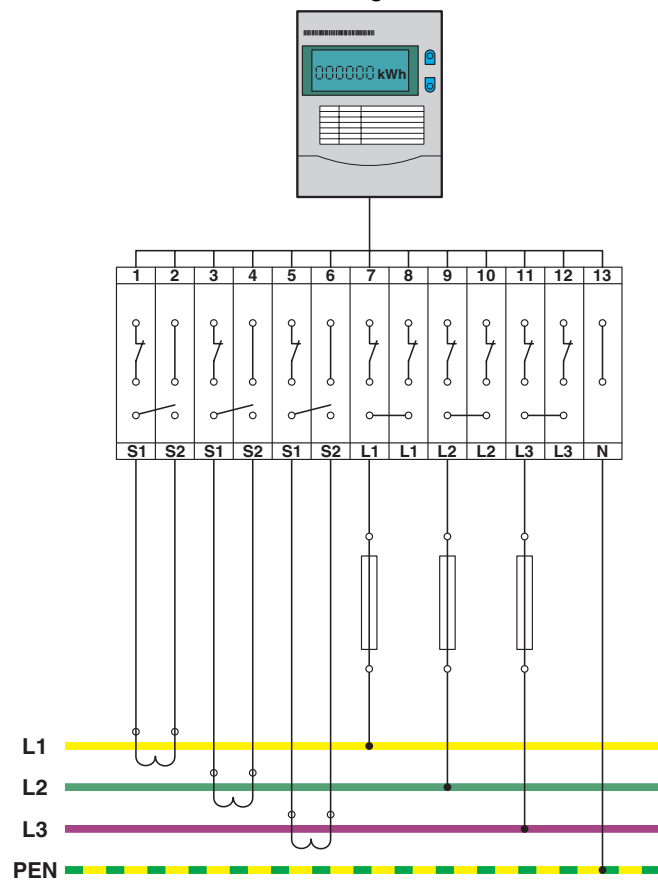
3212140

<https://www.phoenixcontact.com/au/products/3212140>

Circuit diagram



Circuit diagram



PTME 4 WH - Test disconnect terminal block



3212140

<https://www.phoenixcontact.com/au/products/3212140>

Approvals

To download certificates, visit the product detail page: <https://www.phoenixcontact.com/au/products/3212140>



EAC

Approval ID: RU C-DE.BL08.B.00644



cULus Recognized

Approval ID: E60425



cULus Recognized

Approval ID: E60425



cULus Recognized

Approval ID: E60425



EAC

Approval ID: KZ7500651131219505



CSA

Approval ID: 2030668

	Nominal voltage U_N	Nominal current I_N	Cross section AWG	Cross section mm^2
Use group B	300 V	26 A	24 - 10	-
Use group C	300 V	26 A	24 - 10	-

PTME 4 WH - Test disconnect terminal block



3212140

<https://www.phoenixcontact.com/au/products/3212140>

Classifications

ECLASS

ECLASS-13.0

27250109

ETIM

ETIM 9.0

EC000902

UNSPSC

UNSPSC 21.0

39121400

PTME 4 WH - Test disconnect terminal block



3212140

<https://www.phoenixcontact.com/au/products/3212140>

Environmental product compliance

EU RoHS

Fulfills EU RoHS substance requirements	Yes, No exemptions
---	--------------------

China RoHS

Environment friendly use period (EFUP)	EFUP-E
	No hazardous substances above the limits

EU REACH SVHC

REACH candidate substance (CAS No.)	No substance above 0.1 wt%
-------------------------------------	----------------------------

Phoenix Contact 2025 © - all rights reserved
<https://www.phoenixcontact.com>

PHOENIX CONTACT PTY Ltd
Unit 7, 2-8 South Street
Rydalmere NSW 2116
1300 786 411
customerservice@phoenixcontact.com.au