

PSBJ 3,5/18/6 BU - Test plug strip



0311333

<https://www.phoenixcontact.com/au/products/0311333>

Please be informed that the data shown in this PDF document is generated from our online catalog. Please find the complete data in the user documentation. Our general terms of use for downloads are valid.



Test plug strip, number of positions: 1, color: blue

Your advantages

- The test socket PSBJ... is used in place of the normal bridge screw and ensures the voltage pick-off on a bridged group of terminals
- The test sockets are tailored to the special applications encountered in the power supply industry

Commercial data

Item number	0311333
Packing unit	10 pc
Minimum order quantity	10 pc
Sales key	BE1Z3X
Product key	BE1Z3X
Catalog page	Page 586 (C-1-2019)
GTIN	4017918001421
Weight per piece (including packing)	3.65 g
Weight per piece (excluding packing)	3.52 g
Customs tariff number	85366990
Country of origin	PL

PSBJ 3,5/18/6 BU - Test plug strip

0311333

<https://www.phoenixcontact.com/au/products/0311333>

Technical data


Product properties

Product type	Test socket
Number of positions	1

Connection data

Connection method	Screw connection
-------------------	------------------

Dimensions

Dimensional drawing	
Width	6 mm
Height	6 mm
Depth on NS 35/7,5	15 mm
Pin diameter	4 mm

Material specifications

Color	blue (RAL 5015)
Material	Brass
Insulating material	PA
Contact material	PE-LD, silver-plated brass

Environmental and real-life conditions

Ambient conditions

Ambient temperature (operation)	-40 °C ... 80 °C
---------------------------------	------------------

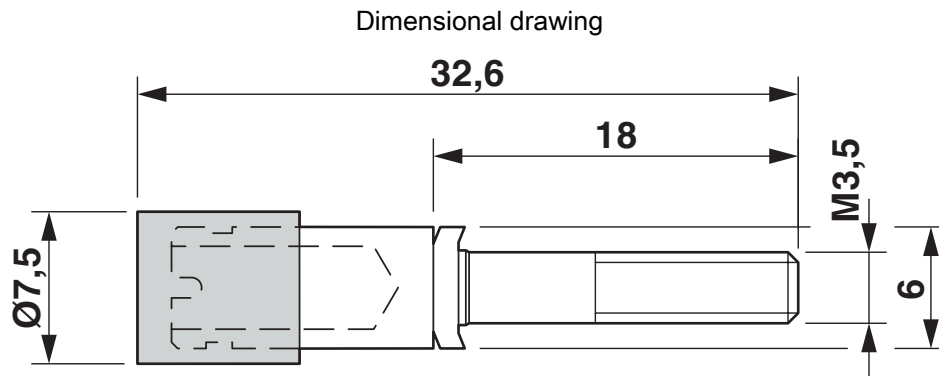
PSBJ 3,5/18/6 BU - Test plug strip

0311333

<https://www.phoenixcontact.com/au/products/0311333>



Drawings



PSBJ 3,5/18/6 BU - Test plug strip



0311333

<https://www.phoenixcontact.com/au/products/0311333>

Classifications

ECLASS

ECLASS-13.0

27250304

ETIM

ETIM 9.0

EC002555

UNSPSC

UNSPSC 21.0

20122000

PSBJ 3,5/18/6 BU - Test plug strip



0311333

<https://www.phoenixcontact.com/au/products/0311333>

Environmental product compliance

EU RoHS

Fulfills EU RoHS substance requirements	Yes, No exemptions
---	--------------------

China RoHS

Environment friendly use period (EFUP)	EFUP-E
	No hazardous substances above the limits

EU REACH SVHC

REACH candidate substance (CAS No.)	No substance above 0.1 wt%
-------------------------------------	----------------------------

Phoenix Contact 2025 © - all rights reserved
<https://www.phoenixcontact.com>

PHOENIX CONTACT PTY Ltd
Unit 7, 2-8 South Street
Rydalmere NSW 2116
1300 786 411
customerservice@phoenixcontact.com.au