

MINI-PS- 12- 24DC/48DC/0.7 - DC/DC converter



2320021

<https://www.phoenixcontact.com/au/products/2320021>

Please be informed that the data shown in this PDF document is generated from our online catalog. Please find the complete data in the user documentation. Our general terms of use for downloads are valid.



Please use the following item in new systems: 1098676.

Primary-switched MINI DC/DC converter for DIN rail mounting, input: 12 - 24 V DC, output: 48 V DC/0.7 A

Product description

MINI DC/DC converter for MCR technology.

DC/DC converters alter the voltage level, regenerate the voltage at the end of long cables or enable the creation of independent supply systems by means of electrical isolation.

Your advantages

- Electrical isolation: for setting up independent supply systems
- Support conversion to various voltage levels
- Constant voltage: output voltage regenerated even at the end of long cables

Commercial data

| | |
|--------------------------------------|---------------------|
| Item number | 2320021 |
| Packing unit | 1 pc |
| Minimum order quantity | 1 pc |
| Sales key | CMDM44 |
| Product key | CMDM44 |
| Catalog page | Page 299 (C-4-2019) |
| GTIN | 4046356479448 |
| Weight per piece (including packing) | 231.9 g |
| Weight per piece (excluding packing) | 200 g |
| Customs tariff number | 85044095 |
| Country of origin | CN |

Technical data

Input data

DC operation

| | |
|------------------------------------|---|
| Nominal input voltage range | 12 V DC ... 24 V DC |
| Input voltage range | 10 V DC ... 32 V DC (> 10.5 V DC start) |
| Wide-range input | yes |
| Input voltage range DC | 10 V DC ... 32 V DC (> 10.5 V DC start) |
| Voltage type of supply voltage | DC |
| Inrush current | < 10 A (typical) |
| Inrush current integral (I^2t) | 0.3 A ² s |
| Frequency range DC | 0 Hz |
| Mains buffering time | typ. 2 ms (12 V DC) typ. 12 ms (24 V DC) |
| Current consumption | 3.2 A (12 V DC) 1.6 A (24 V DC) |
| Typical response time | < 0.5 s |
| Input fuse | 6.3 A (slow-blow, internal) |

Output data

| | |
|--|---|
| Efficiency | > 87 % (at 24 V DC and nominal values) |
| Output characteristic | U/I |
| Nominal output voltage | 48 V DC \pm 1 % |
| Setting range of the output voltage (U_{Set}) | 30 V DC ... 56 V DC (> 48 V DC, constant capacity restricted) |
| Nominal output current (I_N) | 0.7 A (-25 °C ... 60 °C) |
| Derating | 60 °C ... 70 °C (2.5 %/K) |
| Feedback voltage resistance | 60 V DC |
| Protection against overvoltage at the output (OVP) | < 60 V DC |
| Residual ripple | < 20 mV _{PP} (20 MHz) |
| Output power | 33.6 W |
| Peak switching voltages nominal load | < 10 mV _{PP} (20 MHz) |
| Maximum no-load power dissipation | < 1.5 W |
| Power loss nominal load max. | < 4.5 W |
| Connection in parallel | yes, for assembling redundant systems and increasing efficiency |
| Connection in series | yes |

Signal: DC OK active

| | |
|-------------------------|--|
| Output description | $U_{OUT} > 0.9 \times U_N$: High signal |
| Output voltage | + 24 V (Signal) |
| Continuous load current | \leq 20 mA |

Connection data

Input

MINI-PS- 12- 24DC/48DC/0.7 - DC/DC converter



2320021

<https://www.phoenixcontact.com/au/products/2320021>

| | |
|---------------------------------------|----------------------------|
| Connection method | Pluggable screw connection |
| Conductor cross section, rigid min. | 0.2 mm ² |
| Conductor cross section, rigid max. | 2.5 mm ² |
| Conductor cross section flexible min. | 0.2 mm ² |
| Conductor cross section flexible max. | 2.5 mm ² |
| Conductor cross section AWG min. | 24 |
| Conductor cross section AWG max. | 14 |
| Stripping length | 7 mm |
| Screw thread | M3 |
| Tightening torque, min | 0.5 Nm |
| Tightening torque max | 0.6 Nm |

Output

| | |
|---------------------------------------|----------------------------|
| Connection method | Pluggable screw connection |
| Conductor cross section, rigid min. | 0.2 mm ² |
| Conductor cross section, rigid max. | 2.5 mm ² |
| Conductor cross section flexible min. | 0.2 mm ² |
| Conductor cross section flexible max. | 2.5 mm ² |
| Conductor cross section AWG min. | 24 |
| Conductor cross section AWG max. | 14 |
| Stripping length | 7 mm |
| Screw thread | M3 |
| Tightening torque, min | 0.5 Nm |
| Tightening torque max | 0.6 Nm |

Signal

| | |
|---------------------------------------|---------------------|
| Conductor cross section, rigid min. | 0.2 mm ² |
| Conductor cross section, rigid max. | 2.5 mm ² |
| Conductor cross section flexible min. | 0.2 mm ² |
| Conductor cross section flexible max. | 2.5 mm ² |
| Conductor cross section AWG min. | 24 |
| Conductor cross section AWG max. | 14 |
| Screw thread | M3 |
| Tightening torque, min | 0.5 Nm |
| Tightening torque max | 0.6 Nm |

Signaling

| | |
|--------------------|-------------------------|
| Types of signaling | LED |
| | Active switching output |

Signal output: DC OK active

| | |
|------------------------|-------------------------------------|
| Status display | "DC OK" LED green |
| Note on status display | $U_{OUT} > 0.9 \times U_N$: LED ON |
| Color | green |
| Note on status display | LED on |

MINI-PS- 12- 24DC/48DC/0.7 - DC/DC converter



2320021

<https://www.phoenixcontact.com/au/products/2320021>

Electrical properties

| | |
|---------------------------------|---------------------|
| Number of phases | 1 |
| Insulation voltage input/output | 1.5 kV (type test) |
| | 1 kV (routine test) |

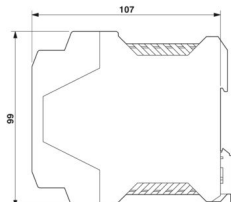
Product properties

| | |
|----------------------------|---------------------|
| Product type | DC/DC converters |
| MTBF (IEC 61709, SN 29500) | > 1993000 h (40 °C) |

Insulation characteristics

| | |
|---------------------|-----|
| Protection class | III |
| Degree of pollution | 2 |

Dimensions

| | |
|---------------------|---|
| Dimensional drawing |  |
| Width | 22.5 mm |
| Height | 99 mm |
| Depth | 107 mm |

Installation dimensions

| | |
|----------------------------------|-------------------------------|
| Installation distance right/left | 0 mm / 0 mm (≤ 70 °C) |
| Installation distance top/bottom | 50 mm / 50 mm (≤ 70 °C) |

Mounting

| | |
|-------------------------|--|
| Assembly note | alignable: horizontally 0 mm, vertically 50 mm |
| Mounting position | horizontal DIN rail NS 35, EN 60715 |
| With protective coating | no |

Material specifications

| | |
|------------------|----------------------------|
| Housing material | Plastic |
| Housing material | PA |
| Type of housing | Polyamide PA, color: green |

Environmental and real-life conditions

Ambient conditions

| | |
|---|-------------------------------------|
| Degree of protection | IP20 |
| Ambient temperature (operation) | -25 °C ... 70 °C (> +60°C derating) |
| Ambient temperature (storage/transport) | -40 °C ... 85 °C |

MINI-PS- 12- 24DC/48DC/0.7 - DC/DC converter



2320021

<https://www.phoenixcontact.com/au/products/2320021>

| | |
|--|---|
| Climatic class | 3K3 (in acc. with EN 60721) |
| Max. permissible relative humidity (operation) | ≤ 95 % (at +25 °C, non-condensing) |
| Shock | 18 ms, 30g, in each space direction (according to IEC 60068-2-27) |
| Vibration (operation) | < 15 Hz, amplitude ±2.5 mm (according to IEC 60068-2-6) 15 Hz ... 150 Hz, 2.3g |

Standards and regulations

| | |
|--|--------------------------------------|
| Rail applications | EN 50121-4 |
| Standard – Electronic equipment for use in electrical power installations and their assembly into electrical power installations | EN 50178/VDE 0160 (PELV) |
| Standard - Electrical safety | EN 60950-1/VDE 0805 (SELV) |
| Standard - Safe isolation | DIN VDE 0100-410 DIN VDE 0106-101 |

Approvals

| | |
|--------------|--|
| CSA | CSA-C22.2 No. 107.1-01 |
| UL approvals | UL/C-UL listed UL 508 UL/C-UL Recognized UL 60950-1 UL ANSI/ISA-12.12.01 Class I, Division 2, Groups A, B, C, D (Hazardous Location) |

EMC data

| | |
|-------------------------------------|---|
| Electromagnetic compatibility | Conformance with EMC Directive 2014/30/EU |
| Low Voltage Directive | Conformance with Low Voltage Directive 2014/35/EC |
| EMC requirements for noise emission | EN 61000-6-3 EN 61000-6-4 |
| EMC requirements for noise immunity | EN 61000-6-1 EN 61000-6-2 |

Noise emission

| | |
|-----------------------|---------------------|
| Standards/regulations | EN 55011 (EN 55022) |
|-----------------------|---------------------|

Electrostatic discharge

| | |
|-----------------------|--------------|
| Standards/regulations | EN 61000-4-2 |
| Housing | > Level 3 |

Electrostatic discharge

| | |
|-------------------|--------------------------|
| Contact discharge | 8 kV (Contact discharge) |
| Discharge in air | 8 kV (Air discharge) |
| Comments | Criterion B |

Electromagnetic HF field

| | |
|-----------------------|--------------|
| Standards/regulations | EN 61000-4-3 |
|-----------------------|--------------|

Electromagnetic HF field

| | |
|-----------------|------------------|
| Frequency range | 80 MHz ... 3 GHz |
|-----------------|------------------|

MINI-PS- 12- 24DC/48DC/0.7 - DC/DC converter



2320021

<https://www.phoenixcontact.com/au/products/2320021>

| | |
|---------------------|-------------|
| Test field strength | 10 V/m |
| Comments | Criterion A |

Fast transients (burst)

| | |
|-----------------------|--------------|
| Standards/regulations | EN 61000-4-4 |
|-----------------------|--------------|

Fast transients (burst)

| | |
|----------|--|
| Input | 4 kV (level 4 - asymmetrical: conductor to ground) |
| Output | 2 kV (level 3 - asymmetrical: conductor to ground) |
| Signal | 1 kV (Level 2 - asymmetrical cable to ground) |
| Comments | Criterion B |

Surge voltage load (surge)

| | |
|-----------------------|--------------|
| Standards/regulations | EN 61000-4-5 |
|-----------------------|--------------|

Conducted interference

| | |
|-----------------------|--------------|
| Standards/regulations | EN 61000-4-6 |
|-----------------------|--------------|

Conducted interference

| | |
|-----------------|----------------------------|
| Input/Output | Level 3 |
| Frequency range | 0.15 MHz ... 80 MHz (10 V) |

Voltage dips

| | |
|-----------------------|---------------|
| Standards/regulations | EN 61000-4-11 |
|-----------------------|---------------|

Emitted interference

| | |
|--|--|
| Standards/regulations | EN 61000-6-3 |
| Radio interference voltage in acc. with EN 55011 | EN 55011 (EN 55022) Class B, area of application: Industry and residential |
| Emitted radio interference in acc. with EN 55011 | EN 55011 (EN 55022) Class B, area of application: Industry and residential |

MINI-PS- 12- 24DC/48DC/0.7 - DC/DC converter

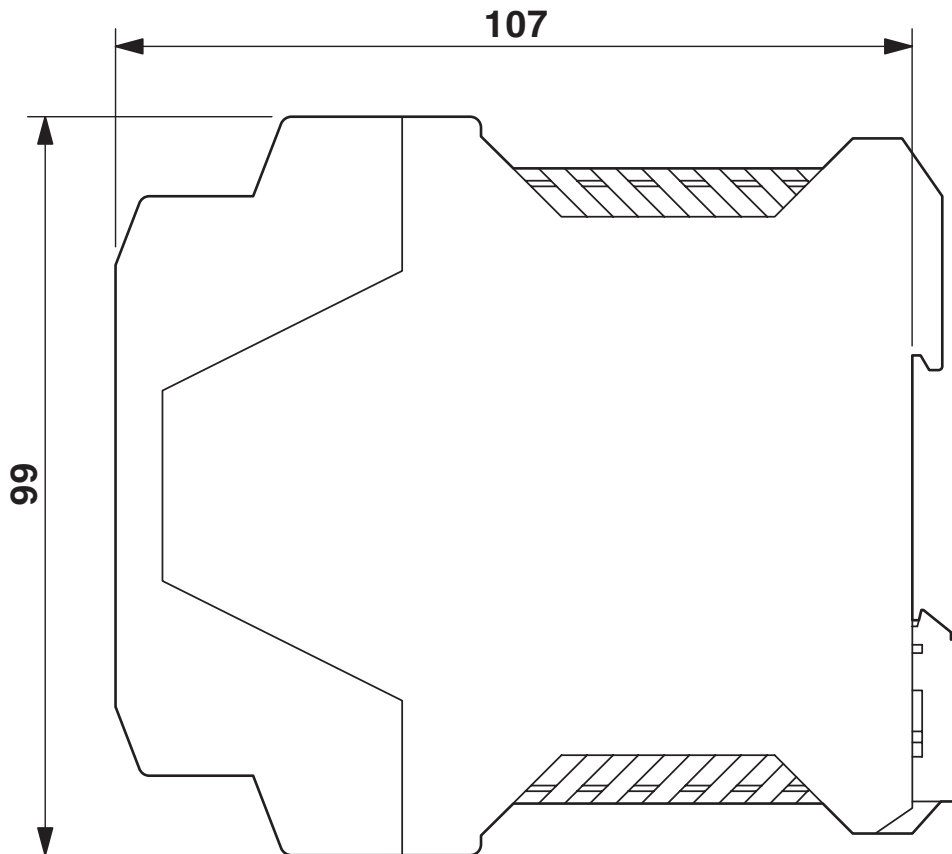


2320021

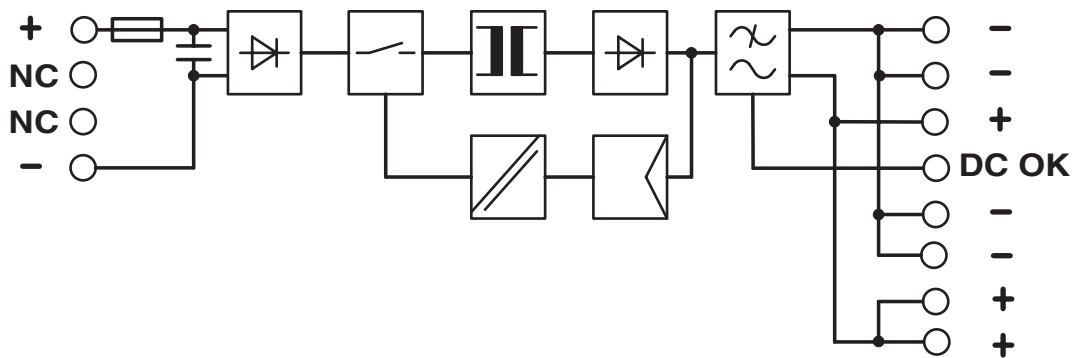
<https://www.phoenixcontact.com/au/products/2320021>

Drawings

Dimensional drawing



Block diagram



MINI-PS- 12- 24DC/48DC/0.7 - DC/DC converter



2320021

<https://www.phoenixcontact.com/au/products/2320021>

Approvals

To download certificates, visit the product detail page: <https://www.phoenixcontact.com/au/products/2320021>



cUL Recognized
Approval ID: FILE E 211944



UL Recognized
Approval ID: E211944



EAC
Approval ID: EAC-Zulassung



EAC
Approval ID: RU S-DE.BL08.W.00764



UL Listed
Approval ID: E123528



cUL Listed
Approval ID: E123528

DNV

Approval ID: TAA000030X

CoC / Compliance Statement

Approval ID: 19-004-01



cUL Listed
Approval ID: E199827



UL Listed
Approval ID: E199827

MINI-PS- 12- 24DC/48DC/0.7 - DC/DC converter



2320021

<https://www.phoenixcontact.com/au/products/2320021>

Classifications

ECLASS

ECLASS-13.0

27040701

ETIM

ETIM 9.0

EC002540

UNSPSC

UNSPSC 21.0

39121000

2320021

<https://www.phoenixcontact.com/au/products/2320021>

Environmental product compliance

EU RoHS

| | |
|---|--------------|
| Fulfills EU RoHS substance requirements | Yes |
| Exemption | 7(a), 7(c)-I |

China RoHS

| | |
|--|---|
| Environment friendly use period (EFUP) | EFUP-25 |
| | An article-related China RoHS declaration table can be found in the download area for the respective article under "Manufacturer declaration". For all articles with EFUP-E, no China RoHS declaration table issued and required. |

EU REACH SVHC

| | |
|-------------------------------------|--------------------------------------|
| REACH candidate substance (CAS No.) | Lead(CAS: 7439-92-1) |
| SCIP | bddcd519-88e7-492e-901a-a62e849b9af8 |

EF3.0 Climate Change

| | |
|---------|---------------|
| CO2e kg | 2.268 kg CO2e |
|---------|---------------|

Phoenix Contact 2025 © - all rights reserved
<https://www.phoenixcontact.com>

PHOENIX CONTACT PTY Ltd
Unit 7, 2-8 South Street
Rydalmere NSW 2116
1300 786 411
customerservice@phoenixcontact.com.au