

DEK-OV- 24DC/ 24DC/ 10 - Solid-state relay terminal block



2964322

<https://www.phoenixcontact.com/au/products/2964322>

Please be informed that the data shown in this PDF document is generated from our online catalog. Please find the complete data in the user documentation. Our general terms of use for downloads are valid.



Power solid-state relay terminal block with short-circuit-proof DC voltage output, input: 24 V DC, output: 3 - 33 V DC/10 A

Your advantages

- Actuator version available
- EB-DIK insertion bridges
- Labeling and mounting with user-friendly modular terminal blocks
- Wear-free switching of up to 24 V DC/10 A
- Integrated output protective circuit
- Zero voltage switch at AC output
- Status indicator
- Electrical isolation between input and output at up to 2.5 kVrms
- Integrated input circuit

Commercial data

Item number	2964322
Packing unit	10 pc
Minimum order quantity	1 pc
Sales key	DK61A1
Product key	DK61A1
Catalog page	Page 443 (C-5-2019)
GTIN	4017918893194
Weight per piece (including packing)	25.5 g
Weight per piece (excluding packing)	25.5 g
Customs tariff number	85364190
Country of origin	CN

DEK-OV- 24DC/ 24DC/ 10 - Solid-state relay terminal block



2964322

<https://www.phoenixcontact.com/au/products/2964322>

Technical data

Notes

Order information:	The housing is open on one side. The appropriate cover is D-DEK 1,5 GN (2716949).
Note on application	Use of EB 80-DIK... bridges in the DEK terminal blocks: Absorption of humidity from the ambient air as well as an unfavorable tolerance between a larger number of DEK terminal blocks and the EB 80-DIK... bridge may cause (minor) expansion of the DEK housing. When the EB 80-DIK... bridges are used, therefore, it is recommended that these be disconnected after about 10 to 12 DEK terminal blocks and a wire bridge to the next DEK terminal block be inserted in their place.

Product properties

Product type	Solid-state relay module
Product family	DEK
Application	Output function
Operating mode	100% operating factor

Insulation characteristics: Air clearances and creepage distances between the power circuits

Insulation	Basic insulation
Overvoltage category	II
Pollution degree	2

Data management status

Date of last data management	19.03.2025
------------------------------	------------

Electrical properties

Maximum power dissipation for nominal condition	0.5 W
Test voltage (Input/output)	2.5 kV AC (Input/output)

Air clearances and creepage distances between the power circuits

Rated insulation voltage	50 V DC
Rated surge voltage	0.5 kV

Input data

Nominal input voltage U_N	24 V DC
Input voltage range in reference to U_N	0.8 ... 1.2
Input voltage range	19.2 V DC ... 28.8 V DC
Switching threshold "0" signal in reference to U_N	≤ 0.4
Switching threshold "1" signal in reference to U_N	≥ 0.8
Typical input current at U_N	3.5 mA
Typical response time	100 μ s
Typical turn-off time	500 μ s
Operating voltage display	Yellow LED
Protective circuit	Reverse polarity protection

DEK-OV- 24DC/ 24DC/ 10 - Solid-state relay terminal block



2964322

<https://www.phoenixcontact.com/au/products/2964322>

	Surge protection
Transmission frequency	100 Hz

Output data

Contact switching type	1 N/O contact
Design of digital output	electronic
Output voltage range	8 V DC ... 33 V DC
Limiting continuous current	10 A (see derating curve)
Surge current	100 A (t = 20 ms)
Voltage drop at max. limiting continuous current	≤ 50 mV
Output circuit	3-conductor, ground-referenced
Protective circuit	Reverse polarity protection Surge protection

Connection data

Connection method	Screw connection
Stripping length	8 mm
Screw thread	M3
Conductor cross section rigid	0.2 mm ² ... 2.5 mm ²
Conductor cross section flexible	0.2 mm ² ... 2.5 mm ²
Conductor cross section AWG	24 ... 14
Tightening torque	0.5 Nm

Dimensions

Width	6.2 mm
Height	80 mm
Depth	56 mm

Material specifications

Color	green (RAL 6021)
-------	------------------

Environmental and real-life conditions

Ambient conditions

Ambient temperature (operation)	-20 °C ... 60 °C
Ambient temperature (storage/transport)	-20 °C ... 70 °C
Altitude	≤ 2000 m

Standards and regulations

Air clearances and creepage distances between the power circuits

Standards/regulations	DIN EN 60947-5-1
-----------------------	------------------

Mounting

Mounting type	DIN rail mounting
Assembly note	in rows with zero spacing

DEK-OV- 24DC/ 24DC/ 10 - Solid-state relay terminal block



2964322

<https://www.phoenixcontact.com/au/products/2964322>

Mounting position	any
-------------------	-----

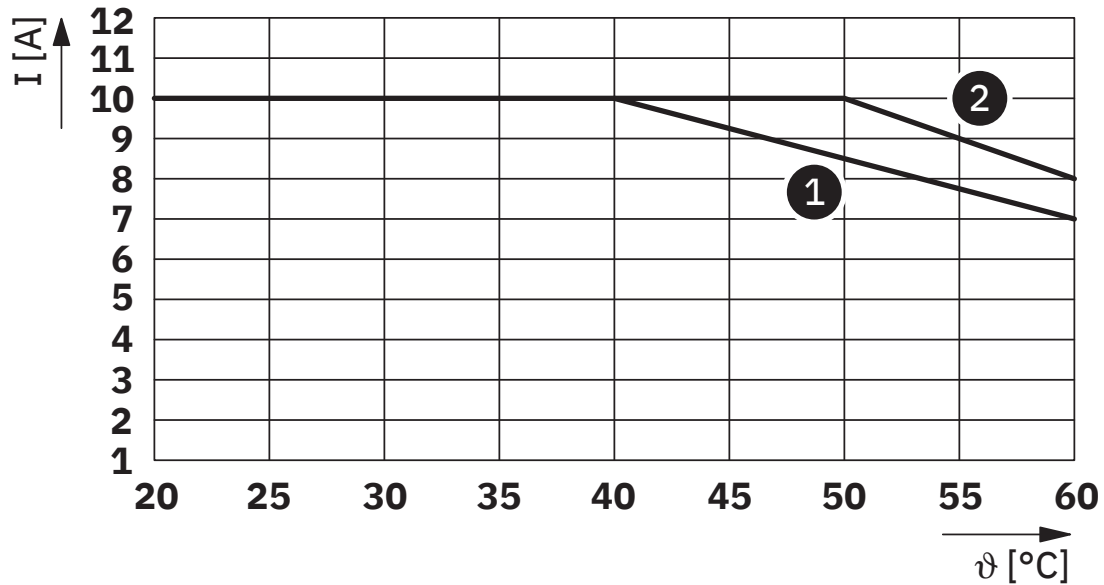
DEK-OV- 24DC/ 24DC/ 10 - Solid-state relay terminal block

2964322

<https://www.phoenixcontact.com/au/products/2964322>

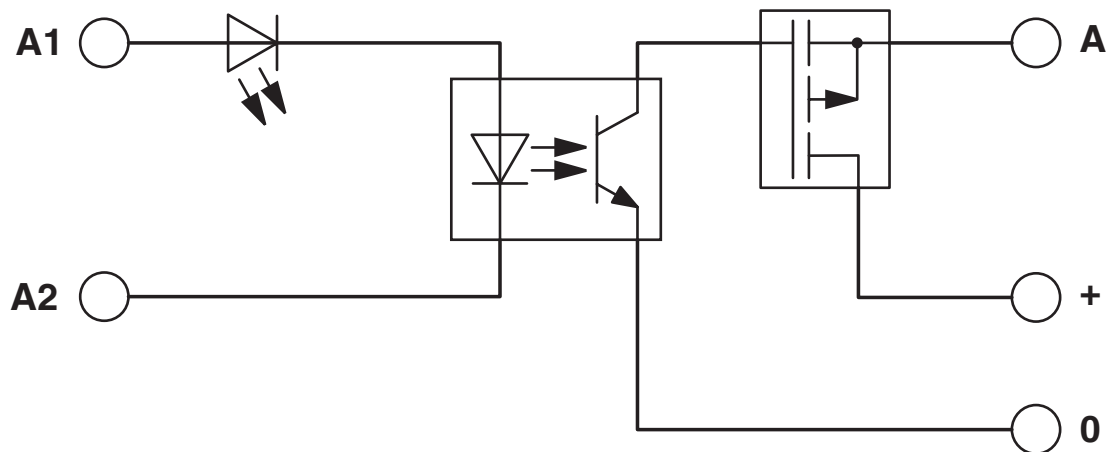
Drawings

Diagram



Derating curve for the continuous load current
Curve 1: Arranged in a row without spacing
Curve 2: Arranged in a row with spacing > 6 mm

Circuit diagram



DEK-OV- 24DC/ 24DC/ 10 - Solid-state relay terminal block



2964322

<https://www.phoenixcontact.com/au/products/2964322>

Approvals

To download certificates, visit the product detail page: <https://www.phoenixcontact.com/au/products/2964322>



cUL Recognized

Approval ID: E238705



UL Recognized

Approval ID: E238705

DEK-OV- 24DC/ 24DC/ 10 - Solid-state relay terminal block



2964322

<https://www.phoenixcontact.com/au/products/2964322>

Classifications

ECLASS

ECLASS-13.0

27371604

ETIM

ETIM 9.0

EC001504

UNSPSC

UNSPSC 21.0

39122300

DEK-OV- 24DC/ 24DC/ 10 - Solid-state relay terminal block



2964322

<https://www.phoenixcontact.com/au/products/2964322>

Environmental product compliance

EU RoHS

Fulfills EU RoHS substance requirements	Yes
Exemption	7(a), 7(c)-I

China RoHS

Environment friendly use period (EFUP)	EFUP-50
	An article-related China RoHS declaration table can be found in the download area for the respective article under "Manufacturer declaration". For all articles with EFUP-E, no China RoHS declaration table issued and required.

EU REACH SVHC

REACH candidate substance (CAS No.)	Lead(CAS: 7439-92-1)
SCIP	7a6c560f-fd73-479f-9d04-b53970e8a4c3

Phoenix Contact 2025 © - all rights reserved

<https://www.phoenixcontact.com>

PHOENIX CONTACT PTY Ltd

Unit 7, 2-8 South Street

Rydalmere NSW 2116

1300 786 411

customerservice@phoenixcontact.com.au