

AXL SE AO4 I 4-20 - Analog module



1088123

<https://www.phoenixcontact.com/au/products/1088123>

Please be informed that the data shown in this PDF document is generated from our online catalog. Please find the complete data in the user documentation. Our general terms of use for downloads are valid.



Axioline Smart Elements, Analog output module, Analog outputs: 4, 4 mA ... 20 mA, connection technology: 2-conductor, degree of protection: IP20

Product description

You can integrate Axioline Smart Elements into systems with the Smart Element interface. This Smart Element emits analog current signals.

Your advantages

- 4 analog output channels
- Connection of actuators in 2-conductor technology
- Current range: 4 mA ... 20 mA
- Data format: standardized representation
- Resolution: 12 bits
- Wire-break detection
- Substitute value behavior can be parameterized for each output
- Device rating plate stored

Commercial data

Item number	1088123
Packing unit	1 pc
Minimum order quantity	1 pc
Sales key	DRIB42
Product key	DRIB42
GTIN	4055626887821
Weight per piece (including packing)	38.966 g
Weight per piece (excluding packing)	35 g
Customs tariff number	85389091
Country of origin	DE

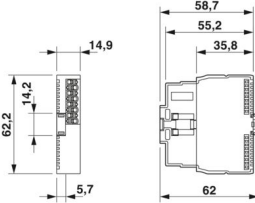
AXL SE AO4 I 4-20 - Analog module

1088123

<https://www.phoenixcontact.com/au/products/1088123>

Technical data

Dimensions

Dimensional drawing	
Width	14.9 mm
Height	62.2 mm
Depth	62 mm

Notes

Note on application

Note on application	Only for industrial use
---------------------	-------------------------

Interfaces

Smart Element interface

Number of interfaces	1
Connection method	Card edge connector
Transmission speed	See system in which you use the Smart Element.
Start time until ready to operate	< 1000 ms

System properties

Module

ID code (hex)	none
Process data channel	64 bit
Input address area	8 Byte
Output address area	8 Byte
Required parameter data	24 Byte
Required configuration data	7 Byte

Output data

Analog:

Output name	Analog outputs
Connection method	Push-in technology
Connection technology	2-conductor
Note regarding the connection technology	shielded, twisted pair
Number of outputs	4
D/A converter resolution	12 bit

AXL SE AO4 I 4-20 - Analog module



1088123

<https://www.phoenixcontact.com/au/products/1088123>

Protective circuit	Short-circuit and overload protection; electronic Transient protection
Data formats	Standardized representation
Representation of output values	16 bits
Process data update	typ. 1 ms
Current output signal	4 mA ... 20 mA
Load/output load current output	max. 500 Ω
Permissible cable length	max. 250 m

Product properties

Product type	I/O component
Product family	Axioline Smart Elements
Type	modular
Mounting position	See the system in which the Smart Element is used.

Insulation characteristics

Overvoltage category	II (IEC 60664-1, EN 60664-1)
Pollution degree	2 (IEC 60664-1, EN 60664-1)

Electrical properties

Maximum power dissipation for nominal condition	2.5 W
---	-------

Potentials: Communications power supply of the Smart Elements (U_{SE})

Supply voltage	using card edge connectors
----------------	----------------------------

Potentials: I/O supply (U_P)

Supply voltage	24 V DC (using card edge connectors)
Supply voltage range	19.2 V DC ... 30 V DC (including all tolerances, including ripple)
Current draw	max. 120 mA typ. 100 mA
Current consumption	min. 30 mA (without connected peripherals)
Protective circuit	Surge protection; See the system in which the Smart Element is used. Reverse polarity protection; Polarity protection diode

Electrical isolation/isolation of the voltage ranges

Test voltage: Communications supply / 24 V supply (I/O)	500 V AC, 50 Hz, 1 min
Test voltage: Communications supply / functional ground	500 V AC, 50 Hz, 1 min
Test voltage: 24 V supply (I/O) / functional ground	500 V AC, 50 Hz, 1 min

Connection data

Connection technology

Connection name	I/O
Note on the connection method	Please observe the information provided on conductor cross sections in the "Axioline Smart Elements" user manual.

Conductor connection

AXL SE AO4 I 4-20 - Analog module



1088123

<https://www.phoenixcontact.com/au/products/1088123>

Connection method	Push-in connection
Conductor cross section rigid	0.25 mm ² ... 1.5 mm ²
Conductor cross section flexible	0.25 mm ² ... 1.5 mm ²
Conductor cross section AWG	24 ... 16
Conductor cross section flexible, with ferrule without plastic sleeve	0.25 mm ² ... 1.5 mm ²
Conductor cross section, flexible, with ferrule, with plastic sleeve	0.25 mm ² ... 1.5 mm ²
Stripping length	8 mm

I/O

Connection method	Push-in connection
Note on the connection method	Please observe the information provided on conductor cross sections in the "AxioLine Smart Elements" user manual.
Conductor cross section, rigid	0.25 mm ² ... 1.5 mm ²
Conductor cross section, flexible	0.25 mm ² ... 1.5 mm ²
Conductor cross section AWG	24 ... 16
Conductor cross section, flexible, with ferrule, with plastic sleeve	0.25 mm ² ... 1.5 mm ²
Conductor cross section flexible, with ferrule without plastic sleeve	0.25 mm ² ... 1.5 mm ²
Stripping length	8 mm

Environmental and real-life conditions

Ambient conditions

Ambient temperature (operation)	-25 °C ... 60 °C
Degree of protection	IP20
Air pressure (operation)	70 kPa ... 106 kPa (up to 3000 m above sea level)
Air pressure (storage/transport)	70 kPa ... 106 kPa (up to 3000 m above sea level)
Ambient temperature (storage/transport)	-40 °C ... 85 °C
Permissible humidity (operation)	5 % ... 95 % (non-condensing)
Permissible humidity (storage/transport)	5 % ... 95 % (non-condensing)

Standards and regulations

Protection class	III (IEC 61140, EN 61140, VDE 0140-1)
------------------	---------------------------------------

Mounting

Mounting type	Smart Element slot
Mounting position	See the system in which the Smart Element is used.

AXL SE AO4 I 4-20 - Analog module

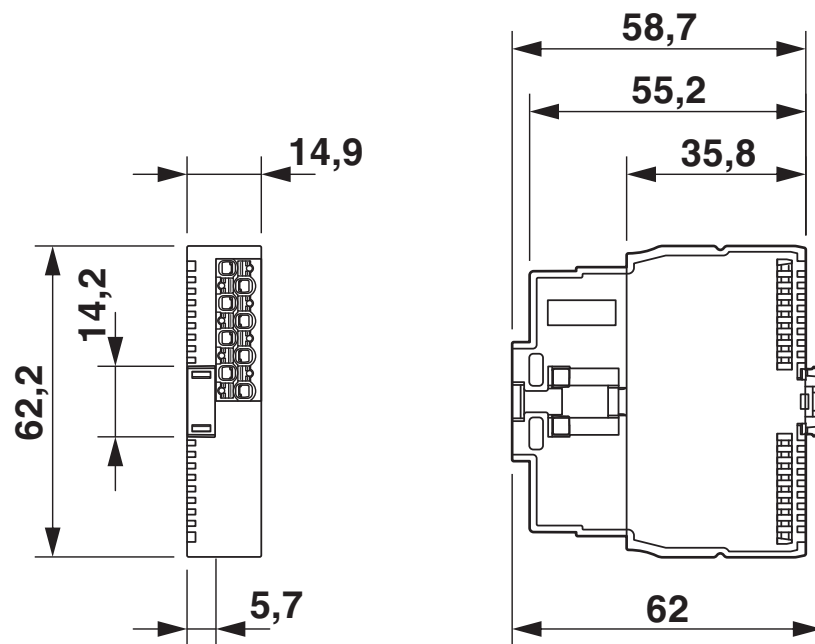
1088123

<https://www.phoenixcontact.com/au/products/1088123>



Drawings

Dimensional drawing



Dimensions

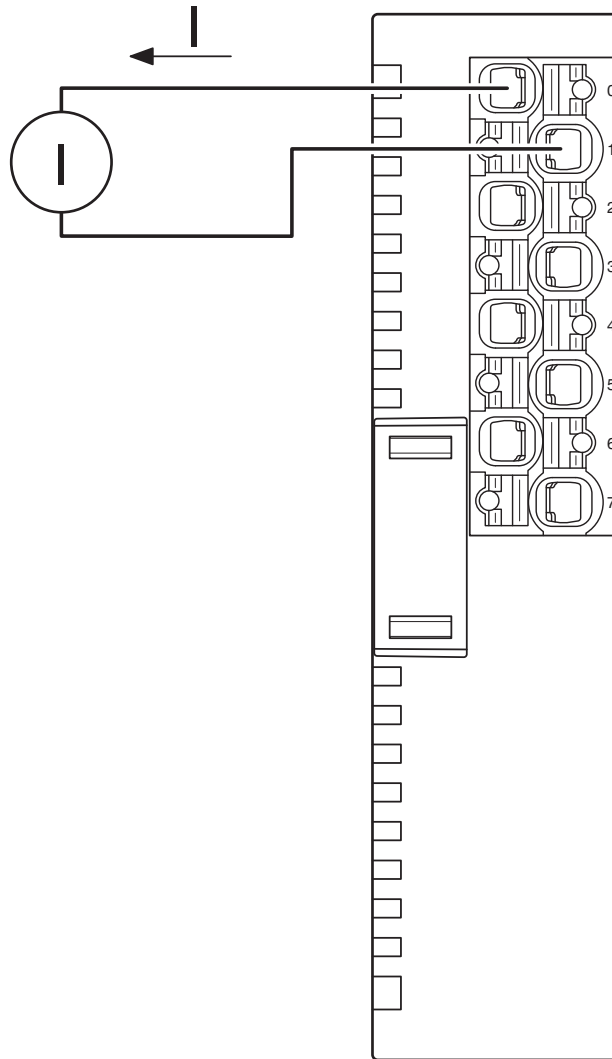
AXL SE AO4 I 4-20 - Analog module

1088123

<https://www.phoenixcontact.com/au/products/1088123>



Connection diagram

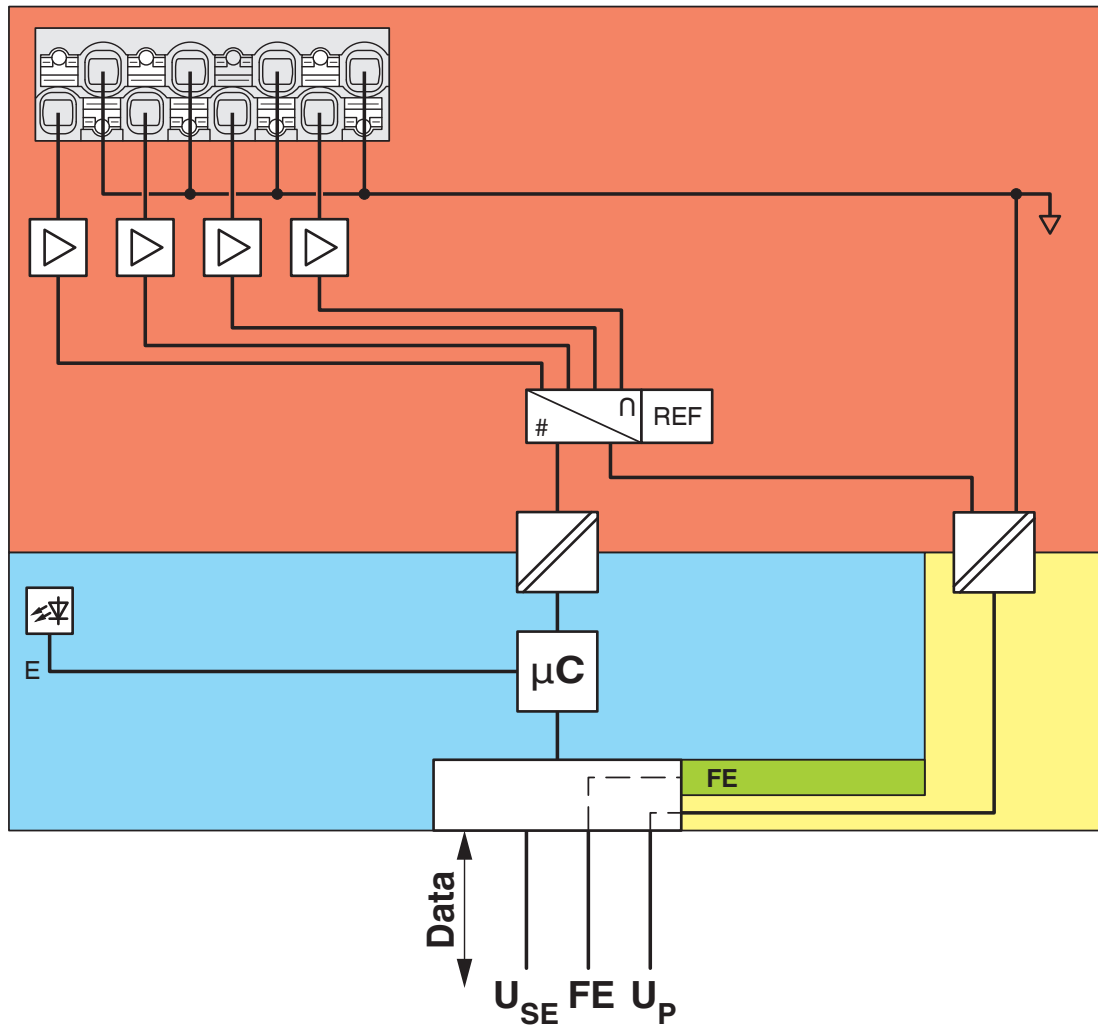


Connection example

1088123

<https://www.phoenixcontact.com/au/products/1088123>

Block diagram



Internal wiring of the terminal points

AXL SE AO4 I 4-20 - Analog module



1088123

<https://www.phoenixcontact.com/au/products/1088123>

Approvals

To download certificates, visit the product detail page: <https://www.phoenixcontact.com/au/products/1088123>

DNV

Approval ID: TAA00003B0



LR

Approval ID: LR23402057TA



RINA

Approval ID: ELE263623XG

ABS

Approval ID: 24-2510075-PDA



cULus Listed

Approval ID: E238705

AXL SE AO4 I 4-20 - Analog module



1088123

<https://www.phoenixcontact.com/au/products/1088123>

Classifications

ECLASS

ECLASS-13.0

27242601

ETIM

ETIM 9.0

EC001596

UNSPSC

UNSPSC 21.0

32151600

AXL SE AO4 I 4-20 - Analog module



1088123

<https://www.phoenixcontact.com/au/products/1088123>

Environmental product compliance

EU RoHS

Fulfills EU RoHS substance requirements	Yes
Exemption	7(a), 7(c)-I, 7(c)-II

China RoHS

Environment friendly use period (EFUP)	EFUP-50
	An article-related China RoHS declaration table can be found in the download area for the respective article under "Manufacturer declaration". For all articles with EFUP-E, no China RoHS declaration table issued and required.

EU REACH SVHC

REACH candidate substance (CAS No.)	Lead(CAS: 7439-92-1)
SCIP	fdde8124-c4b7-4f68-b6c4-d297ec1d4382

EF3.0 Climate Change

CO2e kg	37.82 kg CO2e
---------	---------------

Phoenix Contact 2025 © - all rights reserved
<https://www.phoenixcontact.com>

PHOENIX CONTACT PTY Ltd
Unit 7, 2-8 South Street
Rydalmere NSW 2116
1300 786 411
customerservice@phoenixcontact.com.au