



PC7



Nothing
but perfect.

Aer Signal

PC7 Modul Perfect 70

Nothing
but perfect.



IP66



IK09

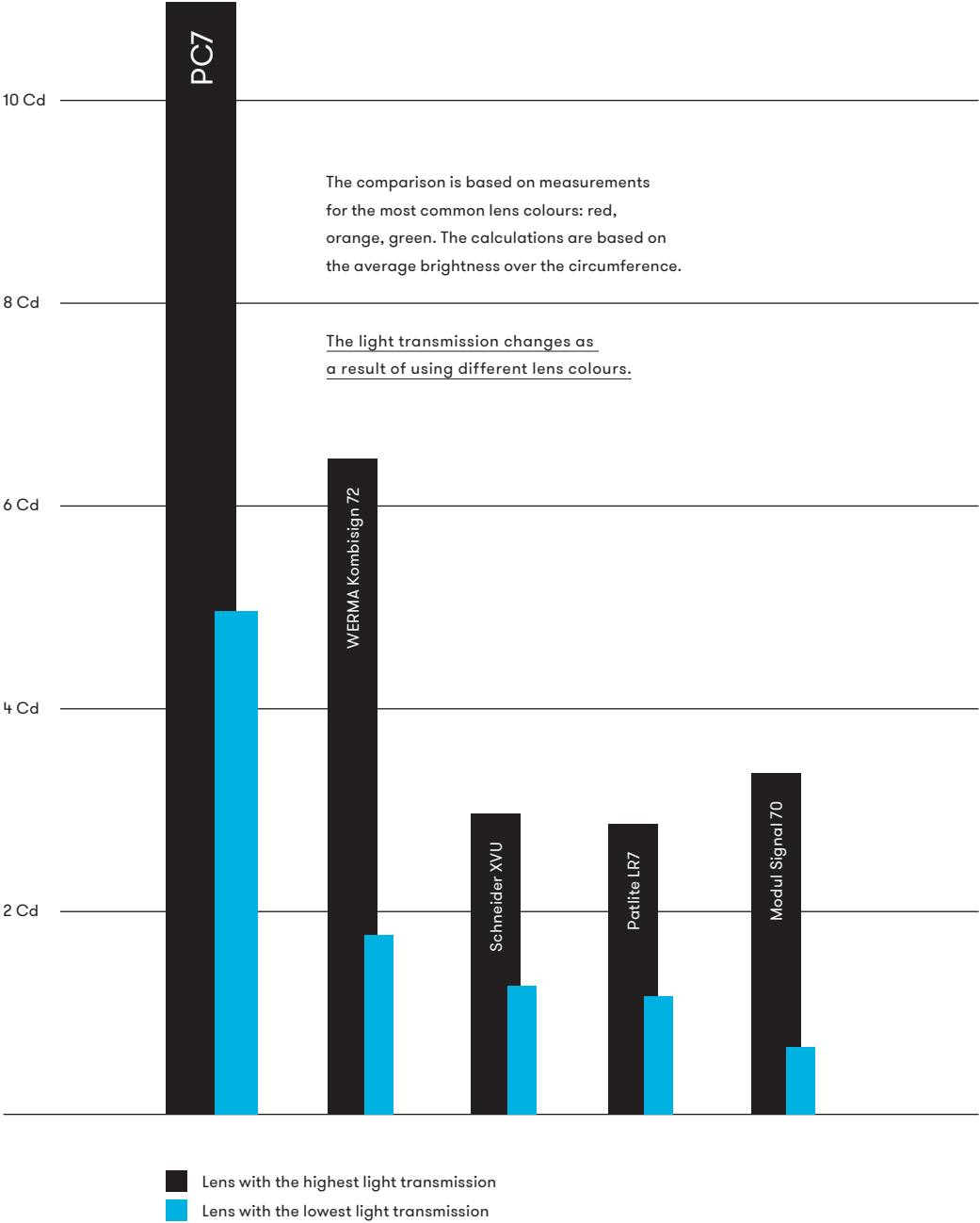


42 Cd



Up to 6 times brighter than comparable signal towers /
7 positions provide maximum flexibility / Two visual
appearances available with the new diffuser / Even
brighter top light module with hemispherical signalling
effect / New LED light modules with multi colour, rotating
light, multi function and steady light functions / Multi-
tone module now also available as an inline module /
New multi-tone alarm sounder module for the best possible
tone quality and variety / Innovative MP3/voice output
module for playing back audio formats / Patented,
cost-effective M12 bases

PC7 in brightness comparison:



The Modul Perfect 70 achieves up to **42 CD (CANDELA)** with a clear lens.

UP TO

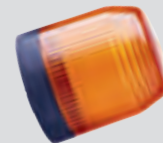
6 times brighter

THAN THE COMPETITION

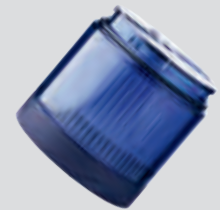
Outstanding brightness. With up to 6 times the brightness, the PC7 leaves competitors' signal towers in the shade and guarantees the best possible signalling effect – even when faced with the challenge of very bright conditions.

Auer Signal's PC7 standard modules deliver a performance that other signal towers can only provide with high-performance modules. With its outstanding brightness and multitude of additional features, the Modul Perfect 70 is the best and most future-proof signal tower on the market.

The PC7 LED modules offer not only a higher level of brightness, but also completely new functions, such as the simulation of a rotating light and the new top module.



All lens colours and types are also available as a top module.



LED

The perfect light modules

Multi function

A true all-rounder – the new PC7 multi function module can provide steady light, flashing light, strobe light and double strobe light functions. The different functions can be user-defined in each module via a DIP switch.

Rotating light

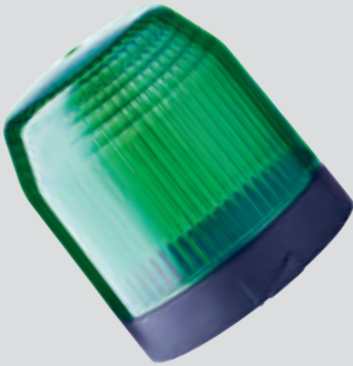
The PC7 is our first signal tower to offer an LED rotating light module. This rotating light module can be operated with 2 rotation speeds – 90 and 180 rpm – via a DIP switch.

Multi colour

7 colours can be switched externally in the LED multi colour module: (red, yellow, green, blue, clear, magenta and turquoise). Thanks to binary switching, 4 extra modules can be used in addition to a multi colour module.



Thanks to lenses on the circuit board, which concentrate the light, the PC7 achieves a higher level brightness with no increase in energy consumption.



4 functions
and 7 colours

Steady light

The PC7 LED steady light beacon module is the ideal choice when it comes to standard applications. But when we say "standard", we mean functions that other suppliers only offer on expensive high-performance modules.

PC7TD

Top multi-tone
alarm sounder
module



PC7ZM

Top multi-
tone module



The perfect
tone modules

UP TO

105 dB

The PC7 is not only brighter, it also delivers a superior acoustic performance to other signal towers thanks to its new inline-enabled multi-tone module, its multi-tone alarm sounder module and its innovative MP3/voice output module.



Multi-tone

TOP OR INLINE

Previously, the tone module was always at the top of a signal tower. The new inline tone module of the PC7 can be placed in any position within the tower. DIP switches can be used to select one of eight tones with an adjustable volume of up to 102 dB. This makes the inline tone module a flexible piezo multi-tone sounder which can be combined with the top light module to form a visual-audible signalling device.

Multi-tone sounder

BEST POSSIBLE TONE QUALITY AND EXTREMELY VERSATILE

By using a sound capsule, the multi-tone alarm sounder module offers significantly better tone quality than the multi-tone module. 7 different signal tones can be activated externally from a range of 80 via 3 inputs. These 7 signal tones form one of a total of 16 tone groups. 4 extra modules can be used in conjunction with a multi-tone alarm sounder module. If only one input on the multi-tone alarm sounder module is in use, as many as 6 extra modules can be used. It is also possible to customise the upper/lower tone frequency, cycle and volume of the tone.

MP3/voice output

CAN BE PROGRAMMED INDIVIDUALLY

The MP3/voice output module allows you to select and play up to 7 different voice messages or melodies. The output is selected via external switching. The MP3/voice output module can be easily programmed and customised by the customer via a USB interface beforehand.

The top of the tower



The new top module

Double the amount of light and expanded beam angle for even more applications. The top module is even brighter than the standard light modules and has an expanded, hemispherical signalling effect. This means that the top module allows the PC7 to be used in a wider range of applications.



180°

VERTICAL BEAM ANGLE

The top module light provides not only 360° lighting, but also 180° hemispherical lighting at the top or bottom, depending on how the tower is mounted. This increases the signalling effect and ensures that the tower is clearly visible at different heights.

**A TOP MODULE AND AN INLINE TONE MODULE
CAN BE CONVERTED INTO A DEDICATED
VISUAL-AUDIBLE SIGNALLING DEVICE.**

If the new top module is combined with an inline tone module and a base, the PC7 becomes a high-performance visual-audible signalling device that offers a multitude of signalling options.



The tallest Signal Tower



7 positions possible

The unique, patented contacting enables up to 7 positions thanks to 8 inner contacts. As a result, the PC7 is not only the tallest signal tower, but also the one that offers the most combination options. This makes it future-proof and equipped for any application.



The unique, patented inner contacting provides an unprecedented range of options.



8

CONTACTS

7

POSITIONS

Different individual modules require different numbers of contacts. The new inner contacting offers 8 contacts, which enable a total of 7 positions. This makes challenging, visual-audible tower variants feasible. The unique and patented inner contacting also enhances the visual appearance of the PC7, as the externally visible contacting wires that were previously used are no longer required.

Each module uses a different number of contacts based on the function. The PC7 has 8 contacts, enabling up to 7 positions. This opens up possibilities for entirely new combinations.

THE COMPACT MULTI FUNCTION TOWER

This tower is an example of a signalling tower that has not been technically feasible until now. Featuring a multi-tone alarm sounder module for the best possible tone quality and variety, a multi colour module and a multi function module, this compact tower is ideal for demanding applications that require a high degree of flexibility.



**MULTI-TONE ALARM
SOUNDER MODULE** PC7 TD

This module uses 3 contacts

**LED MULTI
COLOUR MODULE** PC7 DM

This module uses 3 contacts

**LED MULTI FUNCTION
MODULE, MAGENTA** PC7 DF

This module uses 1 contact

**UPPER BASE PART
FOR LOW VOLTAGE** PC7 BLV

up to 7 modules

**"FOOT ADAPTER" QUICK
MOUNTING SYSTEM** PC7 FR

on aluminium tube

**TWO SIGNAL
TOWERS IN ONE**

With 7 positions, this signal tower variant provides the functions of two conventional beacons. The functions of the individual modules can be freely selected in this case: steady light, rotating light or multi function.



**TOP LED MULTI
FUNCTION MODULE, RED** PC7 DFB

This module uses 1 contact



MULTI-TONE MODULE PC7 ZI

This module uses 1 contact



**LED STEADY LIGHT
BEACON MODULE, ORANGE** PC7 DC

This module uses 1 contact



**LED STEADY LIGHT
BEACON MODULE, GREEN** PC7 DC

This module uses 1 contact



MULTI-TONE MODULE PC7 ZI

This module uses 1 contact



**LED STEADY LIGHT
BEACON MODULE, ORANGE** PC7 DC

This module uses 1 contact



**LED STEADY LIGHT
BEACON MODULE, GREEN** PC7 DC

This module uses 1 contact



**BASE WITH INTEGRATED
5-PIN M12 CONNECTOR** PC7 MC5

**THE 110-240 V
ALL-ROUNDER WITH
VOICE MODULE**

The tower is equipped with a transformation module for operation with 240 V. The MP3/voice module is able to play back voice recordings and melodies that have been custom-programmed by the user. With its combination of several individual light modules, each with different functions, this configuration example fulfils all the requirements that an exceptional signal tower should meet.



**TOP MP3/VOICE
OUTPUT MODULE** PC7 VS

This module uses 3 contacts



**LED ROTATING LIGHT
MODULE, YELLOW** PC7 DR

This module uses 1 contact



**LED STEADY LIGHT
BEACON MODULE, MAGENTA** PC7 DC

This module uses 1 contact



**LED MULTI FUNCTION
MODULE, CLEAR** PC7 DF

This module uses 1 contact



**LED STEADY LIGHT
BEACON MODULE, GREEN** PC7 DC

This module uses 1 contact



**UPPER BASE PART FOR
HIGH VOLTAGE (110-240 V)** PC7 BHV7

up to 7 modules



**TUBE BASE ON
ALUMINIUM TUBE** PC7 MR

With plastic foot (tube length = 100 mm)



**THE 24 V ALL-ROUNDER
SIGNAL TOWER WITH MULTI-
TONE SOUNDER**

This configuration example shows a conventional 24 V signal tower with 7 positions, a multi-tone module and 6 light modules featuring a highly diverse range of functions and colours. This configuration is a versatile solution that meets all the requirements of a visual-audible signal solution and is able to communicate a wide variety of information.



TOP MULTI-TONE MODULE

PC7 ZM

This module uses 1 contact



**LED ROTATING LIGHT
MODULE, MAGENTA**

PC7 DR

This module uses 1 contact



**LED MULTI FUNCTION
MODULE, YELLOW**

PC7 DF

This module uses 1 contact



**LED STEADY LIGHT
BEACON MODULE, BLUE**

PC7 DC

This module uses 1 contact



**LED ROTATING LIGHT
MODULE, RED**

PC7 DR

This module uses 1 contact



**LED MULTI FUNCTION
MODULE, ORANGE**

PC7 DF

This module uses 1 contact



**LED STEADY LIGHT
BEACON MODULE, GREEN**

PC7 DC

This module uses 1 contact



**UPPER BASE PART
FOR LOW VOLTAGE**

PC7 BLV

up to 7 modules



**BASE FOR HORIZONTAL
MOUNTING**

PC7 MW

With NPT 1/2" thread



One module, two appearances

Diffusor

Without altering the signalling effect too greatly, you can choose between a clear or a diffuse signal tower appearance with our new diffuser films. The diffuser films are available as accessories and can be effortlessly placed in each individual module, even at a later point. This allows the PC7 to provide a single tower with two appearances – to suit whatever your preferences are.





10

PC7

Boost my
Light.

Aver Signal

IO-Link

Upgrades for steady light modules

Easiest parameterization on the market

IO-Link integration directly into the base

Easy change-over of existing signal towers



PC7MC5IO

IO-LINK BASE WITH 5-PIN M12 CONNECTOR

Order number	910781781
Operating temperature	-30°C / +70 °C (UL: -30°C / +45°C)
Degree of protection	IP66 & IP67
Impact resistance	IK08



PC7BLVIO

IO-LINK BASE

Order number	910771771
Operating temperature	-30°C / +70 °C
Degree of protection	IP66 & IP67
Impact resistance	IK08

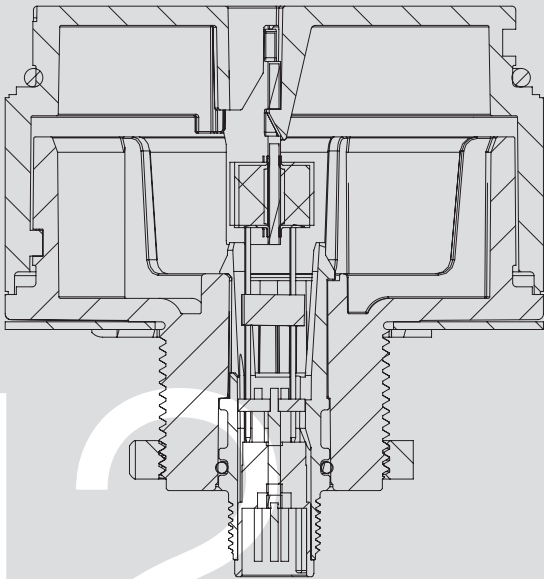


More information



Configurator





M12

The new, cost-effective M12 connector base



Easy connection to bus and digital networks



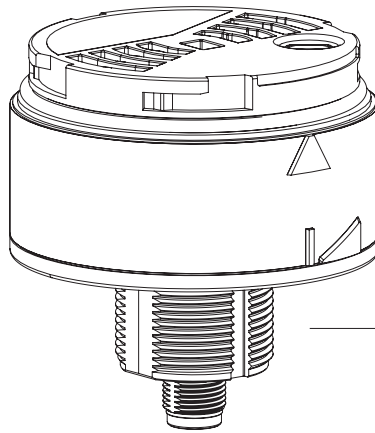
8-pin connector



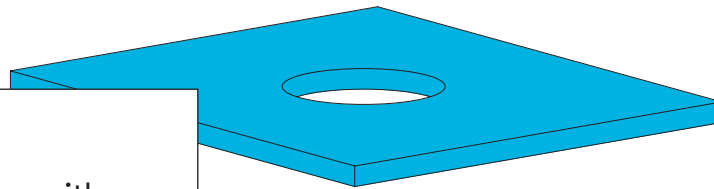
5-pin connector

This M12 connector base is the perfect solution for applications where quick, easy and cost-effective installation of the signal tower is a key priority.

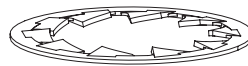
The PC7 offers all common mounting types, which will already be familiar from other Auer Signal signal towers. In addition, there is now also an M12 connector base which can be mounted quickly with an M30 nut using single-hole mounting.



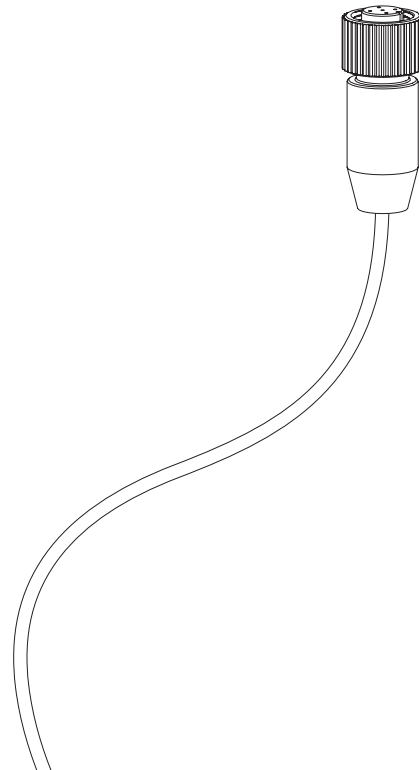
Easy M30 single-hole mounting



Compact mounting with M12 circular connector



Suitable for 5-pin or 8-pin connectors



One tower, lots of mounting options

PC7FR
Quick
mounting
system



PC7MV
Base for
vertical
mounting



PC7RS
Tube base
with screw



PC7MW
Base for
horizontal
mounting



PC7MR
Tube base



PC7MS
Base for
horizontal
mounting



PC7MC8
8-pin M12
connector



PC7MC5
5-pin M12
connector



The upper base parts for operation with 110–240 V AC



**SUITABLE FOR UP
TO 3 POSITIONS**

PC7BHV3

In the case of a signal tower with a maximum of 3 tiers, the high-voltage upper base part PC7BHV3 is the same height as the 24 V upper base part PC7BLV.



**SUITABLE FOR UP
TO 7 POSITIONS**

PC7BHV7

In the case of a signal tower with up to 7 tiers, the upper base part PC7BHV7 is twice the height, but still only half the height of comparable competitor products.

In order to keep costs and the diversity of parts to a minimum, all PC7 modules only work with 24 V AC/DC nominal voltage. With the two high-voltage upper base parts, the modules can also be operated with 110–240 V AC.

Seven compelling reasons to choose Auer Signal

1

WE DEVELOP OUR OWN PRODUCTS AND PRODUCTION IS COMPLETED TO THE HIGHEST OF INDUSTRIAL STANDARDS

All of the development work for our products is taken care of in-house – from the initial planning to the design stage.

We are most proud of our electronic development, with state-of-the-art industrial machines in use for production and innovative IT solutions ensuring that our production processes are continually optimised.

Thorough and detailed testing enables us to achieve optimum quality. We are particularly proud of our performance in electronic development.

2

EVERY PRODUCT WE CREATE IS OF EXCEPTIONAL QUALITY

We only use premium materials in our production processes and polycarbonate is one of our key resources, as it is impact-proof, UV-resistant and colour-fast.

We always ensure that our visual signalling equipment has an intelligent lens design and features state-of-the-art LED technology. To meet the highest of demands for signalling, we supply products with the most effective high-power LEDs available.

Our modular signal towers are created with the utmost precision, helping our company to stand out from the crowd by offering innovative detailed solutions. Audible signalling equipment from Auer Signal is among the loudest on the market.

3

WE HAVE PRODUCTS FOR EVERY APPLICATION – RANGING FROM THE PREMIUM TO THE VALUE SEGMENT

Our extensive product portfolio covers all of the requirements across our signalling equipment markets. As well as our high-end equipment, our range also includes some exciting products with an excellent price-performance ratio.

We offer our customers an extensive product portfolio that is tailored to specifications.

From automation technology, mechanical and plant engineering and building technology to the chemical and petrochemical sectors, safety applications and even uses under extreme conditions, we serve all sectors and branches of industry.

4

WE DEVELOP AND PRODUCE TAILOR-MADE SIGNALLING EQUIPMENT

Our ability to listen teamed with our engineers' passion for developing new products and special solutions to suit specific requirements has been key to our success.

With products being fully developed in-house, adjustments being made in line with a customer's own product design, and special wiring options and types of mounting, we are confident that we are the number one partner when it comes to implementing any customer requirements that are specific to them or their sector.

5

OUR SIGNALLING EQUIPMENT COMPLIES WITH THE REQUIRED INDUSTRY STANDARDS FOR USE AROUND THE WORLD

We live and breathe quality and safety standards. Plus, as Auer Signal is an international company, our signalling equipment is globally approved and can be used all around the world. UL, EAC, CE, ATEX and ISO certifications make up the most important marks and safety standards for Auer signalling equipment.



7

WE ALWAYS DELIVER ON TIME

We have an excellent record when it comes to delivering on time, meeting our deadlines in 99.7% of cases, working to a just-in-time supply system. Keeping our delivery promises belongs to our traditions and ensures that our customers are very satisfied and loyal.

6

WE KEEP OUR PROMISES (AND HAVE BEEN DOING SO SINCE 1910)

Auer Signal is an owner-run family company in its fourth generation. We are a well-established company that has been a reliable partner for more than 100 years now. For all of our customers and partners, our unwavering trustworthiness is a convincing selling point that they have come to value highly. We have a dedicated team of highly skilled employees who are friendly and personable as they work quickly to see to our customers' every wish and desire. This is reflected in the international business relationships we have built up on trust and reliability, which are still standing after decades.

Auer Signal is one of the world's leading manufacturers of signalling equipment

We are constantly working on new product developments. Through our innovation, foresight and dependability, we have been inspiring our customers since 1910. To ensure we continue to do this into the future, we are approaching our market presence in a similar way to our signalling equipment – making it louder & brighter.

Since 1910, what has spurred us on is the desire to develop technical equipment that continually improves on previous versions.

Auer Signal is an owner-managed business in its fourth generation and has big ambitions. As a family-run company, trust, dependability and reliability are key values for us.



Louder & Brighter since 1910.

HEADQUARTER

Auer Signal GmbH

Perfektastrasse 102
1230 Vienna, Austria

T +43 1 813 82 20

F +43 1 815 99 51

office@auersignal.com

www.auersignal.com