

UL61058 Approved

SPECIFICATIONS:

RATING: 10A 250AC, 15A 125VAC.
 INSULATION RESISTANCE: DC 500V 200M-ohms min.
 CONTACT RESISTANCE: DC 2-4V 1A 20m-ohms max.
 WITHSTAND VOLTAGE: AC 1500V for 1 minute.

MATERIALS:

BUSHING: C3604 brass.
 COVER: Iron.
 ACTUATOR: C3604 brass.
 CONTACT ARM: Red brass.
 SILVER CONTACT: AG SNO₂+IN.
 CONTACT HOLDER: Red brass.
 HOUSING: Phenolic resin.
 TERMINAL: Bronze.
 SCREW: Iron.

SPST

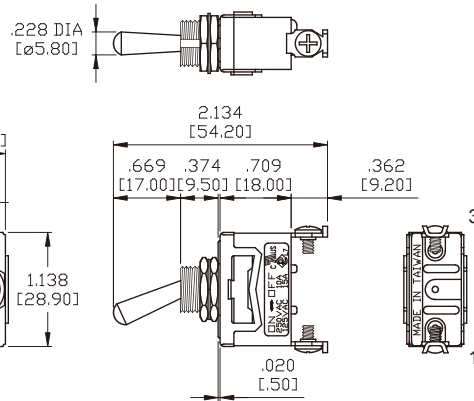


Model No.	Switching Position		
	2P-1	ON	NONE
2P-A	MOM	NONE	OFF
Term. Comm.	1-3	OPEN	OPEN

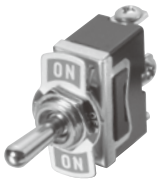
Schematic



Switching Plate (ON-OFF etc.) available



SPDT

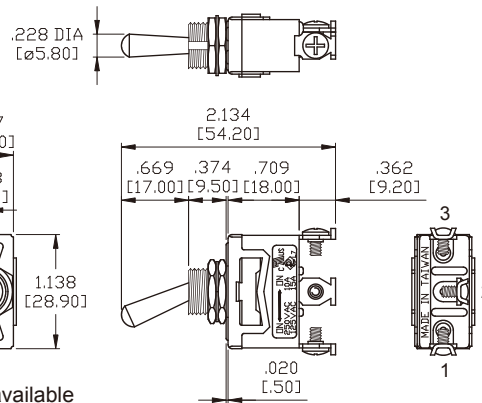


Model No.	Switching Position		
	SP-1	ON	NONE
SP-A	MOM	NONE	ON
SP-3	ON	OFF	ON
SP-4	MOM	OFF	MOM
SP-T	MOM	OFF	ON
Term. Comm.	2-3	OPEN	2-1

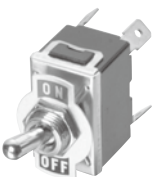
Schematic



Switching Plate (ON-ON etc.) available



DPST

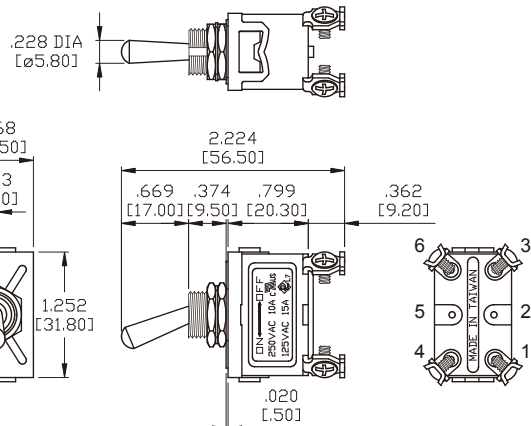


Model No.	Switching Position		
	FP-1	ON	NONE
FP-A	MOM	NONE	OFF
Term. Comm.	1-3, 4-6	OPEN	OPEN

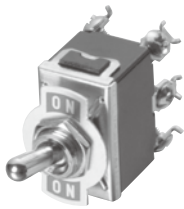
Schematic



Switching Plate (ON-OFF etc.) available

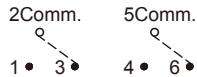


DPDT

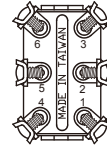
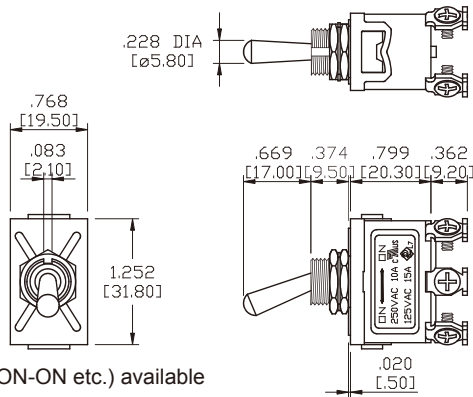


Model No.	Switching Position		
DP-1	ON	NONE	ON
DP-A	MOM	NONE	ON
DP-3	ON	OFF	ON
DP-4	MOM	OFF	MOM
DP-T	MOM	OFF	ON
Term. Comm.	2-3, 5-6	OPEN	2-1, 5-4

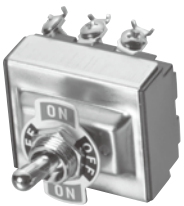
Schematic



Switching Plate (ON-ON etc.) available



3PDT

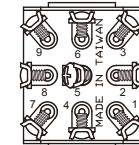
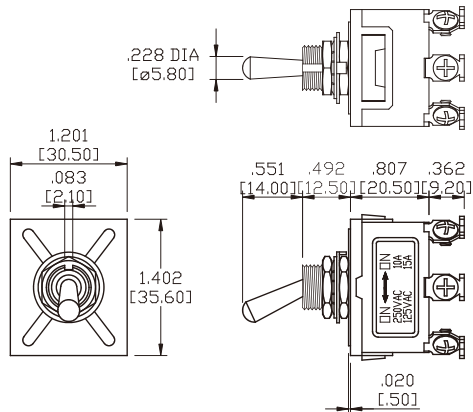


Model No.	Switching Position		
3P-1	ON	NONE	ON
3P-3	ON	OFF	ON
3P-4	MOM	OFF	MOM
Term. Comm.	2-1, 5-4 8-7	OPEN	2-3, 5-6 8-9

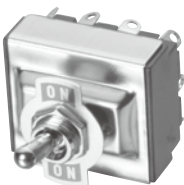
Schematic



Switching Plate (ON-ON etc.) available

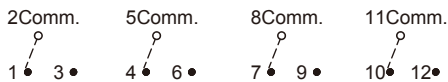


4PDT

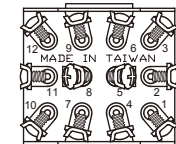
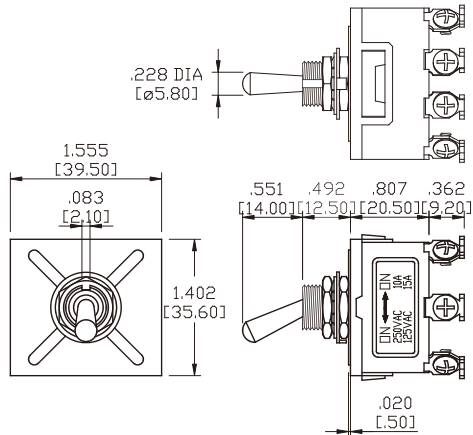


Model No.	Switching Position		
4P-1	ON	NONE	ON
4P-3	ON	OFF	ON
4P-4	MOM	OFF	MOM
Term. Comm.	2-1, 5-4 8-7 11-10	OPEN	2-3, 5-6 8-9 11-12

Schematic

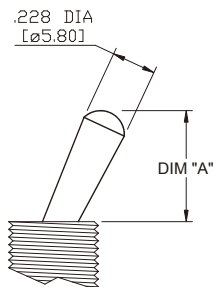


Switching Plate (ON-ON etc.) available

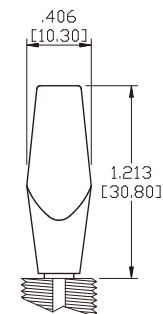


ACTUATOR OPTIONS

OPTION CODE	DIM "A"
A1	.433 [11.00]
A2	.571 [14.50]
A3	.669 [17.00]
A4	.827 [21.00]
A5	1.181 [30.00]



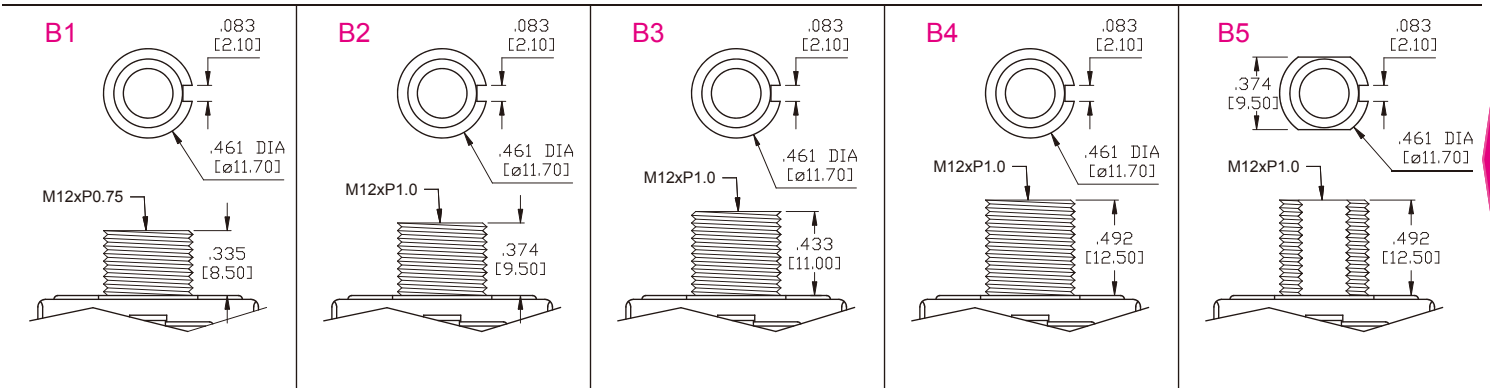
P1



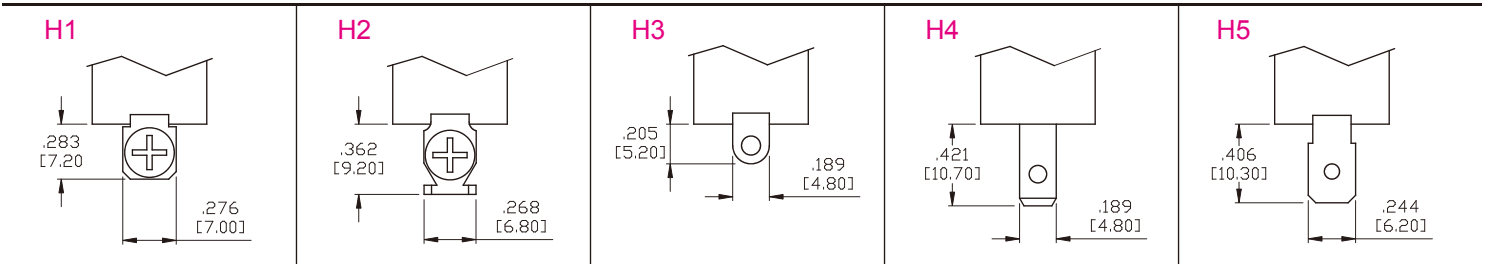
Actuator length shown for A1~A5 is with B2 bushing

Only available with B3 bushing

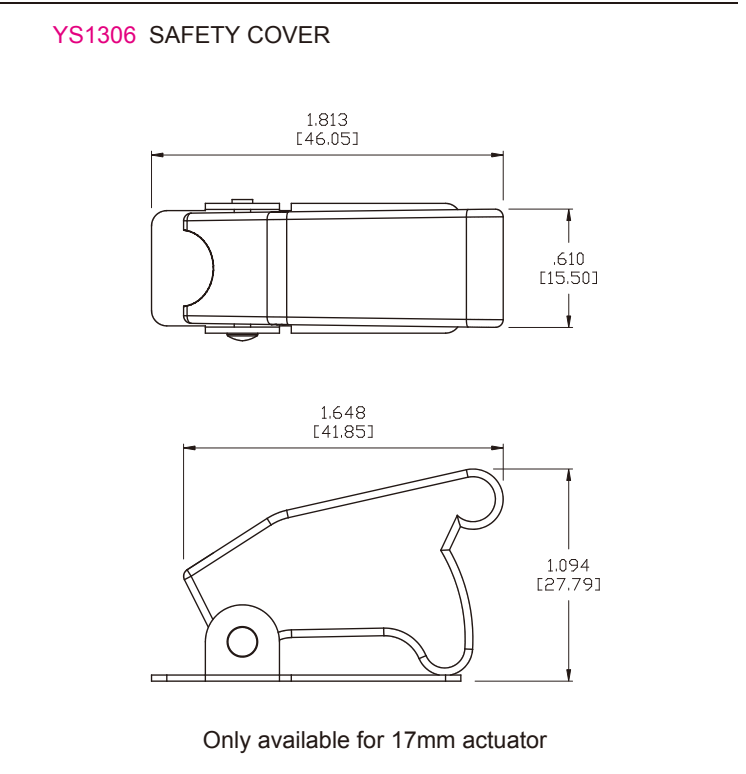
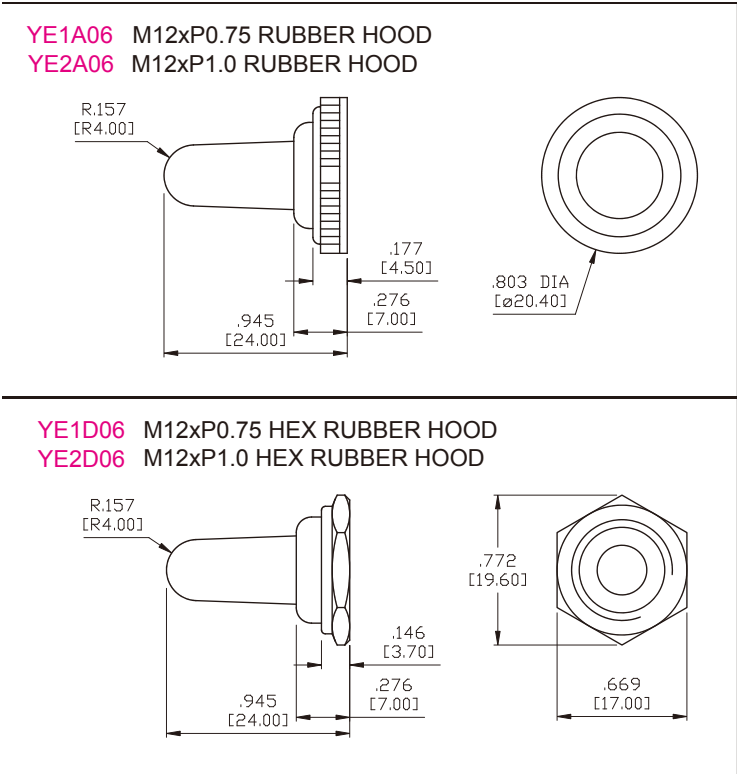
BUSHING OPTIONS



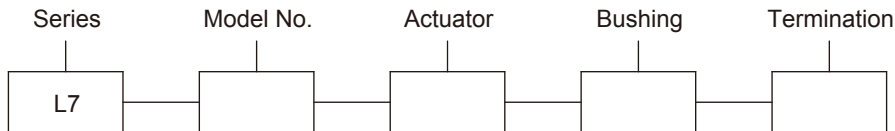
TERMINATION OPTIONS



OPTIONAL TOGGLE CAPS



HOW TO ORDER



Specifications and Dimensions subject to change

Toggle

Rocker

Slide

Pushbutton

AV

Rotary

Tact

Touch Key

Miscellaneous