

IB IL 24/230 DOR4/W-PAC - Relay module



2861878

<https://www.phoenixcontact.com/au/products/2861878>

Please be informed that the data shown in this PDF document is generated from our online catalog. Please find the complete data in the user documentation. Our general terms of use for downloads are valid.



Inline, Relay terminal, Relay outputs: 4 (floating), Changeover contact, 24 V DC, 230 V AC, for switching ohmic loads, transmission speed in the local bus: 500 kbps, degree of protection: IP20, including Inline connectors and marking fields

Product description

The terminal is designed for use within an Inline station. The terminal has four floating relay changeover contacts. The terminal can be used in the PELV area and in the AC area. Observe the applicable regulations and safety notes when using the terminal in the AC area. Features - Safe isolation in accordance with EN 50178 - Floating connection for four actuators - Nominal current at the output: 3 A - Total current of the terminal: 4x 3 A = 12 A - Diagnostic and status indicators

Your advantages

- Safe isolation
- Floating connections for 4 actuators
- Nominal current at the output: 3 A
- Total current of the terminal: 3 A
- Diagnostic and status indicators

Commercial data

Item number	2861878
Packing unit	1 pc
Minimum order quantity	1 pc
Sales key	DRI133
Product key	DRI133
GTIN	4017918894573
Weight per piece (including packing)	216.4 g
Weight per piece (excluding packing)	138 g
Customs tariff number	85389099
Country of origin	DE

IB IL 24/230 DOR4/W-PAC - Relay module



2861878

<https://www.phoenixcontact.com/au/products/2861878>

Technical data

Dimensions

Dimensional drawing	
Width	48.8 mm
Height	119.8 mm
Depth	71.5 mm
Note on dimensions	Housing dimensions

Notes

Note on application	
Note on application	Only for industrial use

Interfaces

Inline local bus	
Number of interfaces	2
Connection method	Inline data jumper
Transmission speed	500 kbps

System properties

Module	
ID code (dec.)	189
ID code (hex)	BD
Length code (hex)	41
Length code (dec)	65
Process data channel	4 bit
Input address area	0 Byte
Output address area	4 bit
Register length	4 bit
Required parameter data	3 Byte
Required configuration data	4 Byte

Output data

Relay	
Number of outputs	4 (floating)
Connection method	Spring-cage connection

IB IL 24/230 DOR4/W-PAC - Relay module



2861878

<https://www.phoenixcontact.com/au/products/2861878>

Contact switching type	Changeover contact
Switching voltage	min. 5 V DC
	max. 250 V DC

Product properties

Product type	I/O component
Product family	Inline
Type	modular
Scope of supply	including Inline connectors and marking fields
No. of channels	4
Special properties	for switching ohmic loads

Electrical properties

Maximum power dissipation for nominal condition	2.85 W
---	--------

Potentials: Communications power (U_L)

Supply voltage	7.5 V DC (via voltage jumper)
Current draw	max. 187 mA

Electrical isolation/isolation of the voltage ranges

Test voltage: Relay contact / Bus logics	4 kV, 50 Hz, 1 min
Test voltage: Contact/contact	1 kV, 50 Hz, 1 min
Test voltage: Contact / PE	1 kV, 50 Hz, 1 min

Connection data

Connection technology

Connection name	Inline connector
-----------------	------------------

Conductor connection

Connection method	Spring-cage connection
Conductor cross section rigid	0.08 mm ² ... 1.5 mm ²
Conductor cross section flexible	0.08 mm ² ... 1.5 mm ²
Conductor cross section AWG	28 ... 16
Stripping length	8 mm

Inline connector

Connection method	Spring-cage connection
Conductor cross section, rigid	0.08 mm ² ... 1.5 mm ²
Conductor cross section, flexible	0.08 mm ² ... 1.5 mm ²
Conductor cross section AWG	28 ... 16
Stripping length	8 mm

Environmental and real-life conditions

Ambient conditions

Ambient temperature (operation)	-25 °C ... 55 °C
---------------------------------	------------------

IB IL 24/230 DOR4/W-PAC - Relay module



2861878

<https://www.phoenixcontact.com/au/products/2861878>

Degree of protection	IP20
Air pressure (operation)	70 kPa ... 106 kPa (up to 3000 m above sea level)
Air pressure (storage/transport)	70 kPa ... 106 kPa (up to 3000 m above sea level)
Ambient temperature (storage/transport)	-25 °C ... 85 °C
Permissible humidity (operation)	0 % ... 85 % (in the range of -25°C ... +55°C, appropriate measures against increased humidity (> 85%) must be taken.)
Permissible humidity (storage/transport)	0 % ... 85 % (slight temporary condensation may sometimes appear on the housing)

Standards and regulations

Protection class	I (IEC 61140, EN 61140, VDE 0140-1)
------------------	-------------------------------------

Mounting

Mounting type	DIN rail mounting
---------------	-------------------

IB IL 24/230 DOR4/W-PAC - Relay module

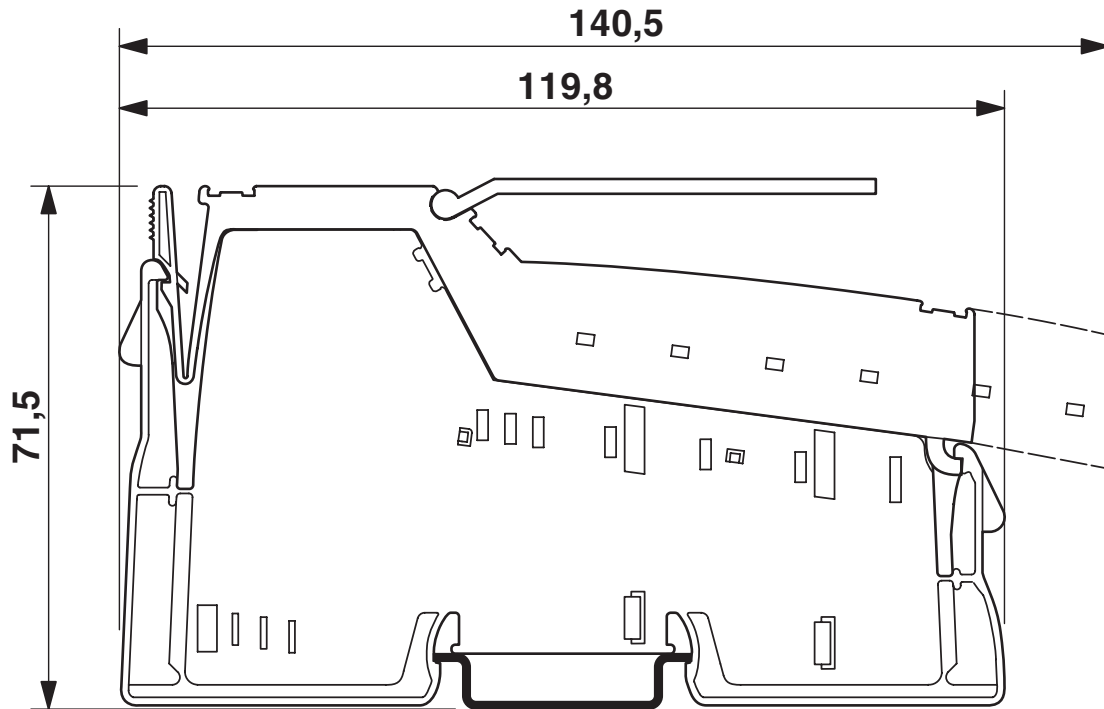


2861878

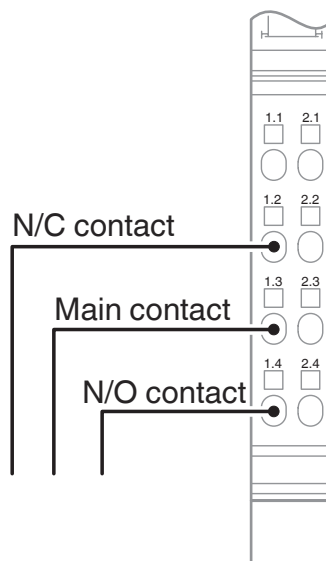
<https://www.phoenixcontact.com/au/products/2861878>

Drawings

Dimensional drawing



Connection diagram



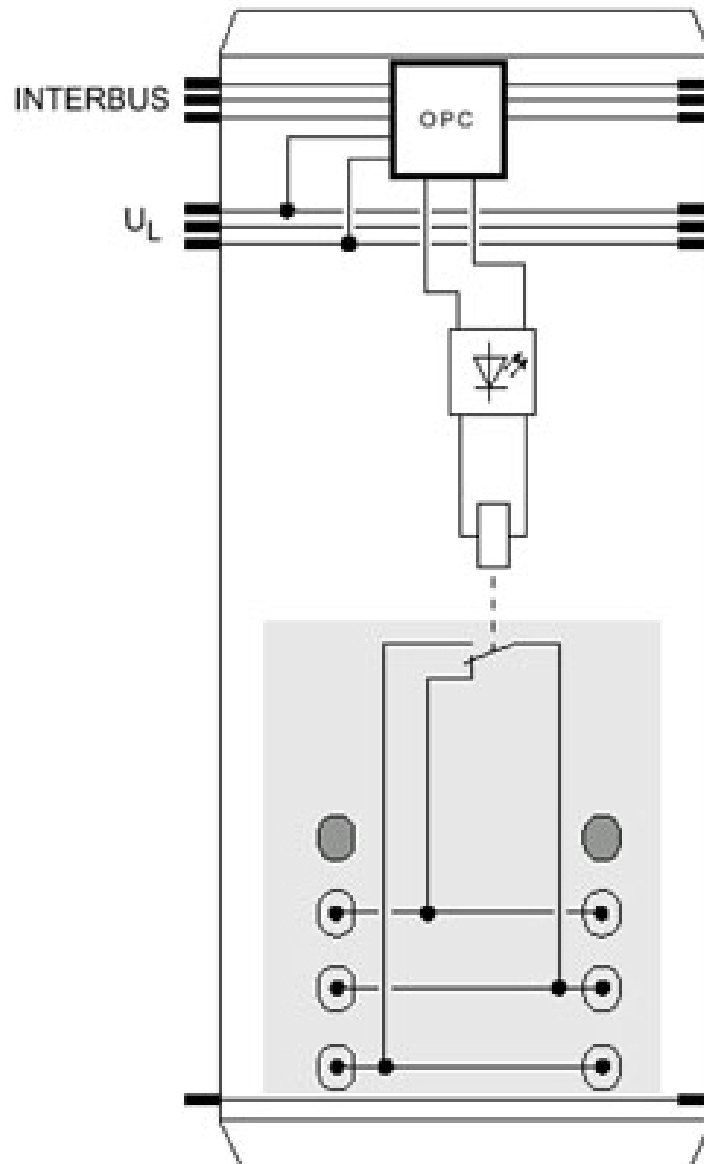
IB IL 24/230 DOR4/W-PAC - Relay module

2861878

<https://www.phoenixcontact.com/au/products/2861878>



Block diagram



IB IL 24/230 DOR4/W-PAC - Relay module



2861878

<https://www.phoenixcontact.com/au/products/2861878>

Approvals

To download certificates, visit the product detail page: <https://www.phoenixcontact.com/au/products/2861878>



DNV GL

Approval ID: TAA00000BN



LR

Approval ID: LR23398855TA



BV

Approval ID: 21725/C1 BV

BSH

Approval ID: 658a



RINA

Approval ID: ELE121121XG

ABS

Approval ID: 22-2226444-PDA



cULus Recognized

Approval ID: E140324

IB IL 24/230 DOR4/W-PAC - Relay module



2861878

<https://www.phoenixcontact.com/au/products/2861878>

Classifications

ECLASS

ECLASS-13.0	27242604
ECLASS-15.0	27242604

ETIM

ETIM 9.0	EC001599
----------	----------

UNSPSC

UNSPSC 21.0	32151600
-------------	----------

IB IL 24/230 DOR4/W-PAC - Relay module



2861878

<https://www.phoenixcontact.com/au/products/2861878>

Environmental product compliance

EU RoHS

Fulfills EU RoHS substance requirements	Yes
Exemption	7(a), 7(c)-I

China RoHS

Environment friendly use period (EFUP)	EFUP-50
	An article-related China RoHS declaration table can be found in the download area for the respective article under "Manufacturer declaration". For all articles with EFUP-E, no China RoHS declaration table issued and required.

EU REACH SVHC

REACH candidate substance (CAS No.)	Lead(CAS: 7439-92-1)
SCIP	aa33a80b-10d2-497c-9332-4cda31e84913

Phoenix Contact 2025 © - all rights reserved

<https://www.phoenixcontact.com>

PHOENIX CONTACT PTY Ltd

Unit 7, 2-8 South Street

Rydalmere NSW 2116

1300 786 411

customerservice@phoenixcontact.com.au