

IB IL 24 SEG/F-D-PAC - Segmentation module



2861904

<https://www.phoenixcontact.com/au/products/2861904>

Please be informed that the data shown in this PDF document is generated from our online catalog. Please find the complete data in the user documentation. Our general terms of use for downloads are valid.



Inline segment terminal block, complete with accessories (connector and labeling field), 24 V DC, with fuse and diagnostics

Product description

The terminal is designed for use within an Inline station. This terminal can be used to create a partial circuit (segment circuit) within a main circuit. The terminal is not used for voltage supply. It therefore does not have any elements for protection against polarity reversal and surge voltage. The terminal has an LED for bus diagnostics and occupies two input data bits, which are used to indicate the presence of the supply voltage and the state of the fuse.

Your advantages

- Automatic creation of a segment circuit in the main circuit
- Segment circuit protected by an internal fuse
- Diagnostic and status indicators

Commercial data

Item number	2861904
Packing unit	1 pc
Minimum order quantity	1 pc
Sales key	DRI122
Product key	DRI122
GTIN	4017918894603
Weight per piece (including packing)	82.7 g
Weight per piece (excluding packing)	42 g
Customs tariff number	85389099
Country of origin	DE

IB IL 24 SEG/F-D-PAC - Segmentation module

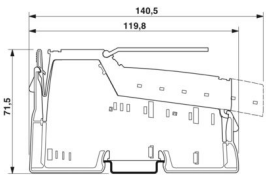


2861904

<https://www.phoenixcontact.com/au/products/2861904>

Technical data

Dimensions

Dimensional drawing	
Width	12.2 mm
Height	119.8 mm
Depth	71.5 mm

Notes

Note on application

Note on application	Only for industrial use
---------------------	-------------------------

Utilization restriction

CCCex note	Use in potentially explosive areas is not permitted in China.
------------	---

Interfaces

Inline local bus

Number of interfaces	2
Connection method	Inline data jumper
Transmission speed	500 kbps

System properties

Module

ID code (dec.)	190
ID code (hex)	BE
Length code (hex)	C2
Length code (dec)	194
Process data channel	2 bit
Input address area	2 bit
Output address area	0 bit
Register length	2 bit
Required parameter data	1 Byte
Required configuration data	4 Byte

Product properties

Product type	I/O component
Product family	Inline

IB IL 24 SEG/F-D-PAC - Segmentation module



2861904

<https://www.phoenixcontact.com/au/products/2861904>

Type	modular
Number of plugs	1

Insulation characteristics

Protection class	III (IEC 61140, EN 61140, VDE 0140-1)
------------------	---------------------------------------

Electrical properties

Maximum power dissipation for nominal condition	0.8 W
Test section	7.5 V supply (bus logics)/24 V supply (I/O) 500 V AC 50 Hz 1 min
	24 V supply (I/O) / functional ground 500 V AC 50 Hz 1 min
	7.5 V supply (bus logic)/functional ground 500 V AC 50 Hz 1 min
Protective circuit	Overload protection; Fuse
Fuse	SI 5 x 20 6, 300 AT (in scope of delivery)

Supply

I/O voltage	24 V DC
I/O voltage range	19.2 V DC ... 30 V DC
Residual ripple	± 1.2 V
Max. current consumption	4 A
Typical current consumption	30 mA

Potentials: Communications power (U_L)

Supply voltage	7.5 V DC (via voltage jumper)
Current draw	max. 25 mA

Potentials: Main circuit supply (U_M)

Supply voltage	24 V DC
Supply voltage range	19.2 V DC ... 30 V DC (including all tolerances, including ripple)
Current draw	max. 4 A (nominal value)

Potentials: Segment circuit supply (U_S)

Supply voltage	24 V DC
Supply voltage range	19.2 V DC ... 30 V DC (including all tolerances, including ripple)

Connection data

Connection technology

Connection name	Inline connector
-----------------	------------------

Conductor connection

Connection method	Spring-cage connection
Conductor cross section rigid	0.08 mm ² ... 1.5 mm ²
Conductor cross section flexible	0.08 mm ² ... 1.5 mm ²
Conductor cross section AWG	28 ... 16
Stripping length	8 mm

Inline connector

Connection method	Spring-cage connection
-------------------	------------------------

2861904

<https://www.phoenixcontact.com/au/products/2861904>

Conductor cross section, rigid	0.08 mm ² ... 1.5 mm ²
Conductor cross section, flexible	0.08 mm ² ... 1.5 mm ²
Conductor cross section AWG	28 ... 16
Stripping length	8 mm

Environmental and real-life conditions

Ambient conditions

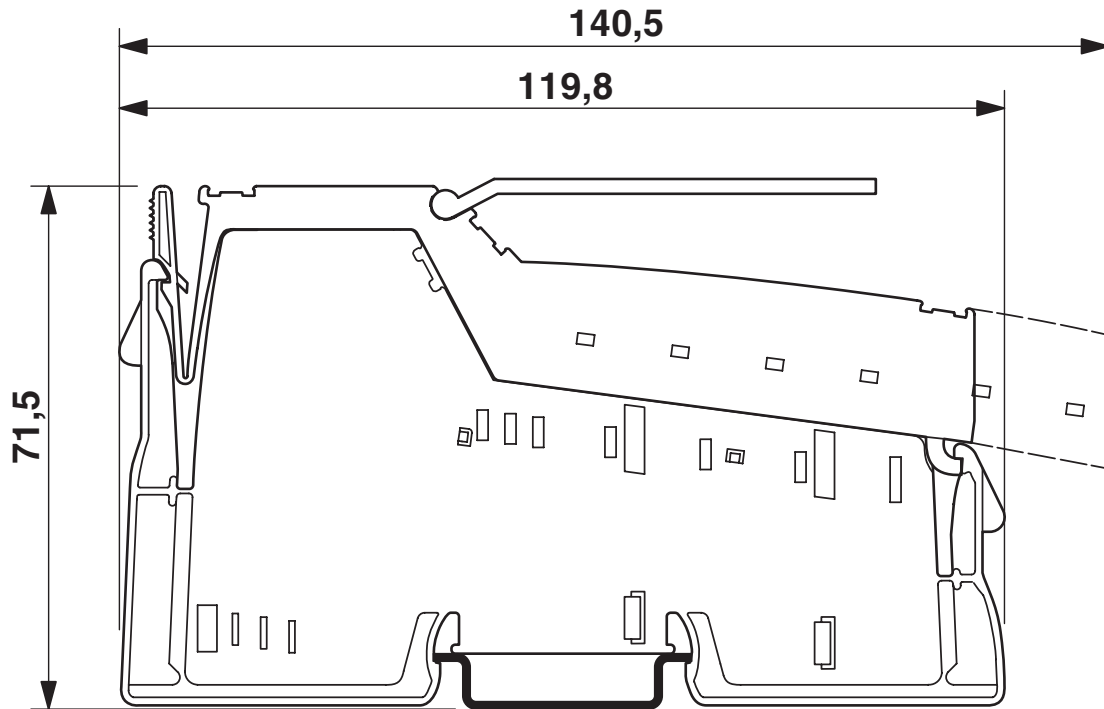
Degree of protection	IP20
Ambient temperature (operation)	-25 °C ... 55 °C
Ambient temperature (storage/transport)	-25 °C ... 85 °C
Permissible humidity (operation)	75 % ... 85 % (in the range of -25°C ... +55°C, appropriate measures against increased humidity (> 85%) must be taken.)
Permissible humidity (storage/transport)	75 % ... 85 % (Slight temporary condensation may sometimes appear on the housing, e.g. when the terminal block is brought out of a vehicle into an enclosed room.)

Mounting

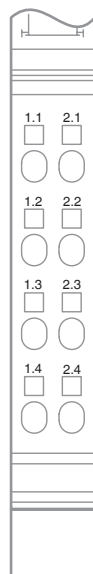
Mounting type	DIN rail mounting
---------------	-------------------

Drawings

Dimensional drawing



Connection diagram



U_M and U_S connected internally via fuse

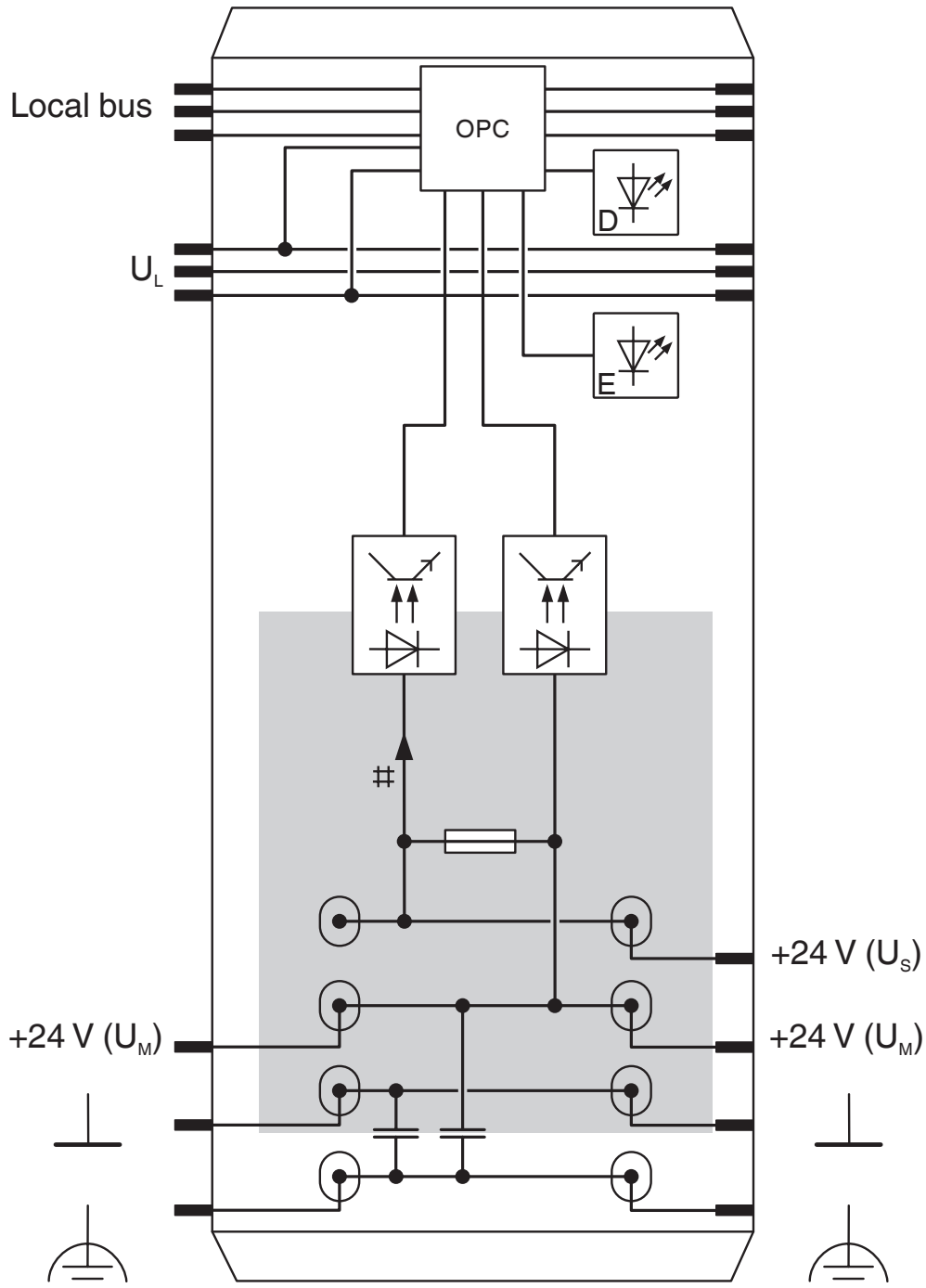
IB IL 24 SEG/F-D-PAC - Segmentation module

2861904

<https://www.phoenixcontact.com/au/products/2861904>



Block diagram



IB IL 24 SEG/F-D-PAC - Segmentation module



2861904

<https://www.phoenixcontact.com/au/products/2861904>

Approvals

To download certificates, visit the product detail page: <https://www.phoenixcontact.com/au/products/2861904>



cULus Recognized
Approval ID: E140324



cULus Listed
Approval ID: E199827

2861904

<https://www.phoenixcontact.com/au/products/2861904>

Classifications

ECLASS

ECLASS-13.0	27242610
ECLASS-15.0	27242610

ETIM

ETIM 9.0	EC001600
----------	----------

UNSPSC

UNSPSC 21.0	32151600
-------------	----------

2861904

<https://www.phoenixcontact.com/au/products/2861904>

Environmental product compliance

EU RoHS

Fulfills EU RoHS substance requirements	Yes
Exemption	7(a), 7(c)-I

China RoHS

Environment friendly use period (EFUP)	EFUP-E
	No hazardous substances above the limits

EU REACH SVHC

REACH candidate substance (CAS No.)	Lead(CAS: 7439-92-1)
SCIP	5937758a-8b43-4de7-9c5e-c871c955d8a3

Phoenix Contact 2025 © - all rights reserved
<https://www.phoenixcontact.com>

PHOENIX CONTACT PTY Ltd
Unit 7, 2-8 South Street
Rydalmere NSW 2116
1300 786 411
customerservice@phoenixcontact.com.au