

# IB IL 24 PWR IN/2-F-D-PAC - Feed-in module



2862152

<https://www.phoenixcontact.com/au/products/2862152>

Please be informed that the data shown in this PDF document is generated from our online catalog. Please find the complete data in the user documentation. Our general terms of use for downloads are valid.



Inline power terminal block, complete with accessories (connector and labeling field), 24 V DC, with fuse (Main and segment voltage) and diagnostics

## Product description

The terminal is designed for use within an Inline station. It provides a 24 V supply voltage to the main circuit ( $U_M$ ) and automatically supplies power for the 24 V segment circuit ( $U_S$ ). The terminal has protection against polarity reversal and surge voltage. The internal fuse protects the main and segment circuits. This terminal has an LED for bus diagnostics. It occupies two input data bits, which indicate the availability of the supply voltage and the status of the fuse.

## Your advantages

- Supply of the 24 V main voltage  $U_{M}$
- Provision of the 24 V segment voltage  $U_{S}$
- Main and segment circuits protected by an internal fuse

## Commercial data

Item number	2862152
Packing unit	1 pc
Minimum order quantity	1 pc
Sales key	DRI121
Product key	DRI121
GTIN	4017918894641
Weight per piece (including packing)	88.633 g
Weight per piece (excluding packing)	44 g
Customs tariff number	85389099
Country of origin	DE

# IB IL 24 PWR IN/2-F-D-PAC - Feed-in module

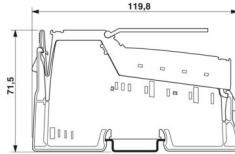


2862152

<https://www.phoenixcontact.com/au/products/2862152>

## Technical data

### Dimensions

Dimensional drawing	
Width	12.2 mm
Height	119.8 mm
Depth	71.5 mm

### Notes

#### Note on application

Note on application	Only for industrial use
---------------------	-------------------------

#### Utilization restriction

CCCex note	Use in potentially explosive areas is not permitted in China.
------------	---

### Interfaces

#### Inline local bus

Number of interfaces	2
Connection method	Inline data jumper
Transmission speed	500 kbps

### System properties

#### Module

ID code (dec.)	190
ID code (hex)	BE
Length code (hex)	C2
Length code (dec)	194
Process data channel	2 bit
Input address area	2 bit
Output address area	0 bit
Register length	2 bit
Required parameter data	1 Byte
Required configuration data	4 Byte

### Product properties

Product type	I/O component
Product family	Inline

# IB IL 24 PWR IN/2-F-D-PAC - Feed-in module



2862152

<https://www.phoenixcontact.com/au/products/2862152>

Type	modular
Number of plugs	1
Operating mode	Process data mode with 2 bits
Special properties	24 V DC
	$U_M, U_S$
	With fuse ( $U_M, U_S$ )
	With diagnostics

## Insulation characteristics

Protection class	III (IEC 61140, EN 61140, VDE 0140-1)
------------------	---------------------------------------

## Electrical properties

Maximum power dissipation for nominal condition	0.7 W
Test section	7.5 V supply (bus logics)/24 V supply (I/O) 500 V AC 50 Hz 1 min
	24 V supply (I/O) / functional ground 500 V AC 50 Hz 1 min
	7.5 V supply (bus logic)/functional ground 500 V AC 50 Hz 1 min
Protective circuit	Surge protection; Suppressor diode
	Reverse polarity protection; Parallel polarity protection diode
	Overload protection, short-circuit protection in the main and segment circuits; Fuse 5x20 with 6.3 A slow-blow Fuses with other values can also be used. The maximum fuse value is 6.3 A. For fuses with a value greater than 2 A, only slow-blow fuses may be used.
Fuse	SI 5 x 20 6, 300 AT (in scope of delivery)

## Supply

I/O voltage	24 V DC
I/O voltage range	19.2 V DC ... 30 V DC (including all tolerances, including ripple)
Residual ripple	$\pm \pm 5 \%$
Max. current consumption	4 A
Typical current consumption	30 mA

## Potentials: Communications power ( $U_L$ )

Supply voltage	7.5 V DC (via voltage jumper)
Current draw	max. 25 mA
Power consumption	max. 0.19 W

## Potentials: Main circuit supply ( $U_M$ )

Supply voltage	24 V DC (via Inline connector)
Supply voltage range	19.2 V ... 30 V (including all tolerances, including ripple)
Current draw	typ. 4 A (nominal value)

## Potentials: Segment circuit supply ( $U_S$ )

Supply voltage	24 V DC
Supply voltage range	19.2 V DC ... 30 V DC (including all tolerances, including ripple)
Current draw	typ. 4 A (nominal value)

## Connection data

# IB IL 24 PWR IN/2-F-D-PAC - Feed-in module



2862152

<https://www.phoenixcontact.com/au/products/2862152>

## Connection technology

Connection name	Inline connector
-----------------	------------------

## Conductor connection

Connection method	Spring-cage connection
Conductor cross section rigid	0.08 mm <sup>2</sup> ... 1.5 mm <sup>2</sup>
Conductor cross section flexible	0.08 mm <sup>2</sup> ... 1.5 mm <sup>2</sup>
Conductor cross section AWG	28 ... 16
Stripping length	8 mm

## Inline connector

Connection method	Spring-cage connection
Conductor cross section, rigid	0.08 mm <sup>2</sup> ... 1.5 mm <sup>2</sup>
Conductor cross section, flexible	0.08 mm <sup>2</sup> ... 1.5 mm <sup>2</sup>
Conductor cross section AWG	28 ... 16
Stripping length	8 mm

## Environmental and real-life conditions

### Ambient conditions

Degree of protection	IP20
Ambient temperature (operation)	-25 °C ... 55 °C
Ambient temperature (storage/transport)	-25 °C ... 85 °C
Permissible humidity (operation)	10 % ... 95 % (non-condensing)
Permissible humidity (storage/transport)	10 % ... 95 % (non-condensing)
Air pressure (operation)	70 kPa ... 106 kPa (up to 3000 m above sea level)
Air pressure (storage/transport)	70 kPa ... 106 kPa (up to 3000 m above sea level)

## Mounting

Mounting type	DIN rail mounting
---------------	-------------------

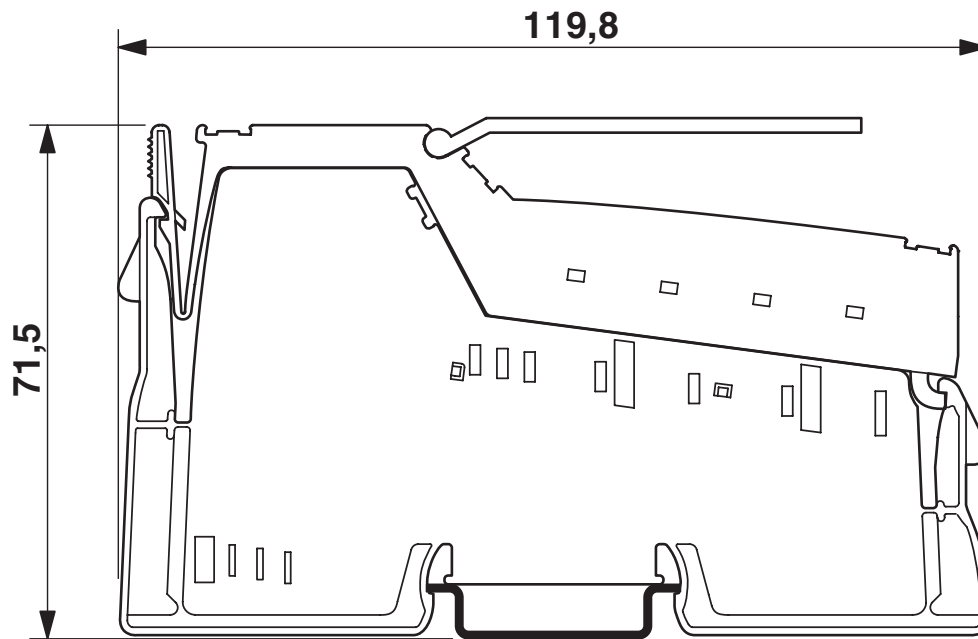
# IB IL 24 PWR IN/2-F-D-PAC - Feed-in module

2862152

<https://www.phoenixcontact.com/au/products/2862152>

## Drawings

Dimensional drawing



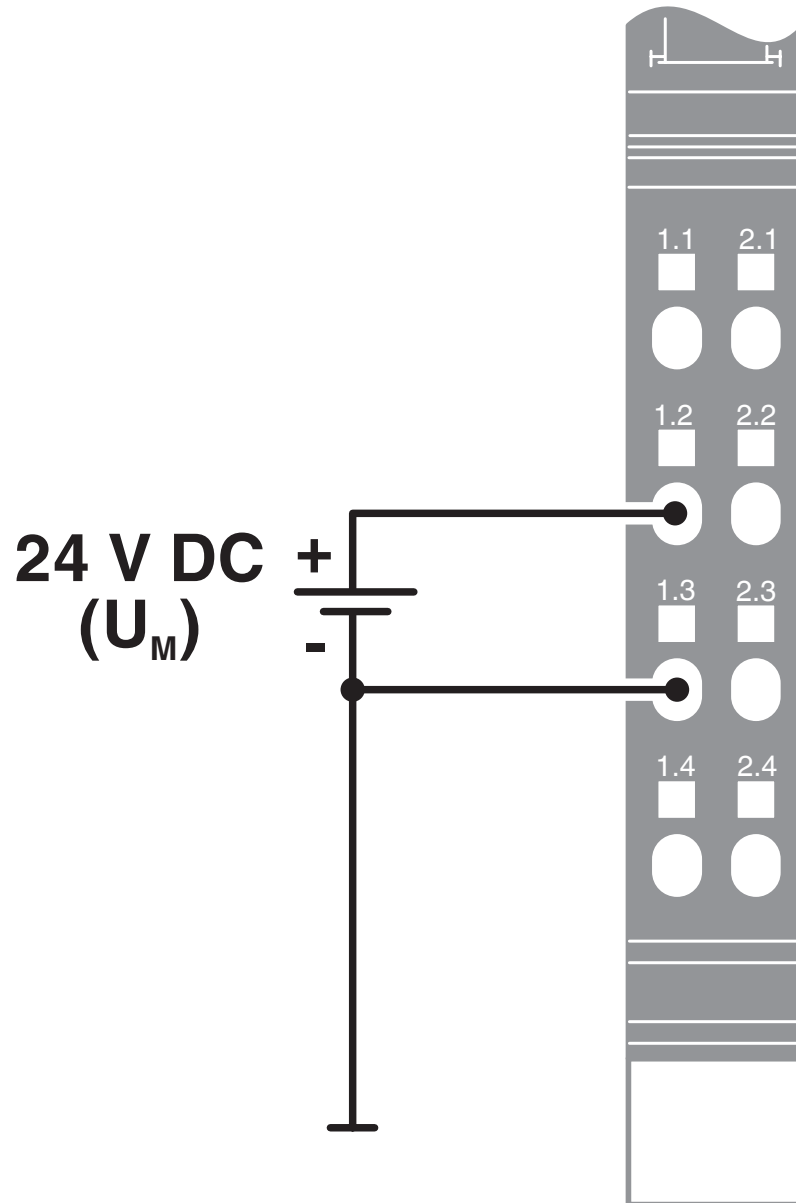
# IB IL 24 PWR IN/2-F-D-PAC - Feed-in module

2862152

<https://www.phoenixcontact.com/au/products/2862152>



Connection diagram

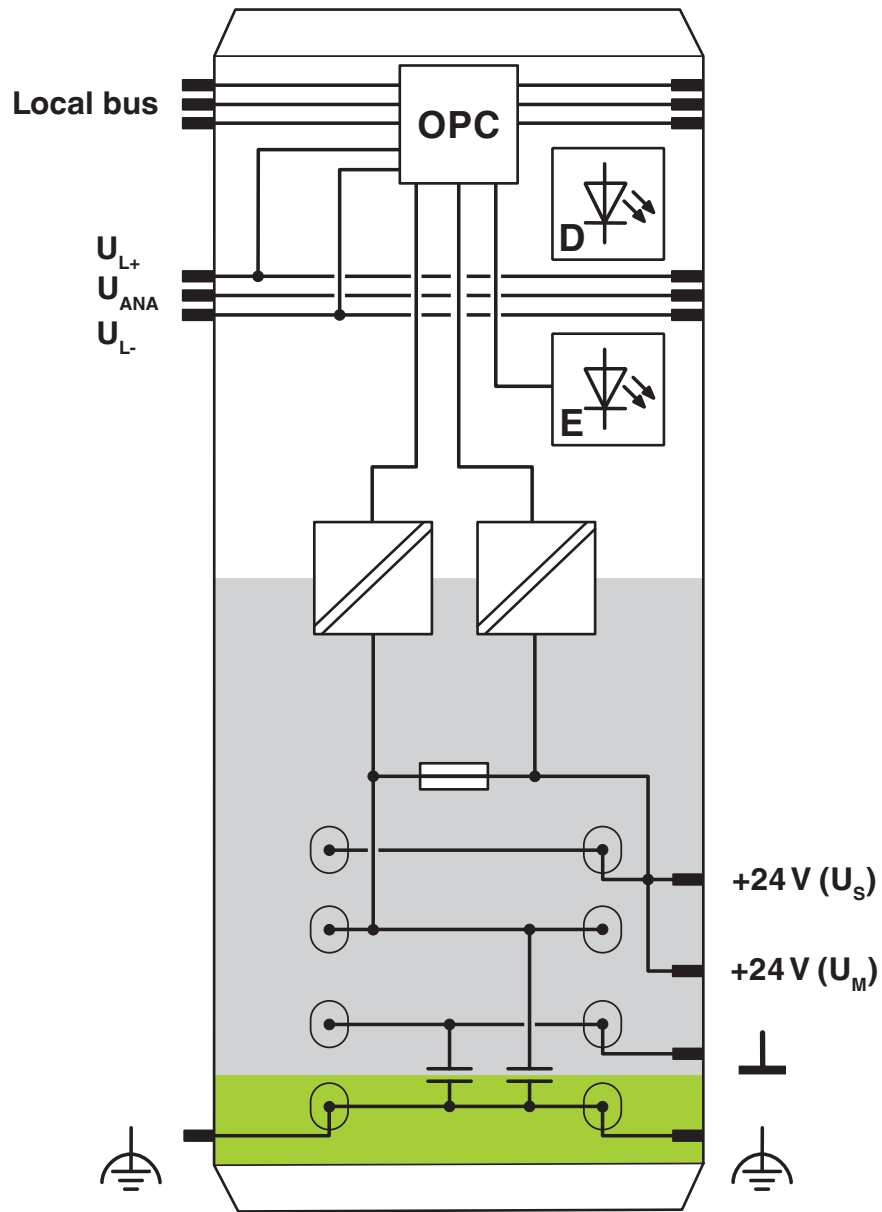


# IB IL 24 PWR IN/2-F-D-PAC - Feed-in module

2862152

<https://www.phoenixcontact.com/au/products/2862152>

Block diagram



Internal wiring of the terminal points

# IB IL 24 PWR IN/2-F-D-PAC - Feed-in module



2862152

<https://www.phoenixcontact.com/au/products/2862152>

## Approvals

To download certificates, visit the product detail page: <https://www.phoenixcontact.com/au/products/2862152>



**cULus Recognized**  
Approval ID: E140324



# IB IL 24 PWR IN/2-F-D-PAC - Feed-in module



2862152

<https://www.phoenixcontact.com/au/products/2862152>

## Classifications

### ECLASS

ECLASS-13.0	27242610
ECLASS-15.0	27242610

### ETIM

ETIM 9.0	EC001600
----------	----------

### UNSPSC

UNSPSC 21.0	32151600
-------------	----------

2862152

<https://www.phoenixcontact.com/au/products/2862152>

## Environmental product compliance

### EU RoHS

Fulfills EU RoHS substance requirements	Yes
Exemption	7(a), 7(c)-I

### China RoHS

Environment friendly use period (EFUP)	EFUP-50
	An article-related China RoHS declaration table can be found in the download area for the respective article under "Manufacturer declaration". For all articles with EFUP-E, no China RoHS declaration table issued and required.

### EU REACH SVHC

REACH candidate substance (CAS No.)	Lead(CAS: 7439-92-1)
SCIP	1fabced0-b1d9-4502-81ef-7b6b98b7e70e

Phoenix Contact 2025 © - all rights reserved

<https://www.phoenixcontact.com>

PHOENIX CONTACT PTY Ltd

Unit 7, 2-8 South Street

Rydalmere NSW 2116

1300 786 411

[customerservice@phoenixcontact.com.au](mailto:customerservice@phoenixcontact.com.au)