

# CAPAROC PM IOL - Feed-in module



1115670

<https://www.phoenixcontact.com/au/products/1115670>

Please be informed that the data shown in this PDF document is generated from our online catalog. Please find the complete data in the user documentation. Our general terms of use for downloads are valid.



Power module with IO-Link interface for supplying the CAPAROC circuit breaker system with 12 or 24 V DC for up to 20 channels. For DIN rail installation via the CAPAROC current rails.

## Your advantages

- The benchmark that you can customize by selecting single signals and resets all the way to IO-Link and PROFINET communication
- Particularly easy operation for everyone with tool-free assembly, direct feed-in to the busbar, and clear operating states
- Exceptionally easy design-in with the comprehensive digital data packet

## Commercial data

Item number	1115670
Packing unit	1 pc
Minimum order quantity	1 pc
Sales key	CLA231
Product key	CLA231
GTIN	4063151040901
Weight per piece (including packing)	129.3 g
Weight per piece (excluding packing)	92 g
Customs tariff number	85363030
Country of origin	DE

1115670

<https://www.phoenixcontact.com/au/products/1115670>

## Technical data

### Product properties

Product type	Device circuit breakers
Product family	CAPAROC
Type	Plug-in module
Number of slots	2

### Insulation characteristics

Protection class	III
Pollution degree	2

### Electrical properties

#### General

Operating voltage	10 V DC ... 30 V DC
Rated voltage	12 V DC 24 V DC
Rated current $I_N$	45 A DC (Total current input)
Tripping method	E (electronic)
Feedback resistance	max. 35 V DC
Dielectric strength	35 V DC (Load circuit)
Efficiency	> 99 %
Closed circuit current $I_0$	typ. 12 mA (no load at 24 V)
Power dissipation	typ. 0.27 W (no load at 24 V) < 1.5 W (in nominal operation at 24 V and 45 A)
Temperature derating	45 A (Total current at 40°C) 30 A (Total current at 65 °C)
MTBF (IEC 61709, SN 29500)	13826266.85 h (at 25 °C with 21 % load) 5534344.72 h (at 40°C with 34.25% load) 687502.35 h (at 65°C with 100% load)
Voltage drop	5 mV (at 10 A)

#### Load circuit

Undervoltage switch-off	≤ 9.2 V DC (active) ≥ 10.2 V DC (inactive)
Overvoltage switch-off	≥ 30.5 V DC (active) ≤ 29.5 V DC (inactive)

#### Reset

Current consumption	typ. 0.5 mA (at 24 V DC)
Pulse length	≥ 50 ms

### Connection data

Main circuit IN+

# CAPAROC PM IOL - Feed-in module



1115670

<https://www.phoenixcontact.com/au/products/1115670>

Connection method	Push-in connection
Stripping length	18 mm
Conductor cross section rigid	0.5 mm <sup>2</sup> ... 16 mm <sup>2</sup>
Conductor cross section AWG	20 ... 8
Conductor cross section, flexible, with ferrule, with plastic sleeve	0.5 mm <sup>2</sup> ... 16 mm <sup>2</sup>
Conductor cross section flexible, with ferrule without plastic sleeve	0.5 mm <sup>2</sup> ... 16 mm <sup>2</sup>

## Main circuit IN-

Connection method	Push-in connection
Stripping length	18 mm
Conductor cross section rigid	0.5 mm <sup>2</sup> ... 16 mm <sup>2</sup>
Conductor cross section AWG	20 ... 8
Conductor cross section, flexible, with ferrule, with plastic sleeve	0.5 mm <sup>2</sup> ... 16 mm <sup>2</sup>
Conductor cross section flexible, with ferrule without plastic sleeve	0.5 mm <sup>2</sup> ... 16 mm <sup>2</sup>

## IO-Link

Connection method	Push-in connection
Stripping length	8 mm
Conductor cross section rigid	0.2 mm <sup>2</sup> ... 1.5 mm <sup>2</sup>
Conductor cross section AWG	24 ... 16
Conductor cross section, flexible, with ferrule, with plastic sleeve	0.2 mm <sup>2</sup> ... 0.75 mm <sup>2</sup>
Conductor cross section flexible, with ferrule without plastic sleeve	0.2 mm <sup>2</sup> ... 1.5 mm <sup>2</sup>

## Interfaces

### IO-Link

Interface type	IO-Link
Specification	V1.1
Reverse polarity protection	yes
Transmission speed	230.4 kbps (COM3)
Cycle Time	min. 20 ms
Amount of process data	8 Byte (Input data) 3 Byte (Output data)
Nominal voltage for I/O supply	24 V DC
Current consumption	typ. 30 mA (IO-Link L+)
IO-Link Vendor ID	176 <sub>dec</sub> , 00 B0 <sub>hex</sub>
Maximum system extension	≤ 20 (Channels)

## Signaling

IO-Link LED off	off (No communication)
IO-Link LED green	flashing (IO-Link connection exists)
Power (PWR) LED green	lit (Supply voltage OK)
Power (PWR) LED red	lit (Supply voltage outside the nominal range)

# CAPAROC PM IOL - Feed-in module



1115670

<https://www.phoenixcontact.com/au/products/1115670>

flashing (System topology changed)

## Dimensions

Dimensional drawing	
Width	12.4 mm
Height	132.4 mm
Depth	111.3 mm (incl. DIN rail 7.5 mm)

## Material specifications

Color	light gray (RAL 7035)
Material	PA 6
	PA 6
	PA 6
	PC
Flammability rating according to UL 94	V-0

## Environmental and real-life conditions

### Ambient conditions

Degree of protection	IP20
Ambient temperature (operation)	-30 °C ... 65 °C
Ambient temperature (storage/transport)	-40 °C ... 70 °C
Altitude	≤ 4000 m (amsl)
Humidity test	96 h, 95 % RH, 40 °C
Shock (operation)	30g (11 ms period, half-sine shock pulse, according to IEC 60068-2-27)
	25g (6 ms duration, half-sine shock pulse in accordance with IEC 60068-2-27, continuous shock)
Vibration (operation)	5g (10 Hz ... 150 Hz / 10 cycles / axis / X, Y, Z)

## Approvals

### UL approval

Identification	UL/C-UL Listed UL 508
----------------	-----------------------

### Corrosive gas test

Identification	ISA S71.04.2013 G3 Harsh Group A
----------------	----------------------------------

## Standards and regulations

Standards/specifications	EN 61000-6-2
Note	EMC – Immunity for industrial areas

# CAPAROC PM IOL - Feed-in module



1115670

<https://www.phoenixcontact.com/au/products/1115670>

Standards/specifications	EN 61000-6-3
Note	EMC – Emission for residential, business and commercial properties and small operations
Standards/specifications	EN 60068-2-78
Note	Environmental influences – Moisture and heat, constant
Standards/specifications	EN 50178
Note	Equipping power installations with electronic equipment

## Mounting

Mounting type	pluggable onto CAPAROC CR... current rail
---------------	---

# CAPAROC PM IOL - Feed-in module

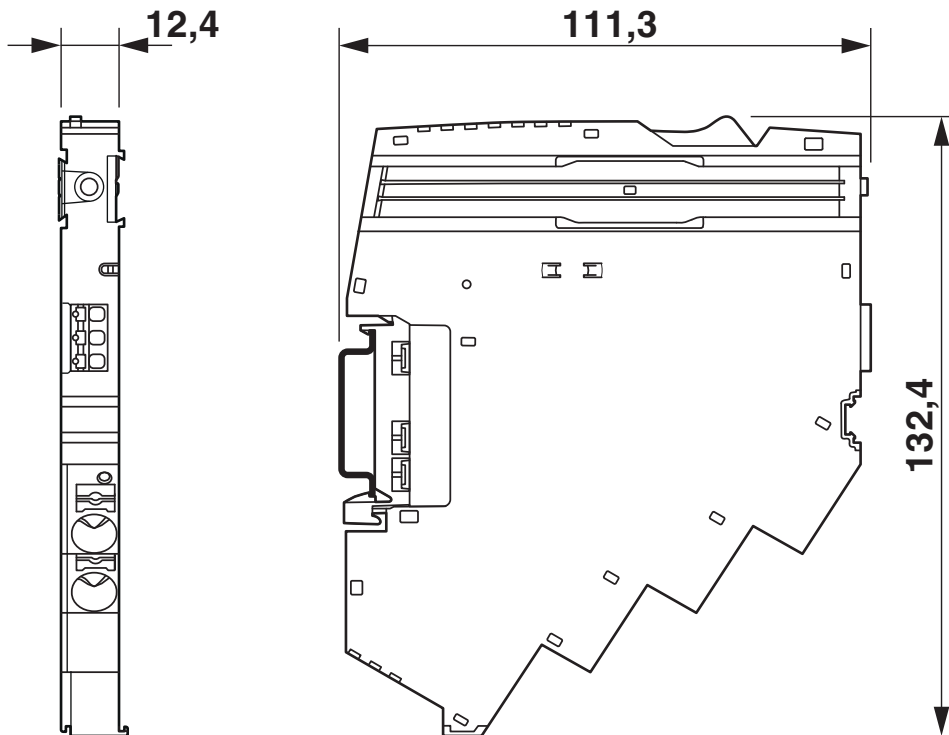


1115670

<https://www.phoenixcontact.com/au/products/1115670>

## Drawings

Dimensional drawing



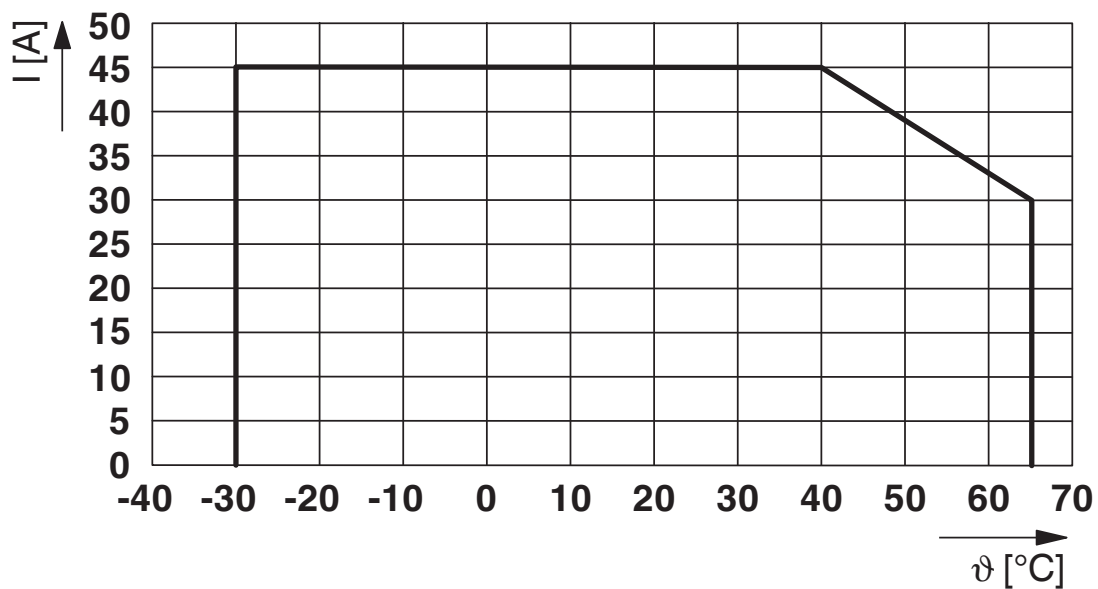
Product drawing



1115670

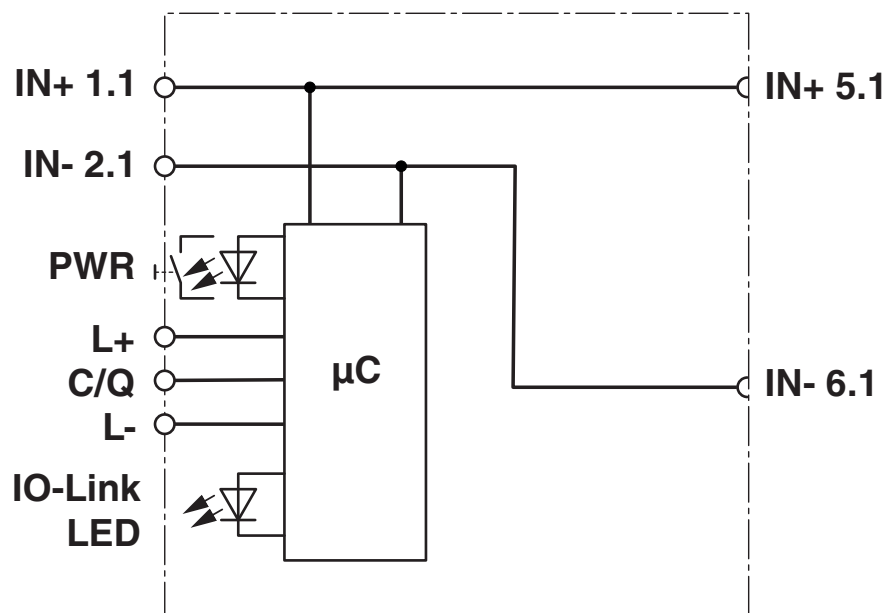
<https://www.phoenixcontact.com/au/products/1115670>

Diagram



Max. permissible current in relation to the ambient temperature

Block diagram



# CAPAROC PM IOL - Feed-in module



1115670

<https://www.phoenixcontact.com/au/products/1115670>

## Approvals

To download certificates, visit the product detail page: <https://www.phoenixcontact.com/au/products/1115670>



**UL Listed**

Approval ID: E123528



**cUL Listed**

Approval ID: E123528



**cUL Listed**

Approval ID: E123528



**UL Listed**

Approval ID: E123528



# CAPAROC PM IOL - Feed-in module



1115670

<https://www.phoenixcontact.com/au/products/1115670>

## Classifications

### ECLASS

ECLASS-13.0	27140401
ECLASS-15.0	27140401

### ETIM

ETIM 9.0	EC003538
----------	----------

### UNSPSC

UNSPSC 21.0	39121400
-------------	----------

# CAPAROC PM IOL - Feed-in module



1115670

<https://www.phoenixcontact.com/au/products/1115670>

## Environmental product compliance

### EU RoHS

Fulfills EU RoHS substance requirements	Yes
Exemption	7(a), 7(c)-I

### China RoHS

Environment friendly use period (EFUP)	EFUP-50
	An article-related China RoHS declaration table can be found in the download area for the respective article under "Manufacturer declaration". For all articles with EFUP-E, no China RoHS declaration table issued and required.

### EU REACH SVHC

REACH candidate substance (CAS No.)	Lead(CAS: 7439-92-1)
	2,2',6,6'-tetrabromo-4,4'-isopropylidenediphenol(CAS: 79-94-7)
SCIP	5447ed30-a625-4150-837d-b57361cfdd27

Phoenix Contact 2025 © - all rights reserved  
<https://www.phoenixcontact.com>

PHOENIX CONTACT PTY Ltd  
Unit 7, 2-8 South Street  
Rydalmere NSW 2116  
1300 786 411  
[customerservice@phoenixcontact.com.au](mailto:customerservice@phoenixcontact.com.au)