

CONTACTCLIP


GSM-PRO2(E)-4G (EU/US)

Instruction Manual





Contents

| | | |
|-------|--|----|
| 1 | DESCRIPTION | 4 |
| 1.1 | Summary | 4 |
| 1.2 | Module types..... | 4 |
| 1.3 |  Safety instructions..... | 4 |
| 2 | SOFTWARE | 6 |
| 2.1 | System requirements | 6 |
| 2.2 | Software installation | 6 |
| 3 | MODULE | 7 |
| 3.1 | Place the SIM card | 7 |
| 3.2 | Connect the antenna | 8 |
| 3.3 | Connect to power | 8 |
| 3.4 | Connect to PC | 8 |
| 3.5 | LED description..... | 9 |
| 3.5.1 | Module status indication | 9 |
| 4 | CONFIGURATION | 10 |
| 4.1 | Connect to the module..... | 10 |
| 4.2 | Configuration..... | 10 |
| 4.2.1 | Upload to the module | 10 |
| 4.2.2 | Download from module | 10 |
| 4.2.3 | Import / Export settings | 10 |
| 4.2.4 | OTA configuration (OTA settings) | 11 |
| 4.2.5 | Reset module to default (Factory reset) | 11 |
| 4.3 | Diagnostics | 12 |
| 4.3.1 | Signal quality | 12 |
| 4.4 | Contacts..... | 13 |
| 4.4.1 | Add/delete contacts..... | 13 |
| 4.4.2 | Import / Export contacts..... | 13 |
| 4.4.3 | Phone call..... | 13 |
| 5 | SETTINGS..... | 14 |
| 5.1 | Main settings | 14 |
| 5.2 | Mobile Data..... | 14 |
| 5.3 | Roaming..... | 14 |
| 5.4 | App 14 | |
| 5.5 | APN settings | 14 |



| | | |
|---------|---|----|
| 5.6 | SMTP | 14 |
| 6 | GENERAL MESSAGES..... | 16 |
| 6.1 | Periodical message | 16 |
| 6.2 | Power cycle message..... | 16 |
| 6.3 | Power down message..... | 16 |
| 6.4 | GSM connection loss message | 16 |
| 6.5 | Recipients | 16 |
| 6.6 | Additional messages..... | 16 |
| 7 | LOG | 17 |
| 7.1 | Event log..... | 17 |
| 7.2 | AI log..... | 17 |
| 7.3 | Pulse counter log | 18 |
| 8 | SOFTWARE UPDATES..... | 19 |
| 8.1 | Update | 19 |
| 8.1.1 | Manual firmware updates..... | 19 |
| 8.1.2 | OTA firmware update..... | 19 |
| 9 | I/O CONFIGURATION AND MESSAGING | 20 |
| 9.1 | Digital Output | 20 |
| 9.1.1 | Configuration | 20 |
| 9.1.2 | Select users | 20 |
| 9.1.3 | Messaging | 20 |
| 9.1.3.1 | Number ID | 20 |
| 9.1.3.2 | User defined instructions | 20 |
| 9.1.3.3 | Change the digital output status | 20 |
| 9.1.4 | Using the one-shot function..... | 21 |
| 9.1.5 | React on RING | 21 |
| 9.1.6 | Link DO to UI | 21 |
| 9.1.7 | Activate when GSM connection is lost..... | 21 |
| 9.1.8 | Preserve status on startup | 21 |
| 9.1.9 | Wiring example | 21 |
| 9.2 | Universal Inputs..... | 22 |
| 9.2.1 | Select recipients | 22 |
| 9.2.2 | Confirmation sequence | 22 |
| 9.3 | Analog inputs..... | 22 |
| 9.3.1 | Configuration | 22 |
| 9.3.2 | Wiring example | 23 |
| 9.4 | Digital Inputs..... | 24 |
| 9.4.1 | Configuration | 24 |
| 9.4.2 | Wiring example | 24 |



| | | |
|--------|---------------------------------|----|
| 9.5 | Pulse counter..... | 25 |
| 9.5.1 | Wiring example..... | 25 |
| 9.6 | Read all IO statuses..... | 26 |
| 9.7 | Link multiple modules..... | 26 |
| 9.8 | IO operating hours counter..... | 26 |
| 9.8.1 | Digital output counter..... | 26 |
| 9.8.2 | Digital input counter..... | 26 |
| 10 | EXTENSIONS..... | 27 |
| 10.1 | Configuration..... | 27 |
| 10.1.1 | Hardware..... | 27 |
| 10.1.2 | Software..... | 28 |
| 10.2 | GSM-PRO-4DO..... | 28 |
| 10.3 | GSM-PRO-10DI..... | 29 |
| 10.4 | GSM-PRO-8AI..... | 30 |
| 10.4.1 | Configuration..... | 30 |
| 10.4.2 | Wiring example..... | 31 |
| 10.4.3 | Current input..... | 31 |
| 10.5 | GSM-PRO-4AO..... | 32 |
| 11 | MODBUS SLAVE..... | 33 |
| 11.1 | Hardware..... | 33 |
| 11.1.1 | COM settings..... | 33 |
| 11.2 | Software..... | 33 |
| 11.2.1 | Slave address..... | 33 |
| 11.2.2 | Message registers..... | 34 |
| 11.2.3 | Digital registers..... | 34 |
| 11.2.4 | Analog registers..... | 34 |
| 11.2.5 | Default messaging..... | 34 |
| 11.2.6 | Restart module..... | 34 |
| 12 | OTHER MESSAGES..... | 35 |
| 12.1 | Module reset..... | 35 |
| 12.2 | First start reset..... | 35 |
| 12.3 | Stop messaging..... | 35 |
| 12.4 | Show all SMS commands..... | 35 |
| 12.5 | Set Time..... | 35 |
| 13 | OTHER FEATURES..... | 36 |
| 13.1 | Languages..... | 36 |
| 13.2 | Update mail..... | 36 |



| | | |
|------|--|----|
| 14 | ADDITIONAL SOFTWARE..... | 37 |
| 14.1 | GSM-PRO2 App..... | 37 |
| 15 | TROUBLESHOOTING | 38 |
| 15.1 | Cannot connect to the PC, no module found..... | 38 |
| 15.2 | No connection to GSM network..... | 38 |
| 15.3 | The module doesn't send any messages..... | 38 |
| 15.4 | The module doesn't start | 38 |
| 15.5 | Diagnosis | 38 |
| 16 | APPENDIX: SMS COMMANDS..... | 39 |
| 17 | APPENDIX: DIAGNOSTIC COMMANDS..... | 41 |
| 18 | APPENDIX: MODBUS REGISTERS | 42 |



1 Description

1.1 Summary

The GSM-PRO2(E) is a compact remote control and messaging system. All IOs are monitored by SMS and email and controlled by SMS communication through the GSM network.

The module can be configured with the GSM-PRO2 PC-software. Each IO can be modified by user-defined parameter names and messages. A selected group of users can be chosen from the phonebook to control the module, or only receive messages.

On each defined input status change (rising or falling flank for digital inputs or reached level for analog inputs) the module sends a pre- or user-defined message to the selected group of users. The outputs can be set when a selected user sends a pre- or user-defined SMS to the GSM-PRO2(E).

The GSM-PRO2(E) sends a periodical message on user defined times. On power loss the module holds enough power to send SMS messages to a selected group of users. It also sends messages when coming back from a power reset.

1.2 Module types

The GSM-PRO2 consists of the modules as described below. For images and connection examples in this document the outline of the GSM-PRO2 is used.

When referring to a GSM-PRO2(E) in this document it is recalled as 'the (a) module'.

The GSM-PRO2(E) comes in a 4G version for the European or American market.

Features:

GSM-PRO2

- 1 Digital Output (DO), relay CO contact 250V/5A
- 1 counter input
- 2 Universal Inputs (UI) which can be set by software as:
 - Analog Input (AI), 0..10V or 0..20mA
 - Digital Input (DI)

GSM-PRO2E

- 4 Digital Outputs (DO), relay CO contacts 250V/5A
- 1 counter input
- 10 Universal Inputs (UI) which can be set by software as:
 - Analog Input (AI), 0..10V or 0..20mA
 - Digital Input (DI)

1.3 Safety instructions

- This device is NOT suitable for monitoring sensible or time critical processes. Power interruption or GSM network failures do not guarantee flawless monitoring.
- Keep ESD precautions in mind when opening the module.
- This module can require a GSM data connection (GPRS, 3G or 4G). For information about costs ask your GSM service provider.





2 Software

Download the latest GSM-PRO2 interface software at:

<https://conta-clip.com/en/contact-service/download-center>

2.1 System requirements

The following requirements are needed to run and use the software properly:

- Windows 7, 8, 10
- USB port
- Internet connection

2.2 Software installation

As the program needs to install hardware drivers make sure you have administrator rights.

Unzip the downloaded file before installing. Install the program as administrator (right mouse click and select run as administrator).

Run the GSM-PRO2_setup.exe to install the application. The setup wizard will guide you through the rest of the setup process.

After starting the GSM-PRO2 user interface set the language by: Settings (Gearbox Icon) -> Language. The chosen language is saved and recalled at start up.



3 Module

NOTE: Keep ESD precautions in mind when opening the module.

3.1 Place the SIM card

NOTE: Place or replace the SIM card only with the power supply turned off.

Place a Nano SIM card into the SIM card holder to access the GSM network:

- Lift the lid with a small flat screwdriver.



- Place a SIM card into the SIM card holder (image may vary).



- Replace the lid.

When a wrong PIN number is given 3 times the SIM card is locked and requests the PUK code. The diagnostics shows this in the error message. Access the 'advanced settings' by clicking the 'gearbox' icon. Insert the correct PUK and PIN code and click 'insert PUK code'



3.2 Connect the antenna

Connect the GSM antenna on the GSM connector on the module.



3.3 Connect to power

Connect the 24V and 0V to the power supply. Power supply can be in the range between 10 and 30VDC



3.4 Connect to PC

With the lid removed, connect a USB cable to the micro USB socket on the module, and the other end to a USB port on a PC.

NOTE: Make sure to install the interface software and drivers before connecting the module to a PC.



3.5 LED description

3.5.1 Module status indication

After connecting the power it takes about 10 seconds before the first Led activates.

The Led 'Run' indicates module activity:

- Flash = starting-up (takes about 90 seconds)
- ON = ready for use (blinks every 10 seconds)
- OFF = no power

The Led 'Com' indicates network activity:

- green ON = connected to GSM network
- green Flash = roaming GSM network
- green OFF = not connected to GSM network
- green / red = connected to GSM network but time not set
- red ON = error (see chapter 4.3)

The Led 'Busy' indicates module activity:

- ON = module currently busy

After data transfers between the PC and the module, the module performs a reset.



4 Configuration

4.1 Connect to the module

Connect the power to the module and connect a USB cable between the module and a PC USB port. Wait for the module to start up and run the module interface software.

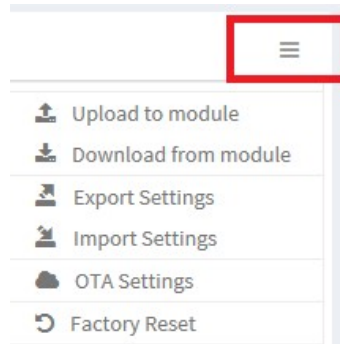
On start up the configuration software searches all available COM ports for an available module. If the module is found the 'module type' at the upper left side will appear.

Before connecting another module close the interface, connect module and start interface again.

NOTE: During software start up the module might be restarted.

4.2 Configuration

Press the 'menu' button to edit the module:



4.2.1 Upload to the module

Upload current configuration software settings to the module.

NOTE: uploading settings to the module overwrites all settings within the module. Therefore it is highly recommended to download the settings from the module first, before uploading any new changes.

4.2.2 Download from module

Download all settings from the module into the interface.

4.2.3 Import / Export settings

Export the settings to preserve them for later usage after closing the user interface. To export all settings click the 'menu' button and 'export settings'. Windows prompts 'save as'. Save the file with a given name on a preferred destination to the PC.

To import the settings click the 'menu' button and 'import settings'. Windows prompts to point the location of an exported *.ccf file.



4.2.4 OTA configuration (OTA settings)

The configuration with the user interface can be performed remotely. SMS: **rotac** to start this procedure. When the command is received the module uploads the current configuration to the Conta-Clip server and answers: 'module IMEI nr: <IMEI nr> <module name> configuration file uploaded.'

Fill the unique module International Mobile Equipment Identity (IMEI) into the user interface and press 'download configuration'. The user interface will be automatically updated with the settings of the (remote) module.

After making the required changes to the configuration, press 'upload configuration' to upload the new configuration onto the Conta-Clip server. Configuration files are kept on the server for 5 days.

SMS: **cotac** to inform the module that the new configuration is online. It will download the configuration and resets, this will take a few minutes. Finally the module answers: '<module name> configuration file updated'.

The configuration file can also be requested by sending: **ccf** directly followed by a valid email address (e.g. **ccfname@conta-clip.de**). When ready, the module answers with a confirmation message and the configuration file is received by the email address. Download and import the file into the interface.

NOTE: OTA functionality only works when mobile data is enabled and APN settings are entered (see chapter 5.2 and 5.5).

4.2.5 Reset module to default (Factory reset)

Restore all settings in the module back to factory default.



4.3 Diagnostics

After connecting to the module the diagnostics information is filled (grey area on the left side). This shows:

- Module name
- Registered GSM network or connection errors
- Signal strength and RAT (Radio Access Technology) GPRS, 3G or 4G
- Module firmware version
- IMEI number
- Error messages:
 - SIM PIN code required
 - SIM PUK code required
 - No SIM card
 - No user selected
 - No network registration
- Overview of connected extension modules

To request the diagnostics by SMS send: **status**.

The error message is a 9-digit code. Please find the explanation per code below:

Position

- | | |
|---|--|
| 1 | : 0= ok, 1= PIN required, 2= PUK required, 3= no SIM card |
| 2 | : 0= ok, 1= date time not set |
| 3 | : 0= ok, 1= no main user selected |
| 4 | : 0= ok |
| 5 | : 0= ok, 1= roaming while not allowed, 2= not registered, 3= registration denied |
| 6 | : 0= ok |
| 7 | : 0= ok |
| 8 | : 0= ok |
| 9 | : 0= ok |

NOTE: This information is a snapshot of the diagnostics and not displayed real-time. Refresh the diagnostics tab by clicking the *'module info'* text.

4.3.1 Signal quality

The signal quality information is defined by the Dutch Telecom Agency according to GSM network regulations. The full list is shown in the appendix.

To request the signal strength and quality send an SMS: **csq**.



4.4 Contacts

The interface software has a contacts list to store all your contacts for further usage. All actions in the contacts list will auto save on completion.

4.4.1 Add/delete contacts

To add a contact to the contacts click on the add button and fill in the name and phone number or email address.

To delete a contact click the 'delete' button behind the contact.

NOTE: Phone book contacts are stored on the PC not on the module

4.4.2 Import / Export contacts

The contacts can be exported for usage on another PC that has the interface software installed. To export the contacts click the 'contacts menu' button and 'export contacts'. Windows prompts 'save as'. Save the file with a given name on a preferred destination to the PC.

To import the contacts click the 'contacts' button and 'import contacts'. Windows prompts to point the location of an exported *.cpf file.

4.4.3 Phone call

The module can generate a phone call on events and let it ring for a few seconds instead of sending a text message. To accomplish this put a 'C' in front of the phone number, e.g.: C123456789.

NOTE: This function is case sensitive



5 Settings

5.1 Main settings

The main functions of the module are configured in the 'settings' tab:

- Module name (mandatory)
- Module Phone Number (mandatory)
- SIM pin number, this is the pin number to access the SIM card.
- Admin user. The admin user has full access to the module and receives no general messages (mandatory)

5.2 Mobile Data

Mark this checkbox if a data connection is required.

NOTE: Activating mobile internet can cause unexpected costs. Contact your provider for an appropriate subscription or prepaid card.

If the internet connection is required but not allowed after configuration send an SMS: **APN,<APN name>,<APN username>,<APN password>**

The module establishes an internet connection upon next restart. The module can now be upgraded or configured over the air.

If the internet connection has to maintain after restart, this can be configured remotely.

5.3 Roaming

If roaming is disabled the module blocks SMS and data connections when registered to a foreign GSM network.

NOTE: contact your GSM service provider for roaming rates to avoid unexpected high costs.

5.4 App

Mark this checkbox to synchronize your module's events and IO status so it can be read and controlled by an Apple iOS or Android App.

NOTE: App functionality only works when mobile data is enabled, and APN settings are entered.

5.5 APN settings

To register to a GPRS connection, enter the APN (Access Point Name) settings of your GSM service provider. If these settings are unknown to you, request them at your provider.

Remotely check the GSM data connection by sending: **cdc**. The module answers with the status of the connection.

5.6 SMTP

Enter the SMTP (Simple Mail Transfer Protocol) settings for outgoing email. The SMTP is used to send email via outgoing mail server.

Contact your Internet Service Provider or Webhost for further information about your SMTP settings.

Default subject of an e-mail is "e-mail from" followed by the module name. This can be changed with the option Email Subject



NOTE: Some free mail providers like Gmail or Outlook require 2 way authentication and they do not accept unknown m2m devices to access their SMTP server.



6 General messages

Functions are activated when writing text in the white boxes

6.1 Periodical message

The module can send a periodical message on a user defined time:

- Daily, set the time
- Weekly, set the day and time
- Monthly, set the day of the month and time
- Add the IO status to the message (with this option the hours counter values are included)
- Mail Event log
- Mail AI log

Note: In order to use the mail AI or Event log option an email address needs to be selected under recipients

6.2 Power cycle message

The module can send a message on every module start up, so the users are aware of a power recovery.

6.3 Power down message

On power loss the module holds enough capacity to send SMS messages to the first 5 selected GSM users. The module detects a power down when the power < 8V and returns when the power >10V.

NOTE: The module tries to send the message to all defined Recipients in the 'General Message' tab with the guarantee of the first 5 selected users.

6.4 GSM connection loss message

The module sends a message when the GSM connection recovers after the GSM connection was lost..

This function can also be enabled by sending sms : **dlmon**

This function can also be disabled by sending sms: **dlmoff**

6.5 Recipients

The active users are those who receive the auto messages.

6.6 Additional messages

The following automatic generated messages are send to the users in the general messages tab:

- Log full 90%
- Log full 100%
- DO counter full
- DI counter full
- Extension stopped responding
- Extension not responding on startup
- Wrong extension configured



7 Log

The module can keep log files with a maximum size of 100kB per log file (Event, AI, Pulse counter). Select an email address in the Log tab to auto send a full log. After the log file was send per email the log file will be erased and the module will continue logging.

When no email is selected and a log is 90% full the module sends a warning message to the recipients in the general message tab. When the log is 100% full the module sends another warning message and then it stops logging until downloaded and erased.

Each log can be viewed and erased while connected to the PC by clicking the button or remote by sending a command.

7.1 Event log

When this log is enabled the module logs the following events:

- Reached threshold limits on the AI inputs
- Rising and falling flank on the digital inputs (DI)
- Received messages
- Sent messages
- Data transmissions
- OTA updates
- Extension changes

When connected, view this log by clicking 'download event log'. View remote by sending: **evlog** directly followed by a valid email address (e.g. **evlogname@conta-clip.de**). When ready, the module answers with a confirmation message and the event log is received at the email address.

When connected erase the event log by clicking 'erase event log'. Erase remote by sending: **evclr**. The module answers with a confirmation message.

Select an email address in the Log tab to auto send a full log.

The event log can also be added to the periodical message as an e-mail

7.2 AI log

Choose the interval for the AI log:

- 10 min (5 days)
- 15 min (7.5 days)
- 20 min (10 days)
- 30 min (15 days)
- 45 min (22.5 days)
- 60 min (30 days)

The log duration in days is based on logging 1 AI.

When connected, view this log by clicking 'download AI log'. View remote by sending: **ailog** directly followed by a valid email address (e.g. **ailogname@conta-clip.de**). When ready the module answers with a confirmation message and the AI log is received by the email address.

When connected, erase the event log by clicking 'erase AI log'. Erase remote by sending: **aiclr**. The module answers with a confirmation message



Select an email address in the Log tab (under the general messages tab) to auto send a full log.

The AI log can also be added to the periodical message as an e-mail.

7.3 Pulse counter log

When activated the pulse counter log logs the value from activation start until midnight. After this it logs the value between midnight and midnight.

When connected, view this log by clicking 'download counter log'. View remote by sending: **clog** directly followed by a valid email address (e.g. **clogname@conta-clip.de**). When ready the module answers with a confirmation message and the counter log is received by the email address.

When connected, erase the pulse counter log by clicking 'erase counter log'. Erase remote by sending: **clclr**. The module answers with a confirmation message.

For more information on the pulse counter function check chapter 9.5



8 Software updates

8.1 Update

The module can perform firmware updates remote (OTA) or when connected by USB to a PC. Over The Air (OTA) covers remote actions where the data is transmitted over mobile data.

8.1.1 Manual firmware updates

Download the latest firmware at: <https://conta-clip.com/en/contact-service/download-center>

Access the 'advanced settings' by clicking the 'gearbox' icon.

After downloading, unzip the complete folder to a location on your PC. Click the firmware update button and the software prompts to the location of the firmware. Locate the unzipped folder and select the GSM-PRO2.jar file.

The firmware update takes about 2 minutes. After the update the module restarts itself.

NOTE: do NOT disconnect the module or turn off the power supply during this operation.

8.1.2 OTA firmware update

To remotely update the firmware SMS: **fotap**. The module downloads the online firmware, installs it and restarts. When a firmware update is succeeded the module sends a confirmation to the sender.

To check the modules current firmware version send: **fwv**. The module answers <module name> firmware version: <version number>.



9 I/O configuration and messaging

The module responds to read and write commands. Commands are preceded by an 'r' for read and 'w' for write actions.

All SMS commands are NOT case sensitive.

9.1 Digital Output

9.1.1 Configuration

The following items can be configured with the software:

- Name
- After setting the digital output the module sends a confirmation message according to the configured rise or fall message. This message is sent only to the sender of the message.
- Send only the user defined text, this sends only the text defined in the message box, no module name, IO name and timestamp.
- Define your own instructions to control the output.
- React on ring, activate or toggle the output when starting a phone call with the module.
- Link DO to UI
- Activate when GSM connection lost, deactivate when GSM connection returns.
- Preserve or deactivate the status on restart or power cycle.
- Operating hours counter (see chapter 9.8)
- Number ID
- Users

9.1.2 Select users

The users have access to the associated digital output.

NOTE: Selected DO users do not have any rights to send other commands to the module other than addressed to the defined output. Admin users can always activate an output even when not selected.

9.1.3 Messaging

It is possible to send self-made instructions or use the pre-defined instructions for the output. With these instructions the output can be activated, deactivated and activated for a given period of time (one-shot).

9.1.3.1 Number ID

The number ID for setting the digital output can be disabled. When disabled the output responds on both SMS and incoming calls from everyone.

NOTE: keep safety precautions in mind when disabling this function together with the ring function due to unwanted incoming calls.

9.1.3.2 User defined instructions

Use a self-made instruction to control the output. E.g. you may want to use the instruction *pump* to activate the output, and *pumpoff* to deactivate.

9.1.3.3 Change the digital output status

To set a digital output (DO) send the following default message: **wdonx**, where x is the state.

E.g. when you send **wdon1**, DO1 is set to 1.



If set, the module sends a confirmation message: 'status DO1=x'. If the output state is already in the state, the text: 'status not changed' is added to the answer.

To set all Digital outputs send the default message: wmdoxxxx

9.1.4 Using the one-shot function

The digital outputs can be set for a given time from 5 sec to 10 hours. When this command is received, the DO sets to 1 and after the number of seconds the DO falls back to 0. The one shot function is called by selecting the DO followed by a 't' for time and the time in seconds. E.g. when you send **wdo1t10** the DO is set for 10 seconds.

Confirmation message on rising and falling flank can be selected by checking the boxes.

NOTE: see user defined functions to define own instructions.

9.1.5 React on RING

This function enables toggling a DO on a RING (phone call) command. When one of the selected users in the settings tab dials the number of the module it toggles the DOs and breaks the connection. The caller receives a SMS message with the status of the DO.

When the output timer value is set the output status is set to 1 for the amount of seconds set. If the output status is already 1 this is kept for the amount of seconds and then set to 0.

Clear the output timer value in the user interface to disable the timer function.

9.1.6 Link DO to UI

The first DO can be linked to the first UI, the second DO to the second UI and so on. When a status change on a DI1 is detected the DO will adopt this status.

The status of the DO can always be overruled by an SMS message setting the output(see above). If the output has already the same state as the linked input the output will not change.

When the UI is set to analog the DO status is 0 when the AI status is normal. The DO status is set to 1 when the AI status is either low or high.

NOTE: This function can conflict with the SMS and RING instructions.

9.1.7 Activate when GSM connection is lost

Select to activate an output when the GSM connection is lost. The output deactivates as soon as the GSM connection is re-established.

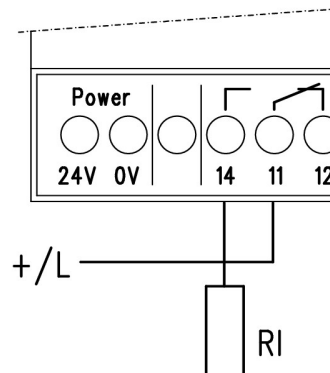
NOTE: This function can conflict with the SMS and RING instructions.

9.1.8 Preserve status on startup

Choose if the status of the output is preserved on restart or power cycle. If deselected the output will be deactivated.

9.1.9 Wiring example

In the following example the DO is connected as normally open.



9.2 Universal Inputs

The universal inputs can individual be configured as:

- Analog input AI (0..10V or 0..20mA)
- Digital input DI (default)

The selected button represents the chosen function and is set after uploading.

9.2.1 Select recipients

The recipients receive the messages of the selected UI.

NOTE: Selected UI users do not have any rights to send commands to the module.

9.2.2 Confirmation sequence

When the confirmation is enabled, the module sends the message to the selected users one by one with an adjustable interval delay.

E.g. the sequence starts, the first phone number is addressed. When the delay time has expired, the next phone number in the list is addressed, and so on until the last phone number in the list is addressed.

This can be repeated for selected number of times before the module stops the sequence.

The user who receives the message is able to stop the confirmation sequence by sending a chosen text (can be left blank) to the module before the delay has expired. The module answers: 'Confirmation ended <timestamp>'

NOTE: When a new status is reached on the UI, a new sequence is started and the old sequence is stopped automatically.

When there are one or more email addresses in the user list, the email is sent only once to all email addresses at the beginning of the sequence.

9.3 Analog inputs

Each analog input (AI) represents a scaled value from 0 to 100% (10V or 20mA). Within this scale threshold values can be monitored.

9.3.1 Configuration

Configure the following items:

- Name
- Input type: voltage or current
- The unit for the input feedback. E.g. litres (Ltr) or kilograms (kg).



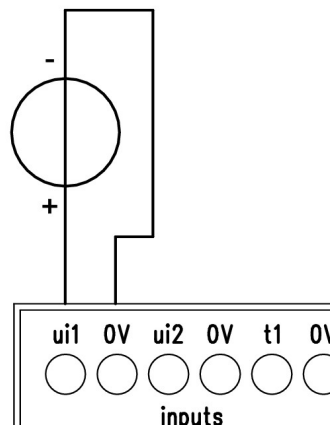
- Log this AI at a pre-set interval, see for interval settings.
- The min. value represents the scaled value for 0V
- The max. value represents the scaled value for 10V or 20mA
- Lower limit threshold
- Upper limit threshold
- Minimal change (hysteresis)
- Message delay
- Send only the user defined text, this sends only the text defined in the message box, no module name, IO name and timestamp.
- The Analog Inputs can generate messages including value and unit when:
 - The upper limit + hysteresis is reached
 - The lower limit – hysteresis is reached
 - The status recovers between the upper and lower limit +/- hysteresis
- Recipients
- Confirmation sequence

NOTE: The min./max. and threshold/hysteresis values are limited to 5 digits with a maximum of 2 decimals.

A delay in seconds can be set which a changed AI has to exceed before it is accepted, during the delay the UI led blinks. If the status of the delay is changed back again to the previous state before the delay is expired the change is discarded. Clear the delay to disable detection delay.

9.3.2 Wiring example

In the following example Ai1 is connected to an analog source.





9.4 Digital Inputs

The Digital Inputs can generate messages when:

- A rising flank is detected: the status changes from 0 to 1
- A falling flank is detected: the status changes from 1 to 0

9.4.1 Configuration

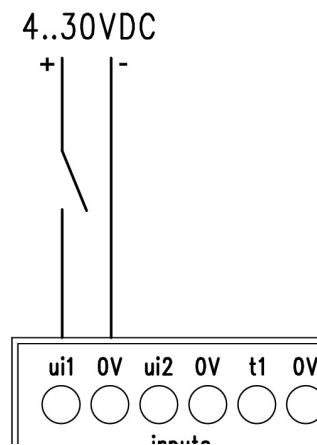
Configure the following items:

- Name
- Rising / Falling flank message
- Send only the user defined text, this sends only the text defined in the message box, no module name, IO name and timestamp.
- Rising / Falling flank message delay: the changed status must be held for the given time before being accepted
- Operating hours counter (see chapter 9.8)
- Recipients
- Confirmation sequence

A delay in seconds can be set which a changed DI has to exceed before it is accepted, during the delay the UI led blinks. If the status of the delay is changed back again to the previous state before the delay is expired the change is discarded. Clear the delay to disable detection delay.

9.4.2 Wiring example

In the following example DI1 is connected to be pulled-up with +V.





9.5 Pulse counter

The module has an input which can count up to 1000 pulses per second. The module can send messages on a given threshold. It can also log the counter values for each day.

Configure the following items:

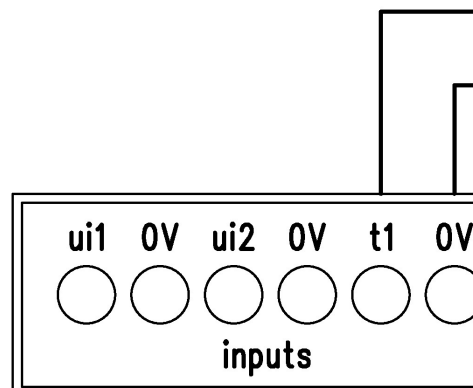
- Activate Counter
- Name
- The unit for the feedback. E.g. Kwh
- Puls per Unit; E.g. when 100 pulses represent 1Kwh and a feedback or measurement is only wanted for Kwh and not the actual pulses.
- Threshold value; the module sends the configured message every time the threshold is reached
- Counter message; the message for the threshold
- Clear after send; the counter is cleared after sending the threshold value
- Send only the user defined text, this sends only the text defined in the message box, no module name, IO name and timestamp.
- Daily log; Logs the value between midnight and midnight
- Clear after Log; Clear the counter after logging the value

To request the actual Counter value send an SMS with the text '**CNT**'. The module answers with the counter value and unit, the value of the current day and the counter start timestamp.

To reset the counter send an SMS with the text '**CLRCNT**'.

9.5.1 Wiring example

In the following example the counter is connected to an S0 (DIN43864) port.





9.6 Read all IO statuses

To retrieve the status of all IOs send: **rall**. The module answers: With the module name and the status of all IO's and extensions.

To send the full IO status to an email address send: **rall<email>**.

9.7 Link multiple modules

It's possible to link multiple modules by SMS. By selecting the 'send only user defined text' in the IO configuration it's possible to send the pre-defined messages to other modules.

For example: digital input 2 sends WDO11 on a rising flank to a second unit. This unit receives the message, set's the digital output. On the falling flank the first unit sends WDO10 to deactivate the digital output on the second unit.

It is also possible to send an SMS to itself and activate digital outputs on reaction to digital inputs.

NOTE: The digital outputs cannot parse any messages. They only respond to their sender.

9.8 IO operating hours counter

The IO operating hours counter sums the total time the IO is in HI state. The counter can be turned on/off per individual digital in- and output. An offset value in hours can be set per in- and output.

The counted value can be added to the periodical message by checking the box "Add IO status", . The counted value will be added automatically to the "RALL" message.

Counters are limited to 200.000 hours .

NOTE: make sure to keep all IO's in LO state when configuring the counters due to faults in starting time.

9.8.1 Digital output counter

To retrieve the counter value of an individual digital output, send: **timedo1**, where n is the number of the requested digital output.

To retrieve the counter value of all digital outputs send: **timedo0**.

To reset the counter value of an individual digital output, send: **clrtimedon**, where n is the number of the requested digital output. To reset all counter values of the digital outputs, send: **clrtimedo0**

9.8.2 Digital input counter

To retrieve the counter value of an individual digital input, send: **timedin**, where n is the number of the requested digital input.

To retrieve the counter value of all digital inputs send: **timedi0**.

To reset the counter value of an individual digital input, send: **clrtimedin**, where n is the number of the requested digital input. To reset all counter values of the digital inputs, send: **clrtimedi0**



10 Extensions

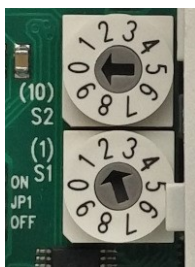
The number of IO on the module can be extended with external modules. These are connected with a bus driven interface by simple pushing the modules into another with the connector on the left side of the module.



10.1 Configuration

10.1.1 Hardware

To adjust the bus address on each extension lift the lid with a small flat screwdriver and turn the rotary switch into the wanted position: address 00 to 99. Set the address before connecting power to the unit. A new or changed address is only recognized by the system while starting up.



NOTE: Each extension has to be configured with a unique address.



10.1.2 Software

Access the 'advanced settings' by clicking the 'gearbox' icon and select 'Master'. To connect the GSM-PRO2 to a PLC select 'Slave', see chapter 'Modbus Slave'. This is not needed with any GSM-PRO2E version as these units are automatically set as master.

Configure the extension(s) for the module by clicking IO->Extensions. Click the 'Add' button to add a module. Fill the bus address as adjusted on the extension and choose the type of module. Click 'Add' and the module appears in the list. Repeat this step for the number of extensions connected to the module.

Each added module can be configured with a module name and up to 10 users who have access to the module in case of outputs, or receive messages in case of inputs.

NOTE: Failure on Extensions are sent to the selected admin users in the general message tab.

10.2 GSM-PRO-4DO

The 4DO has 4 CO outputs. The following items can be configured with the software for each output:

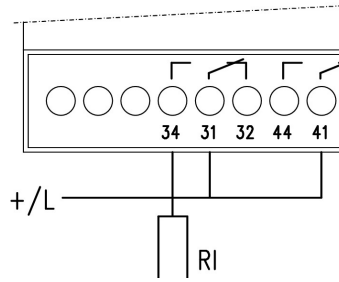
- Extension name
- Output name: default set as DO1 to DO4
- Confirmation message for falling and rising flank.
- User defined instructions to change the status on or off or activate a one-shot.
- Users

To change the output status by a default message SMS: **WDO n x Ea** where n is the output number, x the status and a the bus address.

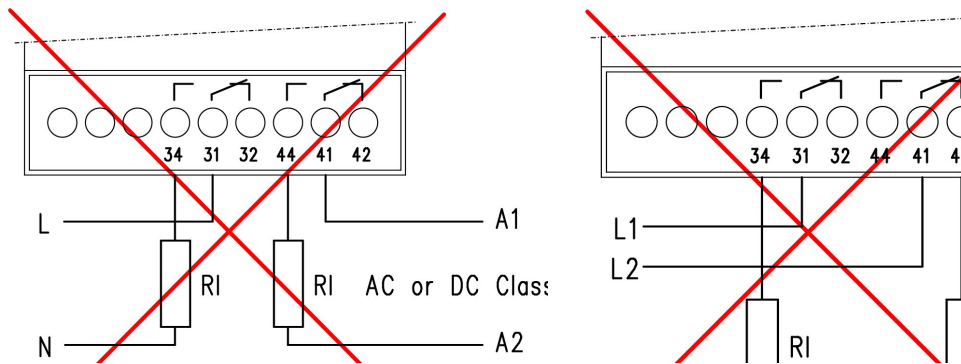
To activate a one-shot by a default message SMS: **WDO n T $xxxx$ Ea** where n is the output number, $xxxx$ the time in seconds and a the bus address.

NOTE: you can set multiple outputs with one SMS when they have the same user defined ON or OFF instruction.

In the following example Do1 is connected as normally open and Do4 is connected as normally closed.



Connect only to a single polarity supply! The following examples are not allowed:



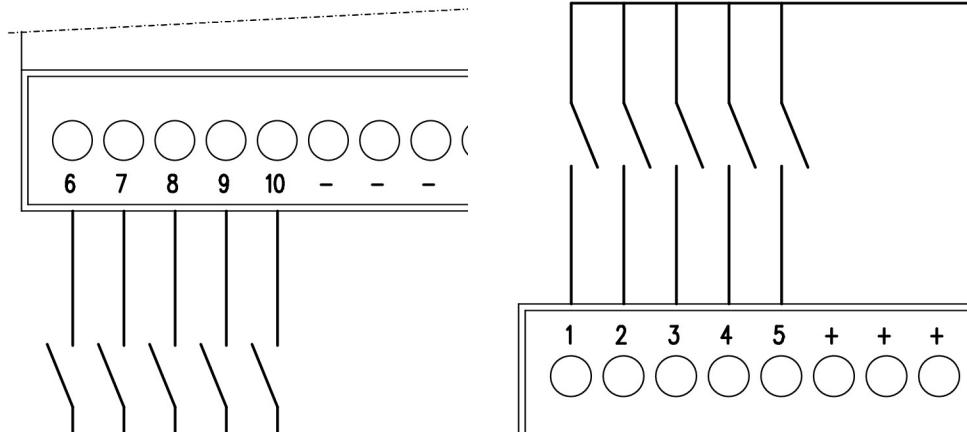
10.3 GSM-PRO-10DI

The 10DI has 10 digital inputs. The following items can be configured for each input:

- Extension name
- Input name; default set as DI1 to DI10.
- Rising / Falling flank message
- Send only the user defined text, this sends only the text defined in the message box, no module name, IO name and timestamp.
- Rising / Falling flank message delay: the changed status must be held for the given time before being accepted
- Recipients

A delay in seconds can be set which a changed DI has to exceed before it is accepted. If the status of the delay is changed back again to the previous state before the delay is expired the change is discarded. Clear the delay to disable detection delay.

In the following examples all Di's are connected to be pulled-up:



10.4 GSM-PRO-8AI

The 8AI has 8 analog inputs. Each analog input (AI) represents a scaled value from 0 to 100% (10V or 20mA). Within this scale threshold values can be monitored.

10.4.1 Configuration

Configure the following items:

- Extension name
- Input name; default set as AI1 to AI8.
- Input type: voltage, current or temperature
- The unit for the input feedback. E.g. litres (Ltr) or kilograms (kg).
- Offset: Calibrate the input value, e.g. temperature measurement with longer cables
- Log this AI at a pre-set interval, see for interval settings the AI tab on the main unit.
- The min. value represents the scaled value for 0V
- The max. value represents the scaled value for 10V or 20mA
- Lower limit threshold
- Upper limit threshold
- Minimal change (hysteresis)
- Send only the user defined text, this sends only the text defined in the message box, no module name, IO name and timestamp.
- The Analog Inputs can generate messages including value and unit when:
 - The upper limit + hysteresis is reached
 - The lower limit – hysteresis is reached
 - The status recovers between the upper and lower limit +/- hysteresis
- Message delay
- Recipients

NOTE: The min./max. and threshold/hysteresis values are limited to 5 digits with a maximum of 2 decimals.

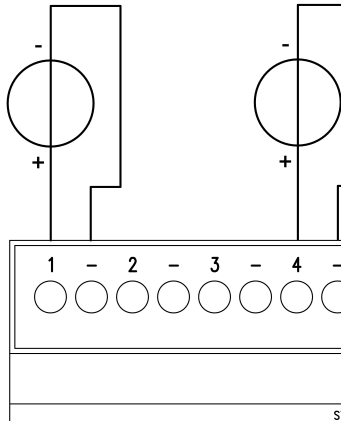
A delay in seconds can be set which a changed AI has to exceed before it is accepted.. If the status of the delay is changed back again to the previous state before the delay is expired the change is discarded. Clear the delay to disable detection delay.

NOTE: Due to time consuming tasks the delay on extensions has an inaccuracy of up to 5 seconds.



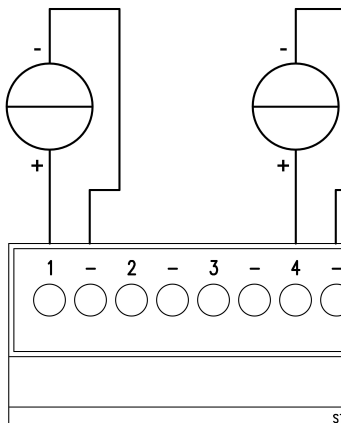
10.4.2 Wiring example

In the following example Ai1 and Ai4 are connected to an analog source.



10.4.3 Current input

When using the GSM-PRO-8AI as 0..20mA current input a 250Ω resistor has to be placed on the header marked with Ri on the number corresponding to the input.





10.5 GSM-PRO-4AO

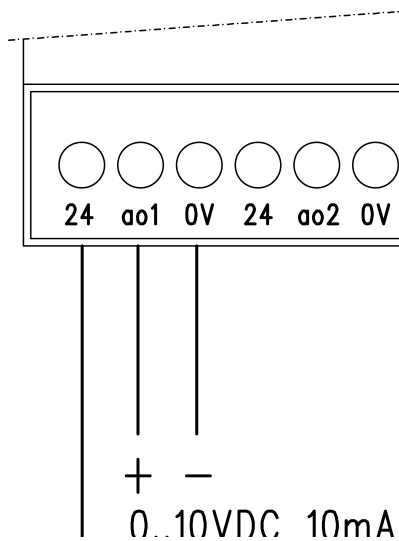
The 4AO has 4 0..10V outputs. The following items can be configured with the software for each output:

- Extension name
- Output name.
- User defined instructions to change the value of the output.
- Users

To change the output status by a default message SMS: **WAO n .x.Ea** where n is the output number, x the value in Volts and a the bus address.

For example WAO15.5E3: output 1 of extension on address 3 is set to 5.5V

In the following example Ao1 is connected as output.



NOTE: The 24VDC is connected to the modbus power and therefore the maximum output current depends on the number of the number of extensions being powered.



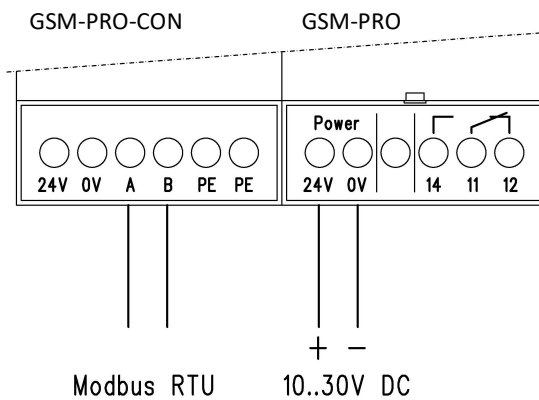
11 Modbus Slave

The GSM-PRO2 can be connected to a PLC as a communication device.

NOTE: It's only possible to use a GSM-PRO2 (not the PRO2E) to act as a Modbus Slave because the GSM-PRO2E uses the bus connection for different (internal) purposes.

11.1 Hardware

The GSM-PRO2 uses a 2 wire RS485 connection with the RTU Modbus protocol. Connect the GSM-PRO2 to a PLC using the GSM-PRO-CON.



11.1.1 COM settings

The following COM settings can be configured for the Modbus connection:

- Baudrate: 9600, 19200, 38400, 57600, 115200
- Stop Bits: 1, 2
- Parity: None, Even, Odd

11.2 Software

Access the 'advanced settings' by clicking the 'gearbox' icon and select 'Slave'. To connect extensions to the GSM-PRO2 select 'Master', see chapter 'Extensions'.

The GSM-PRO2 holds 3 types of registers, see the appendix for further details:

1. Message registers (501...510)
2. Digital registers (601...610)
3. Analog registers (701...710)

11.2.1 Slave address

The slave address of the GSM-PRO2 is configured by software. Choose an address between 1 and 255 and upload this to the module.



11.2.2 Message registers

Each of the 10 message registers can be configured with a text message and recipients. The default value of each register is '0'. When written to '1' the GSM-PRO2 will send the message to the recipients and writes the value of the register back to '0'.

11.2.3 Digital registers

The digital registers can contain a value of '0' or '1' which can be altered by user defined or pre-defined SMS instructions.

This way remote digital instructions can be given to the PLC.

11.2.4 Analog registers

The analog registers can contain a value between '0' and '65535' which can be altered by user defined or pre-defined SMS instructions.

This way remote analog instructions can be given to the PLC.

11.2.5 Default messaging

To change the register value by a default message SMS: **WREGnv** where n is the register address and v the value.

To read the register value by a default message SMS: **RREGn** where n is the register address.

11.2.6 Restart module

Modbus register 10 is default set to '1' on startup. When written to '0' the GSM-PRO does a restart.



12 Other messages

12.1 Module reset

Reset with the following command: **wreset**. This performs a full module reset. However, the set configuration is retained. The module answers with the power cycle message if set.

12.2 First start reset

The command **fsr** will restart the module like the first time after programming. This means the hours- and pulse counter will be cleared, digital outputs will be deactivated and all running processes on the background will be stopped. However, the set configuration is retained. After the **fsr** command the **wreset** command needs to be send to the unit to complete the procedure of the first start reset.

12.3 Stop messaging

The command: **mesoff** will stop the module from sending any more messages.
The module answers: 'messaging turned off'.

To turn back on the messaging send: **meson**.
The module answers: 'messaging turned on'.

12.4 Show all SMS commands

Send **help** to receive a list with all commands. See chapter 15 for an overview.

12.5 Set Time

Normally the time is synchronized automatically between tower and module. If this doesn't happen the time can always be set by sending the message: **time**



13 Other features

13.1 Languages

By clicking the gearbox icon other languages (English, German, Dutch, French and Spanish) can be selected.

13.2 Update mail

By selecting “Register” under the information (I) icon a form is opened. By filling out this form you will receive update information on GSM-PRO2 and its software. This way you stay up to date with the latest software releases and new features.

NOTE: This feature will not be used for any other advertisement or marketing activities, it is strictly GSM-PRO related.



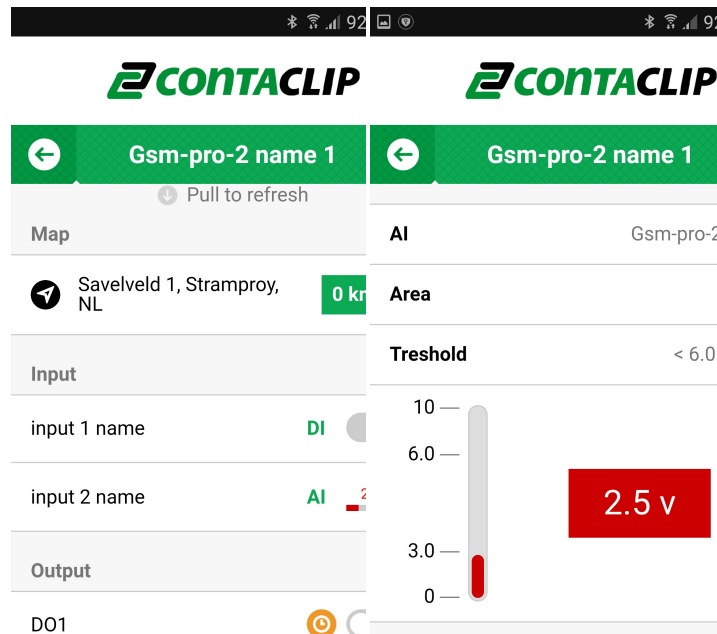
14 Additional software

14.1 GSM-PRO2 App

The GSM-PRO2 App can be downloaded from the Google Play store for Android and from the Apple Store for Apple iOS Phones.



With the app you can view the IO status and events or set an output by simple tapping your smart phones touch screen. No longer need to remember any SMS codes.



Check the APP box under the Settings tab.

Open the GSM-PRO2 app. Add a GSM-PRO2 device to the app by entering the module phone number and IMEI code.

NOTE: The APP only works when mobile data is enabled, and APN settings are entered (see chapter 5.2 and 5.5).



15 Troubleshooting

15.1 Cannot connect to the PC, no module found

- Re-connect the USB cable from the PC.
- Reboot the PC (after driver installation).
- Start the program as administrator, right click->Run as administrator.
- Try a different USB port, remove any hubs or extension cables.

15.2 No connection to GSM network

- Make sure the SIM card is placed correctly.
- Check the diagnostics tab for error messages, PUK or PIN required.
- Check the signal strength.

15.3 The module doesn't send any messages

- Is the used IO proper set.
- Make sure the SIM card is placed correct.
- Does the prepaid card holds enough credit.
- Check your email spam/unwanted box.

15.4 The module doesn't start

- Disconnect from power, wait 5 minutes and reconnect to power.

15.5 Diagnosis

For additional troubleshooting, the activities in the module can be monitored with the diagnosis window. To open this right click the GSM-PRO2 icon in the taskbar and select 'open Diagnostics'.



16 appendix: SMS commands

| | |
|------------|--|
| RALL | => read all IOs |
| RALLm | => mail status all IOs to email address m |
| WDOnx | => write digital output number n to status x |
| WMDOxxxx | => write multiple digital outputs to status x |
| WDOntxxx | => write digital output number n to status 1 for xxx seconds |
| WRESET | => device reset |
| FSR | => first start reset |
| CCFm | => mail configuration file to email address m |
| EVLOGm | => mail event log to email address m |
| EVCLR | => clear event log |
| AILOGm | => mail AI log to email address m |
| AICLR | => clear analog inputs log |
| CLOGm | => mail counter log to email address m |
| CLCLR | => clear counter log |
| FOTAP | => firmware over the air provisioning |
| ROTAC | => request over the air configuration |
| COTAC | => check over the air configuration |
| CDC | => check data connection |
| FWV | => request firmware version |
| MESON | => turn on messaging |
| MESOFF | => turn off messaging |
| TIME | => synchronize date/time by SMS |
| TIMEDIn | => request digital input hour counter n, use '0' for all di's |
| TIMEDO | => request digital output hour counter n, use '0' for all do's |
| CLRTIMEDIn | => reset digital input hour counter n, use '0' for all di's |
| CLRTIMEDO | => reset digital output hour counter n, use '0' for all do's |



| | |
|--|--|
| IMEI | => request IMEI number |
| STATUS | => request diagnostics |
| WDOnxEa | => write digital output number n to status x on extension address a |
| WDOntxxxxEa | => write digital output number n to status 1 on extension address a for xxxx seconds |
| WAOnx.xEa | => change analogue output number n to status x on extension address a |
| HELP | => view all SMS commands |
| CSQ | => check signal quality and strength |
| CNT | => request counter value |
| CLRCNT | => clear counter |
| STARTAPP | => enable APP |
| DELETEFROMAPP | => remove the module from the APP database |
| WREGnv | => Write Modbus Register n to value v |
| RREGn | => Read Modbus Register n |
| APN,<APN name>,<APN username>,<APN password> | => set's a one-off internet connection |
| ALLOWDATA | => enable data |
| DLMON | => GSM connection lost message ON |
| DLMOFF | => GSM connection lost message OFF |



17 APPENDIX: diagnostic commands

| | |
|----------|---|
| MPWR | => device power (V) |
| UIn | => request ui number n, use '0' for all ui's |
| Dox | => set do to status x |
| Mbwaarrv | => Modbus write address aaa(3 digit), register address rrr (3 digit), value v |
| Mbraarr | => Modbus read address aaa(3 digit), register address rrr (3 digit) |



18 Appendix: Modbus Registers

| Description | Read/Write | Register | Data description | Saved | Min. | Default | Max. |
|-------------|------------|----------|----------------------------|-------|------|---------|-------|
| Restart | R/W | 10 | Write to 0 to restart. | | 0 | 1 | 1 |
| | | | | | | | |
| Message 1 | R/W | 501 | Write to 1 to send message | V | 0 | 0 | 1 |
| Message 2 | R/W | 502 | Write to 1 to send message | V | 0 | 0 | 1 |
| Message 3 | R/W | 503 | Write to 1 to send message | V | 0 | 0 | 1 |
| Message 4 | R/W | 504 | Write to 1 to send message | V | 0 | 0 | 1 |
| Message 5 | R/W | 505 | Write to 1 to send message | V | 0 | 0 | 1 |
| Message 6 | R/W | 506 | Write to 1 to send message | V | 0 | 0 | 1 |
| Message 7 | R/W | 507 | Write to 1 to send message | V | 0 | 0 | 1 |
| Message 8 | R/W | 508 | Write to 1 to send message | V | 0 | 0 | 1 |
| Message 9 | R/W | 509 | Write to 1 to send message | V | 0 | 0 | 1 |
| Message 10 | R/W | 510 | Write to 1 to send message | V | 0 | 0 | 1 |
| | | | | | | | |
| Digital 1 | R/W | 601 | Digital Control Value | V | 0 | 0 | 1 |
| Digital 2 | R/W | 602 | Digital Control Value | V | 0 | 0 | 1 |
| Digital 3 | R/W | 603 | Digital Control Value | V | 0 | 0 | 1 |
| Digital 4 | R/W | 604 | Digital Control Value | V | 0 | 0 | 1 |
| Digital 5 | R/W | 605 | Digital Control Value | V | 0 | 0 | 1 |
| Digital 6 | R/W | 606 | Digital Control Value | V | 0 | 0 | 1 |
| Digital 7 | R/W | 607 | Digital Control Value | V | 0 | 0 | 1 |
| Digital 8 | R/W | 608 | Digital Control Value | V | 0 | 0 | 1 |
| Digital 9 | R/W | 609 | Digital Control Value | V | 0 | 0 | 1 |
| Digital 10 | R/W | 610 | Digital Control Value | V | 0 | 0 | 1 |
| | | | | | | | |
| Analog 1 | R/W | 701 | Analog Control Value | V | 0 | 0 | 65535 |
| Analog 2 | R/W | 702 | Analog Control Value | V | 0 | 0 | 65535 |
| Analog 3 | R/W | 703 | Analog Control Value | V | 0 | 0 | 65535 |
| Analog 4 | R/W | 704 | Analog Control Value | V | 0 | 0 | 65535 |
| Analog 5 | R/W | 705 | Analog Control Value | V | 0 | 0 | 65535 |
| Analog 6 | R/W | 706 | Analog Control Value | V | 0 | 0 | 65535 |
| Analog 7 | R/W | 707 | Analog Control Value | V | 0 | 0 | 65535 |
| Analog 8 | R/W | 708 | Analog Control Value | V | 0 | 0 | 65535 |
| Analog 9 | R/W | 709 | Analog Control Value | V | 0 | 0 | 65535 |
| Analog 10 | R/W | 710 | Analog Control Value | V | 0 | 0 | 65535 |