

Data Sheet for Article: YRS50004--

# Socket for RS/PT5 relays, screw type terminals 14-pole, 10A

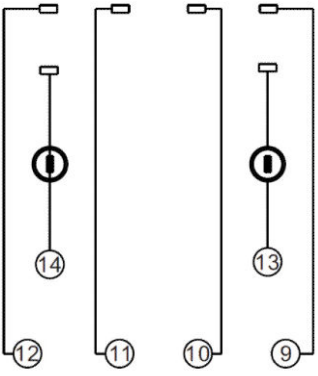
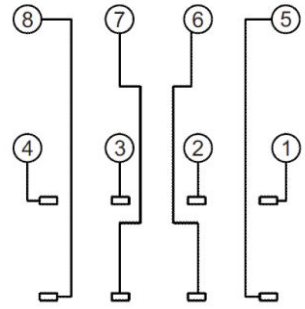
Suitable relay series: PT5, RS5 and RS4



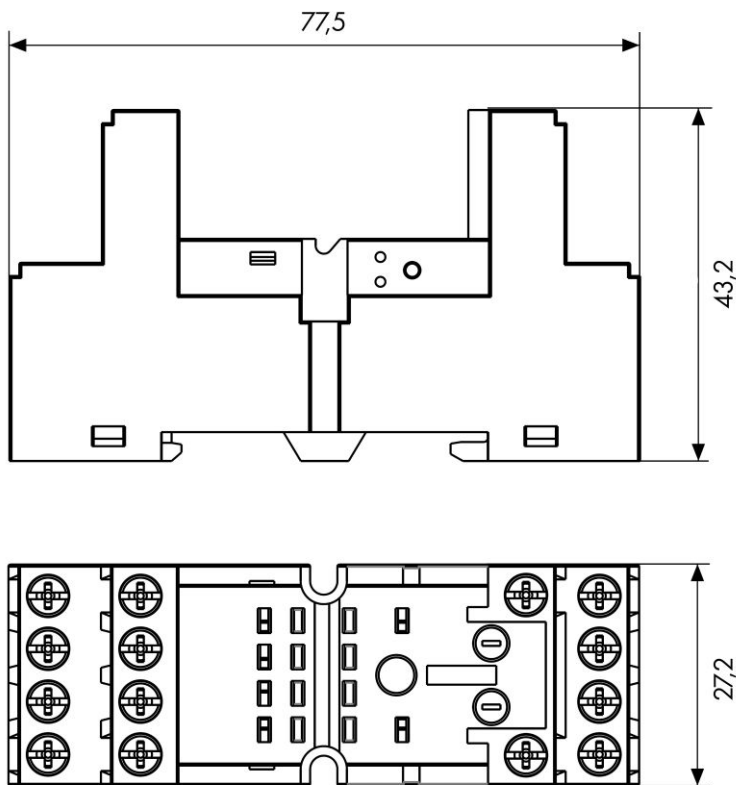
## Technical Data

Net weight (kg)	0,05
Min. ambient temperature (°C)	-40
Max. ambient temperature (°C)	85
Contact current (A)	10
Connection type	Screw clamps
Between poles	2500
Between contact and coil	4000
Rated voltage	300VAC
Dielectric strength	-
Max. tightening torque (Nm)	1
Solid wire diameter (mm <sup>2</sup> )	0.5 - 2.5
Flexible wire diameter (mm <sup>2</sup> )	0.5 - 2.5
Flexible wire with ferrule (diameter) (mm <sup>2</sup> )	0.5 - 2.5

**Wiring diagram**



## Dimensions



[mm]

## Article Table

DESCRIPTION	Order No.
Socket for RS/PT5 relays, screw type terminals 14-pole, 10A Suitable relay series: PT5, RS5 and RS4	YRS50004
<b>Optional Accessories</b>	
Marking tag for YRS socket	YRS20000
Plastic - Retaining clip for YRS socket	YRS40000
Metal - Retaining clip for YRS socket	YRS50000
Protection diode module 6-250VDC for S-Relay socket	YRS13250
LED+PD module green 6-24VDC A1+ for S-Relay socket	YRS12024
LED module green 24VAC/DC for S-Relay socket	YRS11524
LED module green 110-240VAC for S-Relay socket	YRS11730
RC-Network module 6-24VAC for S-Relay socket	YRS14524
RC-Network module 110-240VAC for S-Relay socket	YRS14730
Plastic - Retaining clip for PT relays for YRS socket	YRS400PT
Metal - Retaining clip for PT relays for YRS socket	YRS500PT