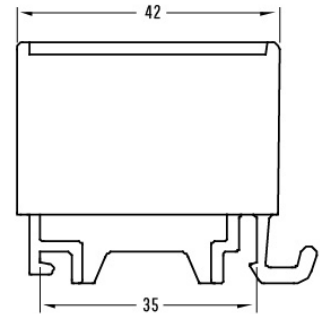
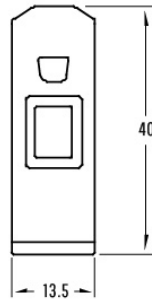


## KE Universal terminal for Al/Cu conductors

1 Bit 16mm<sup>2</sup>

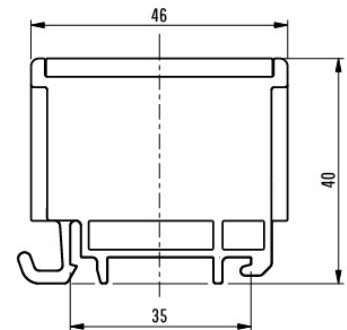
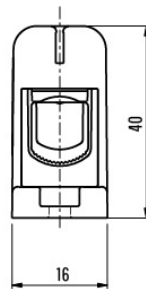
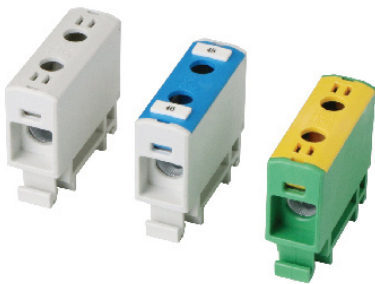


Conductor Cross-section (mm <sup>2</sup> )	1.5-16 mm <sup>2</sup>
Conductor Size (AWG)	1/0-6
Material	PA66 UL94-V0
Mounting	DIN-Rail mounting
Screw	Hexagon, 4mm
Operating temperature (°C)	Max 80 °C
Standard	EN61238-1, EN60947-7-2
Marking strip	ZB5 10 bit /bar

Model	Code	Color	Pole	Tighten torque (Nm)	Rated current (A)	Nominal voltage (V)	Weight (g)
KE60.1	1914100	Gray	1 pole AL/Cu 1.5-16 mm <sup>2</sup>	1.5Nm(1.5 mm <sup>2</sup> )	85A	690V	15
KE60.2	1914101	Blue		3.5Nm(2.5-6 mm <sup>2</sup> )			
KE60.3	1914102	Yellow/Green		7Nm(10-16 mm <sup>2</sup> )			

## KE Universal terminal for Al/Cu conductors

1 Bit 35mm<sup>2</sup>

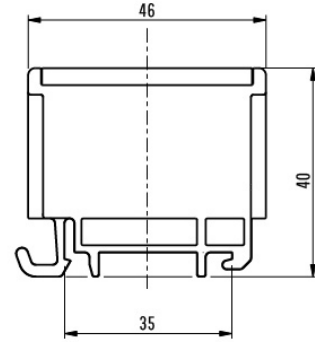
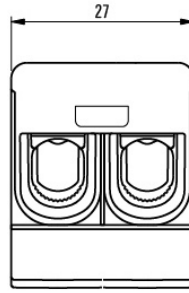
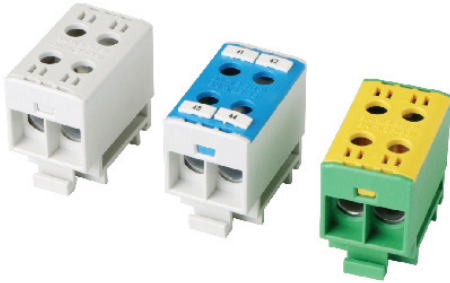


Conductor Cross-section (mm <sup>2</sup> )	2.5-35 mm <sup>2</sup>
Conductor Size (AWG)	1/0-6
Material	PA66 UL94-V0
Mounting	DIN-Rail mounting
Screw	Hexagon, 4mm
Operating temperature (°C)	Max 80 °C
Standard	EN61238-1, EN60947-7-2
Marking strip	ZB5 10 bit /bar

Model	Code	Color	Pole	Tighten torque (Nm)	Rated current (A)	Nominal voltage (V)	Weight (g)
KE50.1	1914206	Gray	2 pole AL/Cu 2.5-35 mm <sup>2</sup>	3Nm(2.5-16 mm <sup>2</sup> )	Cu 135A AL 120A	1000V	44
KE50.2	1914207	Blue		6Nm(25-35 mm <sup>2</sup> )			
KE50.3	1914208	Yellow/Green					

## KE Universal terminal for Al/Cu conductors

2 Bits 35mm<sup>2</sup>

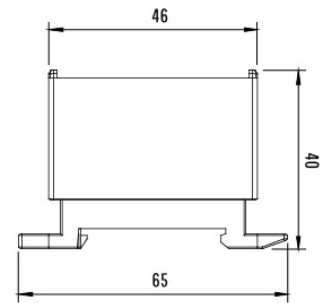
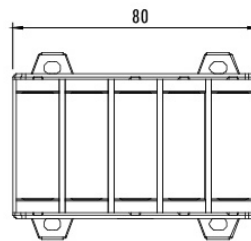
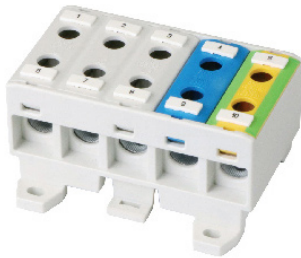


Conductor Cross-section (mm <sup>2</sup> )	2.5-35 mm <sup>2</sup>
Conductor Size (AWG)	1/0-6
Material	PA66 UL94-V0
Mounting	DIN-Rail mounting
Screw	Hexagon, 4mm
Operating temperature (°C)	Max 80°C
Standard	EN61238-1, EN60947-7-2
Marking strip	ZB5 10 bit /bar

Model	Code	Color	Pole	Tighten torque (Nm)	Rated current (A)	Nominal voltage (V)	Weight (g)
KE65.1		Gray	1 pole Al/Cu 2.5-35 mm <sup>2</sup>	3Nm(2.5-16 mm <sup>2</sup> )	Cu 135A AL 120A	1000V	24
KE65.2		Blue		6Nm(25-35 mm <sup>2</sup> )			
KE65.3		Yellow/Green					

## KE Universal terminal for Al/Cu conductors

5 Bits 35mm<sup>2</sup>

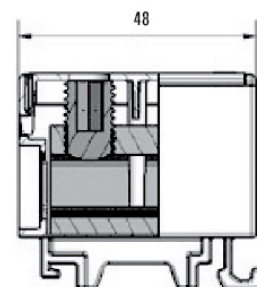
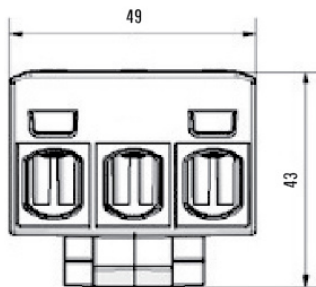
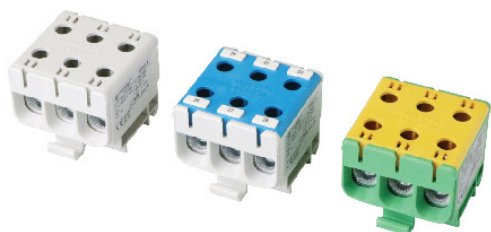


Conductor Cross-section (mm <sup>2</sup> )	2.5-35 mm <sup>2</sup>
Conductor Size (AWG)	1/0-6
Material	PA66 UL94-V0
Mounting	DIN-Rail mounting
Screw	Hexagon, 4mm
Operating temperature (°C)	Max 80°C
Standard	EN61238-1, EN60947-7-2
Marking strip	ZB5 10 bit /bar

Model	Code	Color	Pole	Tighten torque (Nm)	Rated current (A)	Nominal voltage (V)	Weight (g)
KE65.7		Gray	5 pole Al/Cu 2.5-35 mm <sup>2</sup>	3Nm(2.5-16 mm <sup>2</sup> )	Cu 135A AL 120A	1000V	112
		Blue		6Nm(25-35 mm <sup>2</sup> )			
		Yellow/Green					

## KE Universal terminal for Al/Cu conductors

3 Bits 50mm<sup>2</sup>

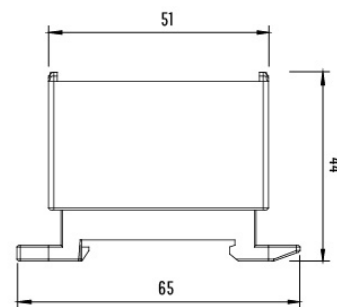
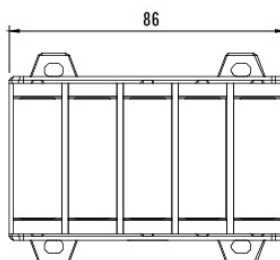
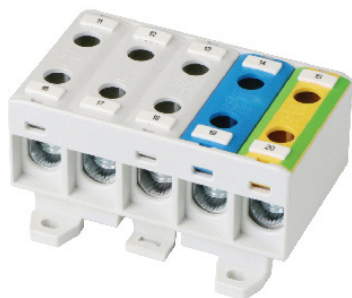


Conductor Cross-section (mm <sup>2</sup> )	Cu 2.5-50 mm <sup>2</sup> Al 6-50 mm <sup>2</sup>
Conductor Size (AWG)	1/0-6
Material	PA66 UL94-V0
Mounting	DIN-Rail mounting
Screw	Hexagon, 5mm
Operating temperature (°C)	Max 80 °C
Standard	EN61238-1, EN60947-7-2
Marking strip	ZB5 10 bit /bar

Model	Code	Color	Pole	Tighten torque (Nm)	Rated current (A)	Nominal voltage (V)	Weight (g)
KE61.4	1914109	Gray	3 pole Al/Cu 2.5-50 mm <sup>2</sup>	4Nm(2.5-4 mm <sup>2</sup> ) 12Nm(6-50 mm <sup>2</sup> )	Cu 160A AL 145A	750V	35
KE61.5	1914110	Blue					
KE61.6	1914111	Yellow/Green					

## KE Universal terminal for Al/Cu conductors

5 Bits 50mm<sup>2</sup>

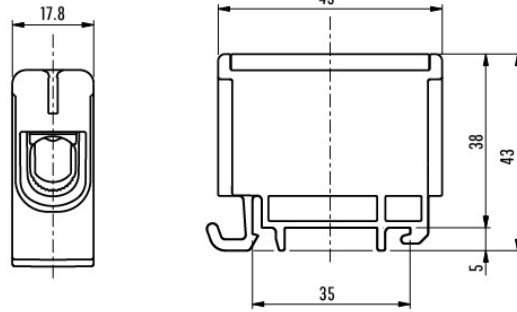
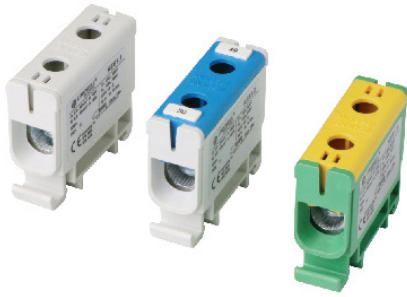


Conductor Cross-section (mm <sup>2</sup> )	Cu 2.5-50 mm <sup>2</sup> Al 6-50 mm <sup>2</sup>
Conductor Size (AWG)	1/0-6
Material	PA66 UL94-V0
Mounting	DIN-Rail mounting
Screw	Hexagon, 5mm
Operating temperature (°C)	Max 80 °C
Standard	EN61238-1, EN60947-7-2
Marking strip	ZB5 10 bit /bar

Model	Code	Color	Pole	Tighten torque (Nm)	Rated current (A)	Nominal voltage (V)	Weight (g)
KE61.7	1914109	Gray	5 pole Al/Cu 2.5-50 mm <sup>2</sup>	4Nm(2.5-4 mm <sup>2</sup> ) 12Nm(6-50 mm <sup>2</sup> )	Cu 160A AL 145A	1000V	155
	1914110	Blue					
	1914111	Yellow/Green					

## KE Universal terminal for Al/Cu conductors

1 Bit 50mm<sup>2</sup>

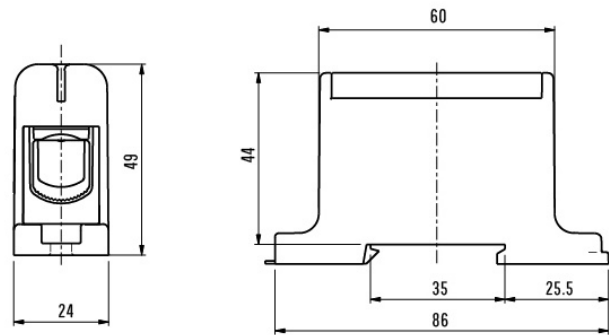


Conductor Cross-section (mm <sup>2</sup> )	Cu 2.5-50 mm <sup>2</sup> Al 6-50 mm <sup>2</sup>
Conductor Size (AWG)	1/0-6
Material	PA66 UL94-V0
Mounting	DIN-Rail mounting
Screw	Hexagon, 5mm
Operating temperature (°C)	Max 80 °C
Standard	EN61238-1, EN60947-7-2
Marking strip	ZB5 10 bit /bar

Model	Code	Color	Pole	Tighten torque (Nm)	Rated current (A)	Nominal voltage (V)	Weight (g)
KE61.1	1914103	Gray	1 pole Al/Cu2.5-50 mm <sup>2</sup>	4Nm(2.5-4 mm <sup>2</sup> )	Cu 160A AL 145A	750V	35
KE61.2	1914104	Blue		12Nm(6-50 mm <sup>2</sup> )			
KE61.3	1914105	Yellow/Green					

## KE Universal terminal for Al/Cu conductors

1 Bit 95mm<sup>2</sup>

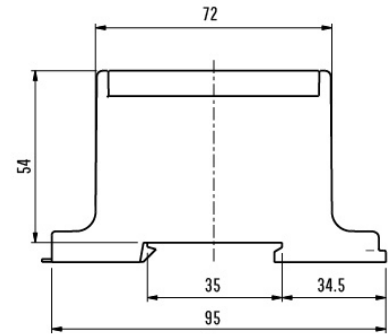
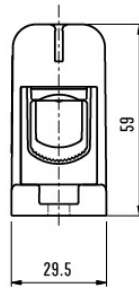


Conductor Cross-section (mm <sup>2</sup> )	16-95 mm <sup>2</sup>
Conductor Size (AWG)	4/0-4
Material	PA66 UL94-V0
Mounting	DIN-Rail mounting
Screw	Hexagon, 5mm
Operating temperature (°C)	Max 80 °C
Standard	EN61238-1, EN60947-7-2
Marking strip	ZB5 10 bit /bar

Model	Code	Color	Pole	Tighten torque (Nm)	Rated current (A)	Nominal voltage (V)	Weight (g)
KE62.1	1914113	Gray	1 pole Al/Cu16-95 mm <sup>2</sup>	20Nm	Cu 245A AL 220A	750V	90
KE62.2	1914114	Blue					
KE62.3	1914115	Yellow/Green					

## KE Universal terminal for Al/Cu conductors

1 Bit 150mm<sup>2</sup>

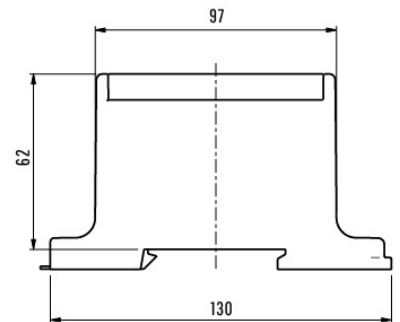
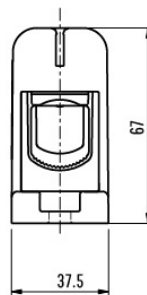


Conductor Cross-section (mm <sup>2</sup> )	35-150 mm <sup>2</sup>
Conductor Size (AWG)	300-2
Material	PA66 UL94-V0
Mounting	DIN-Rail mounting
Screw	Hexagon, 8mm
Operating temperature (°C)	Max 80 °C
Standard	SFS 2663
Marking strip	Z85 10 bit /bar

Model	Code	Color	Pole	Tighten torque (Nm)	Rated current (A)	Nominal voltage (V)	Weight (g)
KE63.1	1914118	Gray	1 pole AL/Cu 35-150 mm <sup>2</sup>	14Nm(35-95mm <sup>2</sup> )	Cu 320A AL 290A	750V	160
KE63.2	1914119	Blue		24Nm(120-150mm <sup>2</sup> )			
KE63.3	1914120	Yellow/Green					

## KE Universal terminal for Al/Cu conductors

1 Bit 240mm<sup>2</sup>

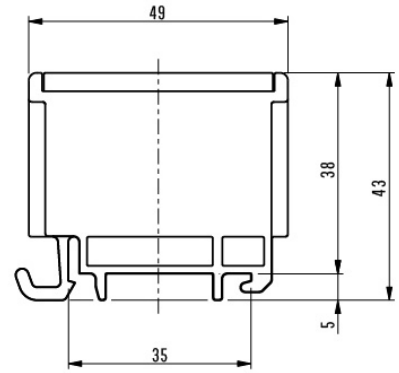
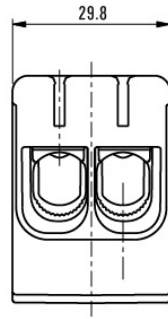


导体截面(mm <sup>2</sup> )	35-240 mm <sup>2</sup>
导体尺寸(AWG)	500-3/0
材质	PA66 UL94-V0
安装类型	DIN-Rail mounting
螺丝类型	Hexagon, 8mm
工作温度(°C)	Max 80 °C
标准	EN61238-1, EN60947-7-2
标记条	Z85 10 bit /bar

Model	Code	Color	Pole	Tighten torque (Nm)	Rated current (A)	Nominal voltage (V)	Weight (g)
KE64.1	1914130	Gray	1 pole AL/Cu 35-240 mm <sup>2</sup>	12Nm(35-70mm <sup>2</sup> )	Cu 425A AL 380A	750V	305
KE64.2	1914131	Blue		40Nm(95-240mm <sup>2</sup> )			
KE64.3	1914132	Yellow/Green					

## KE Universal terminal for Al/Cu conductors

2 Bits 50mm<sup>2</sup>

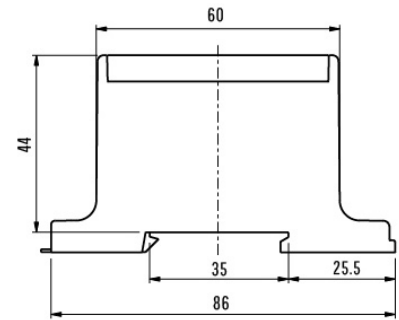
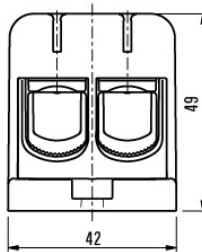


Conductor Cross-section (mm <sup>2</sup> )	Cu 2.5-50 mm <sup>2</sup> Al 6-50 mm <sup>2</sup>
Conductor Size (AWG)	1/0-6
Material	PA66 UL94-V0
Mounting	DIN-Rail mounting
Number of termination points	4 Bits
Screw	Hexagon, 5mm
Operating temperature (°C)	Max 80 °C
Standard	EN 61238-1, EN 60947-7-1
Marking strip	ZB5 10 bit /bar

Model	Code	Color	Pole	Tighten torque (Nm)	Rated current (A)	Nominal voltage (V)	Weight (g)
KE66.1	1914106	Gray	2 pole Al/Cu 2.5-50 mm <sup>2</sup>	4Nm(2.5-4 mm <sup>2</sup> )	Cu 160A AL 145A	750V	60
KE66.2	1914107	Blue		12Nm(6-50 mm <sup>2</sup> )			
KE66.3	1914108	Yellow/Green					

## KE Universal terminal for Al/Cu conductors

2 Bits 95mm<sup>2</sup>

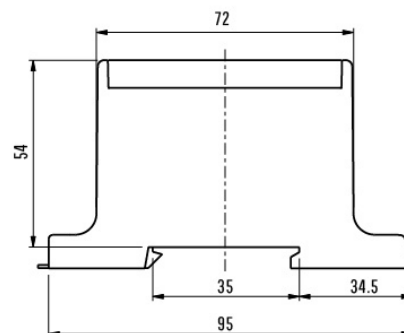
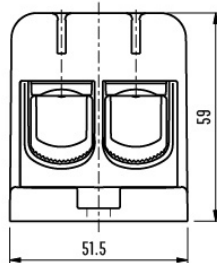


Conductor Cross-section (mm <sup>2</sup> )	16-95 mm <sup>2</sup>
Conductor Size (AWG)	4/0-4
Material	PA66 UL94-V0
Mounting	DIN-Rail mounting
Number of termination points	4 Bits
Screw	Hexagon, 8mm
Operating temperature (°C)	Max 80 °C
Standard	EN 61238-1, EN 60947-7-1
Marking strip	ZB5 10 bit /bar

Model	Code	Color	Pole	Tighten torque (Nm)	Rated current (A)	Nominal voltage (V)	Weight (g)
KE67.1	1914125	Gray	2 pole Al/Cu 16-95 mm <sup>2</sup>	20 Nm	Cu 245A AL 220A	750V	165
KE67.2	1914126	Blue					
KE67.3	1914127	Yellow/Green					

## KE Universal terminal for Al/Cu conductors

2 Bits 150mm<sup>2</sup>

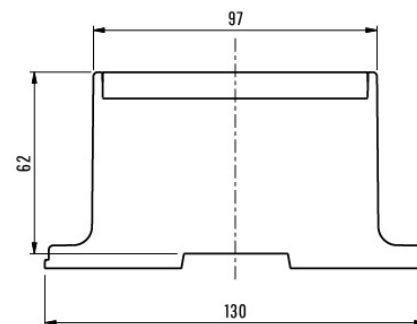
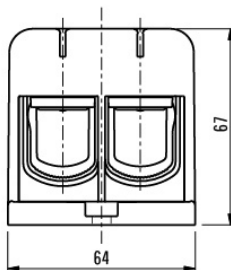


Conductor Cross-section (mm <sup>2</sup> )	35-150 mm <sup>2</sup>
Conductor Size (AWG)	300-2
Material	PA66 UL94-V0
Mounting	Screw
Number of termination points	4bit
Screw	Hexagon, 8mm
Operating temperature (°C)	Max 80 °C
Standard	EN 61238-1, EN 60947-7-1
Marking strip	Z85 10 bit /bar

Model	Code	Color	Pole	Tighten torque (Nm)	Rated current (A)	Nominal voltage (V)	Weight (g)
KE68.1	1914124	Gray	2 pole AL/Cu 35-150 mm <sup>2</sup>	20 Nm (35-95mm <sup>2</sup> )	Cu 320A AL 290A	750V	290
KE68.2	1914125	Blue		30 Nm (120-150mm <sup>2</sup> )			
KE68.3	1914126	Yellow/Green					

## KE Universal terminal for Al/Cu conductors

2 Bits 240mm<sup>2</sup>

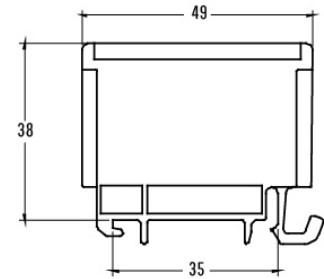
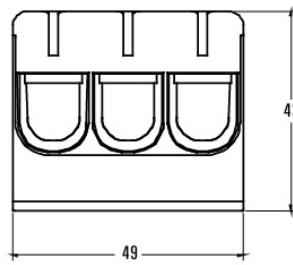
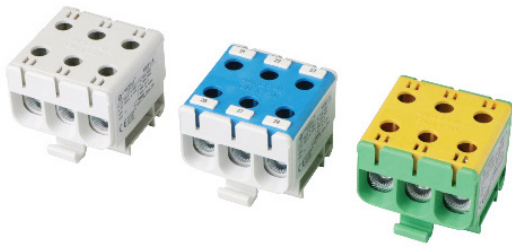


Conductor Cross-section (mm <sup>2</sup> )	35-240 mm <sup>2</sup>
Conductor Size (AWG)	500-3/0
Material	PA66 UL94-V0
Mounting	Screw
Number of termination points	4bit
Screw	Hexagon, 8mm
Operating temperature (°C)	Max 80 °C
Standard	EN 61238-1, EN 60947-7-1
Marking strip	Z85 10 bit /bar

Model	Code	Color	Pole	Tighten torque (Nm)	Rated current (A)	Nominal voltage (V)	Weight (g)
KE69.1	1914133	Gray	2 pole AL/Cu 35-240 mm <sup>2</sup>	12 Nm (35-70mm <sup>2</sup> )	Cu 425A AL 380A	750V	550
KE69.2	1914134	Blue		45 Nm (95-240mm <sup>2</sup> )			
KE69.3	1914135	Yellow/Green					

## KE Universal terminal for Al/Cu conductors

3 Bits 50mm<sup>2</sup>

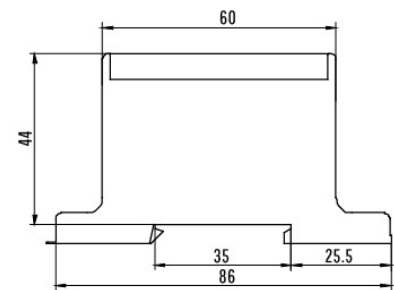
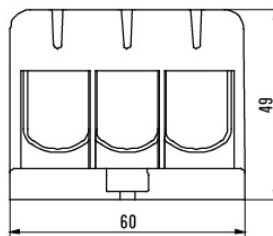


Conductor Cross-section (mm <sup>2</sup> )	Cu 2.5-50 mm <sup>2</sup> ; Al 6-50 mm <sup>2</sup>
Conductor Size (AWG)	1/0-6
Material	PA66 UL94-V0
Mounting	DIN-Rail mounting
Number of termination points	4bit
Screw	Hexagon, 5mm
Operating temperature (°C)	Max 80 °C
Standard	EN61238-1, EN60947-7-1
Marking strip	ZB5 10 bit /bar

Model	Code	Color	Pole	Tighten torque (Nm)	Rated current (A)	Nominal voltage (V)	Weight (g)
KE71.1		Gray	3 pole Al/Cu2.5-50 mm <sup>2</sup>	4Nm(2.5-4 mm <sup>2</sup> ) 12Nm(6-50 mm <sup>2</sup> )	Cu 160A AL 145A	750V	60
KE71.2		Blue					
KE71.3		Yellow/Green					

## KE Universal terminal for Al/Cu conductors

3 Bits 95mm<sup>2</sup>



Conductor Cross-section (mm <sup>2</sup> )	16-95 mm <sup>2</sup>
Conductor Size (AWG)	4/0-4
Material	PA66 UL94-V0
Mounting	Screw
Number of termination points	4bit
Screw	Hexagon, 8mm
Operating temperature (°C)	Max 80 °C
Standard	EN 61238-1, EN 60947-7-1
Marking strip	ZB5 10 bit /bar

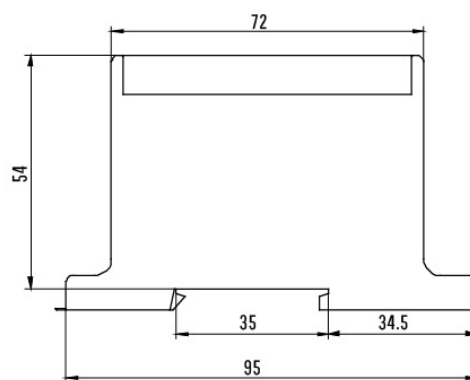
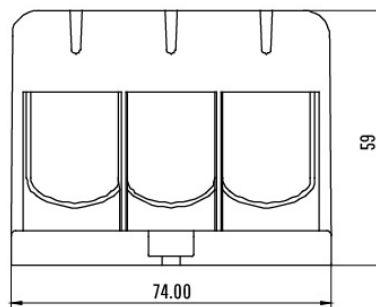
Model	Code	Color	Pole	Tighten torque (Nm)	Rated current (A)	Nominal voltage (V)	Weight (g)
KE72.1		Gray	3 pole Al/Cu16-95 mm <sup>2</sup>	20 Nm	Cu 245A AL 220A	750V	165
KE72.2		Blue					
KE72.3		Yellow/Green					

# KE Universal terminal for Al/Cu conductors

3 Bits 150mm<sup>2</sup>



## Dimensional drawing



Conductor Cross-section (mm <sup>2</sup> )	35-150 mm <sup>2</sup>
Conductor Size (AWG)	300-2
Material	PA66 UL94-V0
Mounting	Screw
Number of termination points	4 bit
Screw	Hexagon, 8mm
Operating temperature (°C)	Max 80°C
Standard	EN61238-1, EN60947-7-1
Marking strip	Z85 10 bit /bar

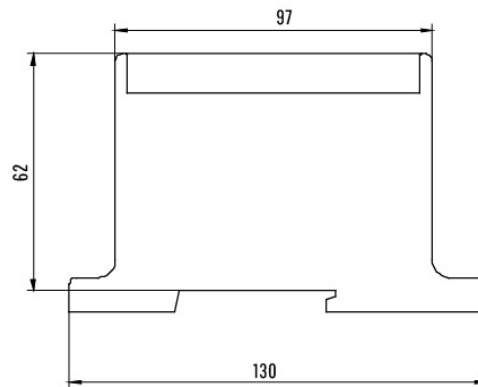
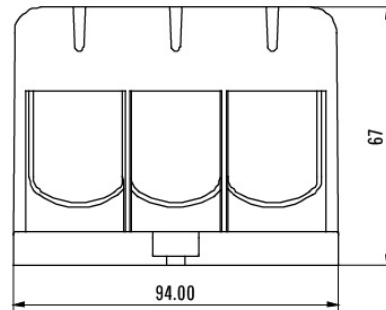
Model	Code	Color	Pole	Tighten torque (Nm)	Rated current (A)	Nominal voltage (V)	Weight (g)
KE73.1		Gray	3 pole Al/Cu35-150 mm <sup>2</sup>	20 Nm (35-95mm <sup>2</sup> )	Cu 320A	750V	290
KE73.2		Blue		30 Nm (120-150mm <sup>2</sup> )	Al 290A		
KE73.3		Yellow/Green					

# KE Universal terminal for Al/Cu conductors

3 Bits 240mm<sup>2</sup>



Dimensional drawing



Conductor Cross-section (mm <sup>2</sup> )	35-240 mm <sup>2</sup>
Conductor Size (AWG)	500-3/0
Material	PA66 UL94-V0
Mounting	Screw
Number of termination points	4 bit
Screw	Hexagon., 8mm
Operating temperature (°C)	Max 80 °C
Standard	EN 61238-1, EN 60947-7-1
Marking strip	ZB5 10 bit /bar

Model	Code	Color	Pole	Tighten torque (Nm)	Rated current (A)	Nominal voltage (V)	Weight (g)
KE74.1		Gray	3 pole Al/Cu 35-240 mm <sup>2</sup>	12 Nm (35-70mm <sup>2</sup> )	Cu 425A	750V	550
KE74.2		Blue		45 Nm (95-240mm <sup>2</sup> )	Al 380A		
KE74.3		Yellow/Green					

