

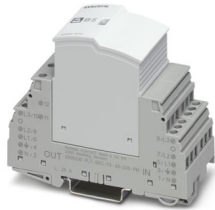
PLT-SEC-T3-3S-230-FM - Type 3 surge protection device



2905230

<https://www.phoenixcontact.com/au/products/2905230>

Please be informed that the data shown in this PDF document is generated from our online catalog. Please find the complete data in the user documentation. Our general terms of use for downloads are valid.



Plug-in device protection, according to type 3/class III, for 3-phase power supply networks with separate N and PE (5-conductor system: L1, L2, L3, N, PE), with integrated surge-proof fuse and remote indication contact.

Your advantages

- Surge protection family for universal use with optimum energy coordination from the lightning current arrester to the device protection
- Easy to maintain due to consistently pluggable protection modules
- Excellent level of information provided by visual status indicator and remote indication contact
- Optimal additional protection of the industrial power supply for a longer service life and increased availability of the system

Commercial data

| | |
|--------------------------------------|---------------|
| Item number | 2905230 |
| Packing unit | 1 pc |
| Minimum order quantity | 1 pc |
| Sales key | CL14A1 |
| Product key | CL14A1 |
| GTIN | 4046356939706 |
| Weight per piece (including packing) | 156.3 g |
| Weight per piece (excluding packing) | 156.3 g |
| Customs tariff number | 85363090 |
| Country of origin | DE |

PLT-SEC-T3-3S-230-FM - Type 3 surge protection device



2905230

<https://www.phoenixcontact.com/au/products/2905230>

Technical data

Product properties

| | |
|--------------------------------|---|
| Product type | Device protection |
| Product family | SEC Family |
| IEC power supply system | TN-S |
| | TT |
| Type | DIN rail module, two-section, divisible |
| Number of positions | 4 |
| Surge protection fault message | Optical, remote indicator contact |

Insulation characteristics

| | |
|-------------------------|-----|
| Overvoltage category | III |
| Pollution degree | 2 |
| IEC test classification | III |
| | T3 |
| EN type | T3 |
| Number of ports | One |

Electrical properties

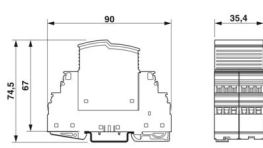
Indicator/remote signaling

| | |
|--------------------|--------------------------------|
| Connection name | Remote fault indicator contact |
| Switching function | N/C contact |
| Operating voltage | 250 V AC |
| | 125 V DC (200 mA DC) |
| Operating current | 3 A AC |
| | 1 A DC (30 V DC) |

Connection data

| | |
|----------------------------------|---|
| Connection method | Screw connection |
| Screw thread | M3 |
| Tightening torque | 0.8 Nm |
| Conductor cross-section flexible | 0.2 mm ² ... 2.5 mm ² |
| Conductor cross-section rigid | 0.2 mm ² ... 4 mm ² |
| Conductor cross-section AWG | 24 ... 12 |

Dimensions

| | |
|---------------------|--|
| Dimensional drawing |  |
| Width | 35.4 mm |

PLT-SEC-T3-3S-230-FM - Type 3 surge protection device



2905230

<https://www.phoenixcontact.com/au/products/2905230>

| | |
|------------------|---------------------------------|
| Height | 90 mm |
| Depth | 74.5 mm (incl. DIN rail 7.5 mm) |
| Horizontal pitch | 2 Div. |

Material specifications

| | |
|--|--------------------------------|
| Color (Male connector) | light gray (RAL 7035) |
| Color (Base element) | gray (RAL 7042) |
| Flammability rating according to UL 94 | V-0 |
| CTI value of material | 600 |
| Insulating material | PA 6.6-FR 20% GF PA 6.6-FR |
| Material group | I |
| Housing material | PA 6.6-FR 20 % GF PA 6.6-FR |

Protective circuit

| | |
|--|--|
| Mode of protection | L-N |
| | L-PE |
| | N-PE |
| Direction of action | 3L-N & N-PE |
| Nominal voltage U_N | 230/400 V AC (TN-S) |
| | 230/400 V AC (TT - only in use with RCD) |
| Nominal frequency f_N | 50 Hz (60 Hz) |
| Maximum continuous operating voltage U_C | 264 V AC |
| Rated load current I_L | 26 A (30 °C) |
| Protective conductor current I_{PE} | $\leq 5 \mu A$ |
| Standby power consumption P_C | $\leq 2 VA$ (at U_{REF}) |
| | $\leq 2.2 VA$ (at U_C) |
| Reference test voltage U_{REF} | 255 V AC |
| Nominal discharge current I_n (8/20) μs | 3 kA |
| Combination wave U_{OC} | 6 kV |
| Voltage protection level U_p (L-N) | $\leq 1.4 kV$ |
| Voltage protection level U_p (L-PE) | $\leq 1.5 kV$ |
| Voltage protection level U_p (N-PE) | $\leq 1.5 kV$ |
| TOV behavior at U_T (L-N) | 440 V AC (5 s / withstand mode) |
| | 440 V AC (120 min / withstand mode) |
| | 1455 V AC (200 ms / safe failure mode) |
| TOV behavior at U_T (L-PE) | 440 V AC (5 s / withstand mode) |
| | 440 V AC (120 min / withstand mode) |
| | 1455 V AC (200 ms / safe failure mode) |
| TOV behavior at U_T (N-PE) | 1200 V AC (200 ms / safe failure mode) |
| Response time t_A (L-N) | $\leq 25 ns$ |
| Response time t_A (L-PE) | $\leq 100 ns$ |
| Response time t_A (N-PE) | $\leq 100 ns$ |
| Short-circuit current rating I_{SCCR} | 1.5 kA AC |

PLT-SEC-T3-3S-230-FM - Type 3 surge protection device



2905230

<https://www.phoenixcontact.com/au/products/2905230>

| | |
|--|-------------------|
| Maximum backup fuse for through wiring | 25 A (gG / B / C) |
| Max. backup fuse with branch wiring | not required |

Environmental and real-life conditions

Ambient conditions

| | |
|---|--|
| Degree of protection | IP20 |
| Ambient temperature (operation) | -40 °C ... 70 °C |
| Ambient temperature (storage/transport) | -40 °C ... 70 °C |
| Altitude | ≤ 2000 m (amsl) |
| Permissible humidity (operation) | 5 % ... 95 % |
| Shock (operation) | 30g (Half-sine / 11 ms / 3x ±X, ±Y, ±Z) |
| Vibration (operation) | 5g (10 Hz ... 150 Hz / 20 cycles/axis / X, Y, Z) |

Standards and regulations

| | |
|--------------------------|--------------|
| Standards/specifications | IEC 61643-11 |
| Note | 2011 |

EN 61643-11

| | |
|--------------------------|-------------|
| Standards/specifications | EN 61643-11 |
| Note | 2012 |

Mounting

| | |
|---------------|-----------------|
| Mounting type | DIN rail: 35 mm |
|---------------|-----------------|

PLT-SEC-T3-3S-230-FM - Type 3 surge protection device

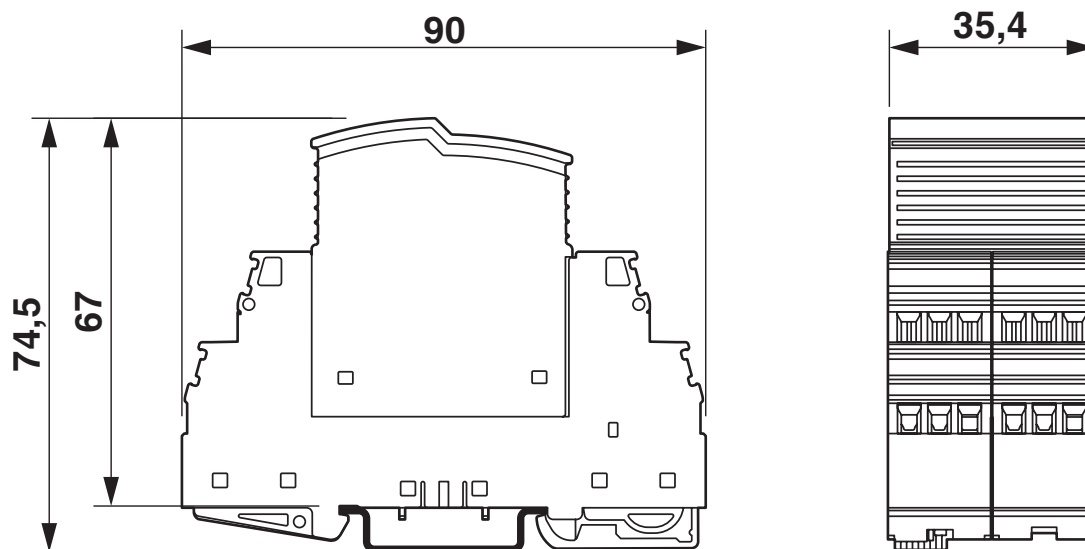


2905230

<https://www.phoenixcontact.com/au/products/2905230>

Drawings

Dimensional drawing



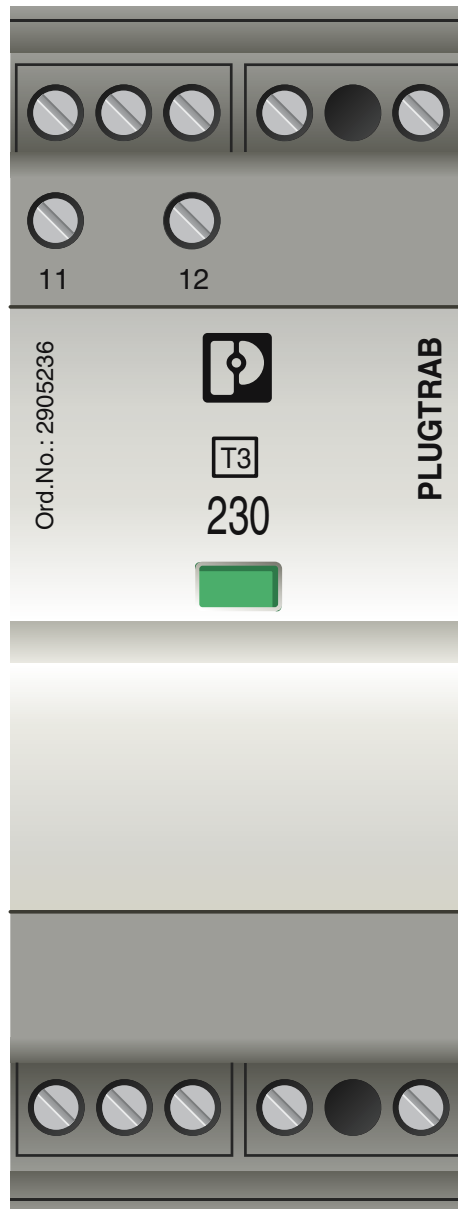
PLT-SEC-T3-3S-230-FM - Type 3 surge protection device



2905230

<https://www.phoenixcontact.com/au/products/2905230>

Product drawing



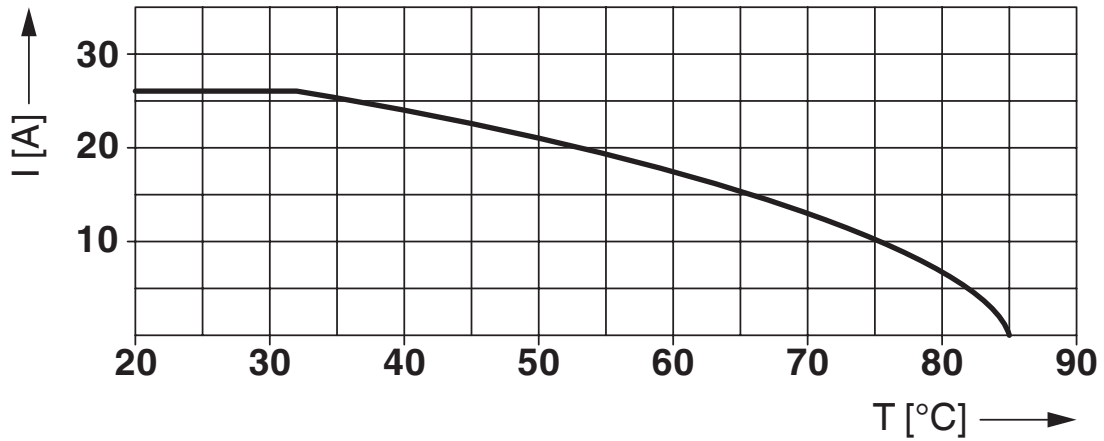
PLT-SEC-T3-3S-230-FM - Type 3 surge protection device



2905230

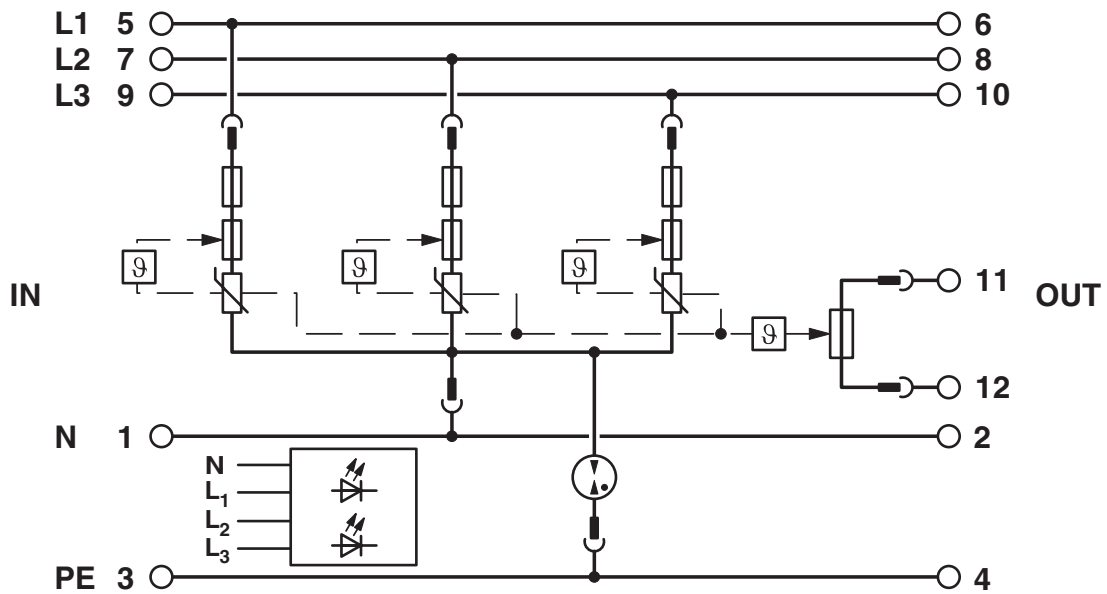
<https://www.phoenixcontact.com/au/products/2905230>

Diagram



Nominal current depending on ambient temperature

Circuit diagram



PLT-SEC-T3-3S-230-FM - Type 3 surge protection device



2905230

<https://www.phoenixcontact.com/au/products/2905230>

Approvals

🔗 To download certificates, visit the product detail page: <https://www.phoenixcontact.com/au/products/2905230>

UAE-RoHS

Approval ID: 23-10-88891

PLT-SEC-T3-3S-230-FM - Type 3 surge protection device



2905230

<https://www.phoenixcontact.com/au/products/2905230>

Classifications

ECLASS

| | |
|-------------|----------|
| ECLASS-13.0 | 27171203 |
| ECLASS-15.0 | 27171203 |

ETIM

| | |
|-----------|----------|
| ETIM 10.0 | EC000942 |
|-----------|----------|

UNSPSC

| | |
|-------------|----------|
| UNSPSC 21.0 | 39121600 |
|-------------|----------|

PLT-SEC-T3-3S-230-FM - Type 3 surge protection device



2905230

<https://www.phoenixcontact.com/au/products/2905230>

Environmental product compliance

EU RoHS

| | |
|---|--------------|
| Fulfills EU RoHS substance requirements | Yes |
| Exemption | 7(a), 7(c)-I |

China RoHS

| | |
|--|---|
| Environment friendly use period (EFUP) | EFUP-50 |
| | An article-related China RoHS declaration table can be found in the download area for the respective article under "Manufacturer declaration". For all articles with EFUP-E, no China RoHS declaration table issued and required. |

EU REACH SVHC

| | |
|-------------------------------------|---|
| REACH candidate substance (CAS No.) | Lead(CAS: 7439-92-1) |
| | 6,6'-di-tert-butyl-2,2'-methylenedi-p-cresol(CAS: 119-47-1) |
| SCIP | 738f5b0c-f978-4c3b-9656-9dc746b512c0 |

Phoenix Contact 2026 © - all rights reserved
<https://www.phoenixcontact.com>

PHOENIX CONTACT PTY Ltd
Unit 7, 2-8 South Street
Rydalmere NSW 2116
1300 786 411
customerservice@phoenixcontact.com.au