

UMK-BE 22,5 - Base element

2970028

<https://www.phoenixcontact.com/au/products/2970028>



Please be informed that the data shown in this PDF document is generated from our online catalog. Please find the complete data in the user documentation. Our general terms of use for downloads are valid.

Electronic board base, plug-in module base element



Commercial data

Item number	2970028
Packing unit	10 pc
Minimum order quantity	10 pc
Sales key	ACHDCA
Product key	ACHDCA
GTIN	4017918087555
Weight per piece (including packing)	9.4 g
Weight per piece (excluding packing)	9.39 g
Customs tariff number	84879090
Country of origin	PL

UMK-BE 22,5 - Base element

2970028

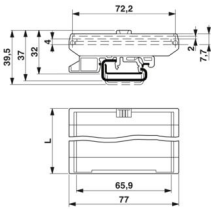
<https://www.phoenixcontact.com/au/products/2970028>

Technical data

Product properties

Product type	Component housing lower part
Housing type	Press-drawn section housings
Housing series	UMK
Product family	UMK BE
Type	Module width 22,5 mm, since the housing can remain open at the top, it is possible for parts to protrude above the actual profile height
Ventilation openings present	no

Dimensions

Dimensional drawing	
Depth	15.5 mm
Length	22.5 mm

External dimensions

Profile width (external)	77 mm
--------------------------	-------

Internal dimensions

Profile width (internal)	72.2 mm
--------------------------	---------

Material specifications

Color (Housing)	green (RAL 6021)
Material	PA
Flammability rating according to UL 94	V2

Environmental and real-life conditions

Ambient conditions

Ambient temperature (operation)	-40 °C ... 105 °C (depending on power dissipation)
Ambient temperature (storage/transport)	-40 °C ... 55 °C
Ambient temperature (assembly)	-5 °C ... 100 °C
Relative humidity (storage/transport)	80 %

UMK-BE 22,5 - Base element

2970028

<https://www.phoenixcontact.com/au/products/2970028>



Drawings



UMK-BE 22,5 - Base element

2970028

<https://www.phoenixcontact.com/au/products/2970028>



Approvals

To download certificates, visit the product detail page: <https://www.phoenixcontact.com/au/products/2970028>



UL Recognized

Approval ID: E240868

UMK-BE 22,5 - Base element



2970028

<https://www.phoenixcontact.com/au/products/2970028>

Classifications

ECLASS

ECLASS-13.0	27190601
ECLASS-15.0	27190601

ETIM

ETIM 10.0	EC002779
-----------	----------

UNSPSC

UNSPSC 21.0	31261500
-------------	----------

UMK-BE 22,5 - Base element



2970028

<https://www.phoenixcontact.com/au/products/2970028>

Environmental product compliance

EU RoHS

Fulfills EU RoHS substance requirements	Yes, No exemptions
-----------------------------------------	--------------------

China RoHS

Environment friendly use period (EFUP)	EFUP-E
	No hazardous substances above the limits

EU REACH SVHC

REACH candidate substance (CAS No.)	No substance above 0.1 wt%
-------------------------------------	----------------------------

EF3.1 Climate Change

CO2e kg	0.277 kg CO2e
---------	---------------

Phoenix Contact 2026 © - all rights reserved
<https://www.phoenixcontact.com>

PHOENIX CONTACT PTY Ltd.
Level 12 1PSQ, 169 Macquarie Street
Parramatta NSW 2150
1300 786 411
customerservice@phoenixcontact.com.au