

UMK-SE 11,25-1 - Lateral element



2970442

<https://www.phoenixcontact.com/au/products/2970442>

Please be informed that the data shown in this PDF document is generated from our online catalog. Please find the complete data in the user documentation. Our general terms of use for downloads are valid.

Side element, 11.25 mm wide, without marker groove



Commercial data

Item number	2970442
Packing unit	50 pc
Minimum order quantity	50 pc
Sales key	ACHDCA
Product key	ACHDCA
Catalog page	Page 760 (C-1-2013)
GTIN	4017918087722
Weight per piece (including packing)	5.497 g
Weight per piece (excluding packing)	5.497 g
Customs tariff number	85389099
Country of origin	PL

UMK-SE 11,25-1 - Lateral element

2970442

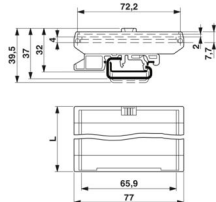
<https://www.phoenixcontact.com/au/products/2970442>

Technical data

Product properties

Product type	Panel mounting base side part
Housing type	Press-drawn section housings
Housing series	UMK
Product family	UMK SE
Type	Lateral element

Dimensions

Dimensional drawing	
Length	11.25 mm

External dimensions

Profile width (external)	77 mm
--------------------------	-------

Internal dimensions

Profile width (internal)	72.2 mm
--------------------------	---------

Material specifications

Color (Housing)	green (RAL 6021)
Flammability rating according to UL 94	V2
Housing material	PA

Environmental and real-life conditions

Ambient conditions

Ambient temperature (operation)	-40 °C ... 105 °C (depending on power dissipation)
---------------------------------	--

UMK-SE 11,25-1 - Lateral element

2970442

<https://www.phoenixcontact.com/au/products/2970442>

Drawings



UMK-SE 11,25-1 - Lateral element



2970442

<https://www.phoenixcontact.com/au/products/2970442>

Approvals

To download certificates, visit the product detail page: <https://www.phoenixcontact.com/au/products/2970442>



UL Recognized

Approval ID: E240868

UMK-SE 11,25-1 - Lateral element



2970442

<https://www.phoenixcontact.com/au/products/2970442>

Classifications

ECLASS

ECLASS-13.0

27190602

ETIM

ETIM 9.0

EC002779

UNSPSC

UNSPSC 21.0

31261500

UMK-SE 11,25-1 - Lateral element



2970442

<https://www.phoenixcontact.com/au/products/2970442>

Environmental product compliance

EU RoHS

Fulfills EU RoHS substance requirements	Yes, No exemptions
---	--------------------

China RoHS

Environment friendly use period (EFUP)	EFUP-E
	No hazardous substances above the limits

EU REACH SVHC

REACH candidate substance (CAS No.)	No substance above 0.1 wt%
-------------------------------------	----------------------------

Phoenix Contact 2025 © - all rights reserved
<https://www.phoenixcontact.com>

PHOENIX CONTACT PTY Ltd
Unit 7, 2-8 South Street
Rydalmere NSW 2116
1300 786 411
customerservice@phoenixcontact.com.au