

# HC-EVO-A10UT-BWSC-HH-M20-PLRBK - Connector set



1411357

<https://www.phoenixcontact.com/au/products/1411357>

Please be informed that the data shown in this PDF document is generated from our online catalog. Please find the complete data in the user documentation. Our general terms of use for downloads are valid.



Connector set, number of positions: 10, material: PA, connection method: Screw connection, connection cross section: AWG 20- 14

## Commercial data

Item number	1411357
Packing unit	1 pc
Minimum order quantity	1 pc
Sales key	AF7AFX
Product key	AF7AFX
Catalog page	Page 524 (C-2-2019)
GTIN	4046356929271
Weight per piece (including packing)	277.2 g
Weight per piece (excluding packing)	277.2 g
Customs tariff number	85366990
Country of origin	DE

# HC-EVO-A10UT-BWSC-HH-M20-PLRBK - Connector set



1411357

<https://www.phoenixcontact.com/au/products/1411357>

## Set consists of

### HC-EVO-D15-HHFS-PL-BK - Housing

1411340

<https://www.phoenixcontact.com/au/products/1411340>



Sleeve housing D15, for single locking latch, material: PA 6.6-FR, cable outlets: 1, straight/lateral, height: 65.5 mm, cable gland: none, Standard

---

### HC-EVO-D15-BWSC-PLR-BK - Housing

1411337

<https://www.phoenixcontact.com/au/products/1411337>



Panel mounting base D15, with single locking latch, material: PA 6.6-FR, protective cover material: PC, height: 26 mm, cable gland: none, protective cover: yes, Standard, with flat gasket

# HC-EVO-A10UT-BWSC-HH-M20-PLRBK - Connector set

1411357

<https://www.phoenixcontact.com/au/products/1411357>

## HC-D-G-M20-PLRBK - Cable gland

1411350

<https://www.phoenixcontact.com/au/products/1411350>



EVO plastic cable gland with bayonet locking, for housing series D, size M20, cable diameter: 7 mm ... 13 mm.

---

## HC-A10-I-UT-M - Contact insert

1585294

<https://www.phoenixcontact.com/au/products/1585294>



Contact insert, number of positions: 10+PE, size: D15, number of connections per position: 1, Pin, Screw connection, 250 V, 16 A, 0.5 mm<sup>2</sup> ... 2.5 mm<sup>2</sup>

# HC-EVO-A10UT-BWSC-HH-M20-PLRBK - Connector set



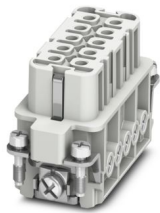
1411357

<https://www.phoenixcontact.com/au/products/1411357>

## HC-A10-I-UT-F - Contact insert

1585304

<https://www.phoenixcontact.com/au/products/1585304>



Contact insert, number of positions: 10+PE, size: D15, number of connections per position: 1, Socket, Screw connection, 250 V, 16 A, 0.5 mm<sup>2</sup> ... 2.5 mm<sup>2</sup>

# HC-EVO-A10UT-BWSC-HH-M20-PLRBK - Connector set



1411357

<https://www.phoenixcontact.com/au/products/1411357>

## Technical data

### Product properties

Product type	Connector set
Housing type	Complete housing
Series	HC-D
Type	D15
Number of positions	10
Connection profile	10+PE
No. of cable outlets	1
Protective cover	yes

### Insulation characteristics

Overvoltage category	III
Degree of pollution	3

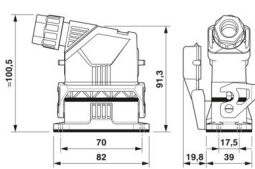
### Electrical properties

Rated voltage (III/3)	250 V
Rated surge voltage	4 kV
Rated current	20 A

### Connection data

Connection method	Screw connection
Connection technology	Screw connection
Conductor cross section	0.5 mm <sup>2</sup> ... 2.5 mm <sup>2</sup> (applies to stranded conductors with ferrules) 0.5 mm <sup>2</sup> ... 2.5 mm <sup>2</sup> (applies to stranded conductors with ferrules)
Connection cross section AWG	20 ... 14

### Dimensions

Dimensional drawing	
Width	39 mm
Height	100.5 mm
Length	82 mm
Drill hole distance, horizontal	70 mm
Drill hole distance, vertical	17.5 mm

### Installation dimensions

Width of the assembly cutout	24 mm
Length of the assembly cutout	58 mm

# HC-EVO-A10UT-BWSC-HH-M20-PLRBK - Connector set



1411357

<https://www.phoenixcontact.com/au/products/1411357>

## Material specifications

Material Protective cover	PA
Flammability rating according to UL 94	V0
Seal material	NBR
	CR
Housing material	PA
Contact material	Copper alloy
Contact surface material	Ag
Contact carrier material	PC
Locking latch material	PA

## Cable/line

External cable diameter	7 mm ... 13 mm
-------------------------	----------------

## Mechanical properties

### Mechanical data

Locking type	Latch
--------------	-------

## Environmental and real-life conditions

### Ambient conditions

Degree of protection	IP66
Enclosure rating (NEMA)	12 (UL 50e)
Ambient temperature (operation)	-40 °C ... 100 °C

## Mounting

Assembly note	Connectors may only be actuated when there is no load/voltage.
---------------	--

# HC-EVO-A10UT-BWSC-HH-M20-PLRBK - Connector set

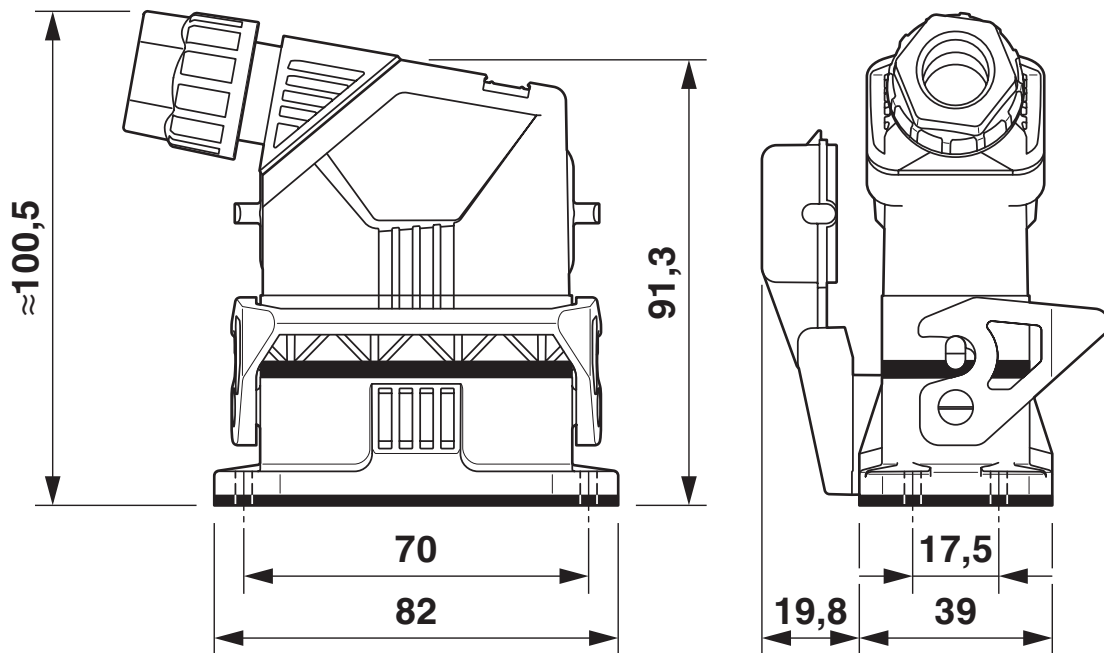


1411357

<https://www.phoenixcontact.com/au/products/1411357>

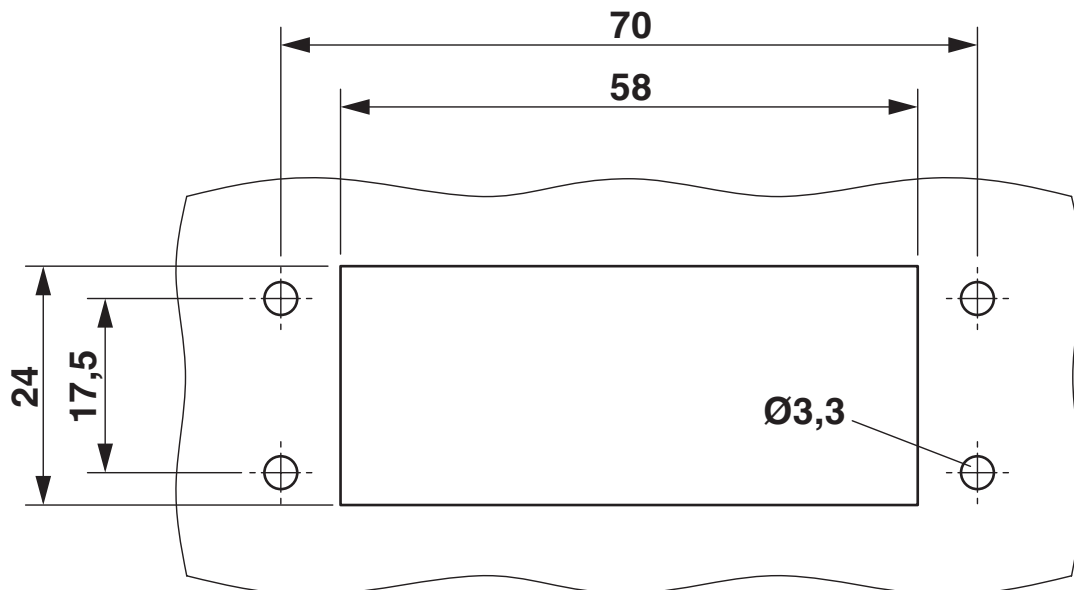
## Drawings

Dimensional drawing



Dimensional drawing

Dimensional drawing



Mounting cutout

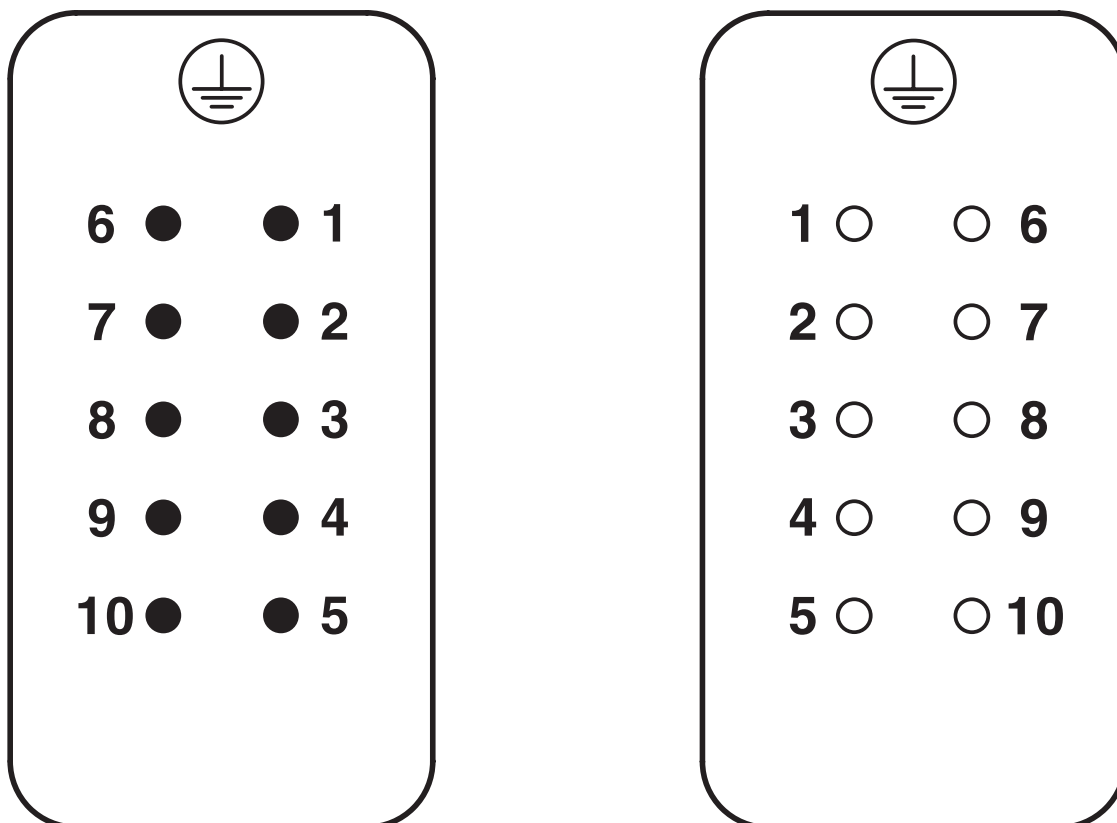
# HC-EVO-A10UT-BWSC-HH-M20-PLRBK - Connector set



1411357

<https://www.phoenixcontact.com/au/products/1411357>

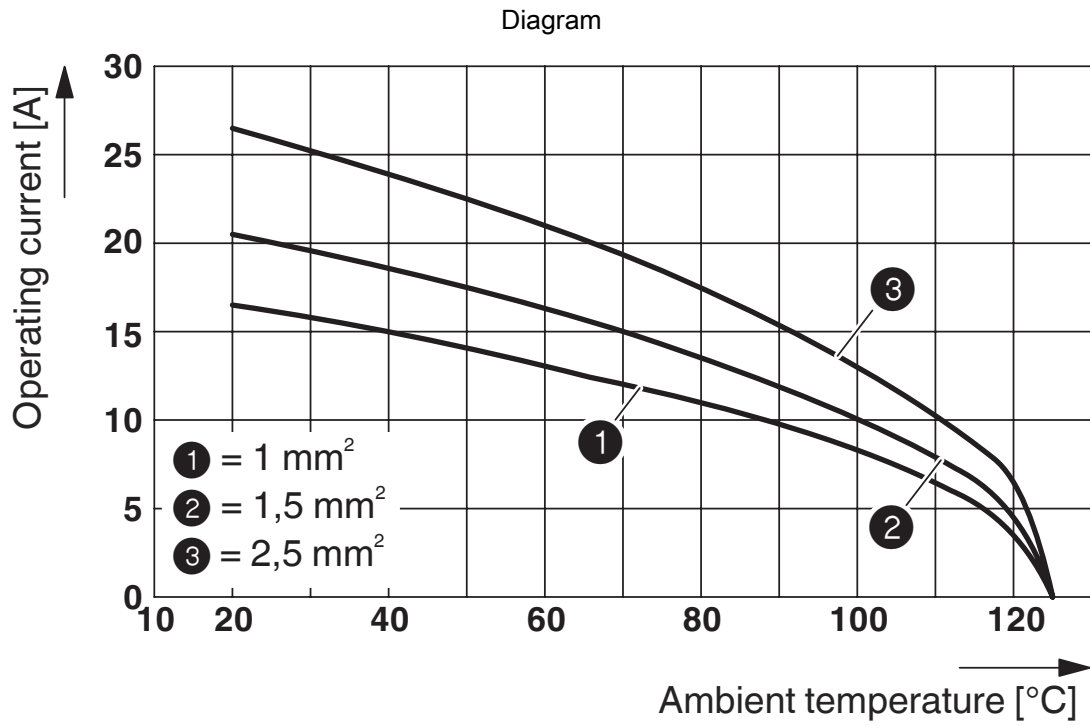
Schematic diagram



Pin assignment, connection side, pin left, socket right

1411357

<https://www.phoenixcontact.com/au/products/1411357>



Derating diagram

# HC-EVO-A10UT-BWSC-HH-M20-PLRBK - Connector set



1411357

<https://www.phoenixcontact.com/au/products/1411357>

## Approvals

🔗 To download certificates, visit the product detail page: <https://www.phoenixcontact.com/au/products/1411357>

**DNV**

Approval ID: TAE000037S



**EAC**

Approval ID: RU C-DE.AI30.B.01102

# HC-EVO-A10UT-BWSC-HH-M20-PLRBK - Connector set



1411357

<https://www.phoenixcontact.com/au/products/1411357>

## Classifications

### ECLASS

ECLASS-13.0

27440113

### ETIM

ETIM 9.0

EC002636

### UNSPSC

UNSPSC 21.0

39121400

# HC-EVO-A10UT-BWSC-HH-M20-PLRBK - Connector set



1411357

<https://www.phoenixcontact.com/au/products/1411357>

## Environmental product compliance

### EU RoHS

Fulfills EU RoHS substance requirements	Yes
Exemption	6(c)

### China RoHS

Environment friendly use period (EFUP)	EFUP-50
	An article-related China RoHS declaration table can be found in the download area for the respective article under "Manufacturer declaration". For all articles with EFUP-E, no China RoHS declaration table issued and required.

### EU REACH SVHC

REACH candidate substance (CAS No.)	Lead(CAS: 7439-92-1)
SCIP	4cd55cae-245c-4cf2-b0ed-1528c91a21ca

Phoenix Contact 2025 © - all rights reserved  
<https://www.phoenixcontact.com>

PHOENIX CONTACT PTY Ltd  
Unit 7, 2-8 South Street  
Rydalmere NSW 2116  
1300 786 411  
[customerservice@phoenixcontact.com.au](mailto:customerservice@phoenixcontact.com.au)