

HC-EVO-B06PT-BWSC-HL-M20ELC-AL - Connector set



1411487

<https://www.phoenixcontact.com/au/products/1411487>

Please be informed that the data shown in this PDF document is generated from our online catalog. Please find the complete data in the user documentation. Our general terms of use for downloads are valid.



EVO connector set, B6 series, metal housing, consisting of: sleeve housing 1411448, panel mounting base 1411319, EVO screw connection 1411439, pin contact insert 1407728, socket contact insert 1407727

Commercial data

Item number	1411487
Packing unit	1 pc
Minimum order quantity	1 pc
Sales key	AF7AFX
Product key	AF7AFX
Catalog page	Page 637 (C-2-2017)
GTIN	4046356932875
Weight per piece (including packing)	450 g
Weight per piece (excluding packing)	448.62 g
Customs tariff number	85366990
Country of origin	DE

HC-EVO-B06PT-BWSC-HL-M20ELC-AL - Connector set



1411487

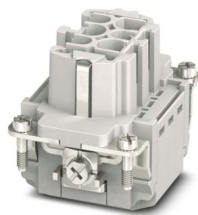
<https://www.phoenixcontact.com/au/products/1411487>

Set consists of

HC-B06-I-PT-F - Contact insert

1407727

<https://www.phoenixcontact.com/au/products/1407727>

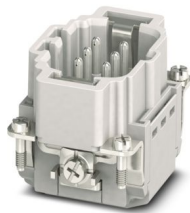


Contact insert, number of positions: 6+PE, size: B6, number of connections per position: 1, Socket, Push-in connection, 500 V, 16 A, 0.14 mm² ... 2.5 mm², application: Power

HC-B06-I-PT-M - Contact insert

1407728

<https://www.phoenixcontact.com/au/products/1407728>



Contact insert, number of positions: 6+PE, size: B6, number of connections per position: 1, Pin, Push-in connection, 500 V, 16 A, 0.14 mm² ... 2.5 mm², application: Power

HC-EVO-B06PT-BWSC-HL-M20ELC-AL - Connector set



1411487

<https://www.phoenixcontact.com/au/products/1411487>

HC-EVO-B06-HLFS-EL-AL - Housing

1411448

<https://www.phoenixcontact.com/au/products/1411448>



HEAVYCON EVO sleeve housing, EMC version, without powder coating, with bayonet flange for EVO screw connection, B6, for single locking latch, height: 64 mm, without EVO screw connection.

HC-STA-B06-BWSC-ELC-AL - Housing

1411319

<https://www.phoenixcontact.com/au/products/1411319>



Panel mounting base B6, with single locking latch, material: Die-cast aluminum, salt water resistant, protective cover material: PC, height: 30.5 mm, cable gland: none, protective cover: yes, Standard, with flat gasket

HC-EVO-B06PT-BWSC-HL-M20ELC-AL - Connector set



1411487

<https://www.phoenixcontact.com/au/products/1411487>

HC-B-G-M20-EC-AL - Cable gland

1411439

<https://www.phoenixcontact.com/au/products/1411439>



EVO EMC cable gland with bayonet locking, B series, size M20, cable diameter:
9 ... 13 mm

HC-EVO-B06PT-BWSC-HL-M20ELC-AL - Connector set



1411487

<https://www.phoenixcontact.com/au/products/1411487>

Technical data

Product properties

Product type	Connector set
Housing type	Complete housing
Series	HC-B
Type	B6
Number of positions	6
Connection profile	6+PE
No. of cable outlets	1
Seal present	yes
Protective cover	yes
Cable outlet	straight

Insulation characteristics

Overvoltage category	III
Degree of pollution	3

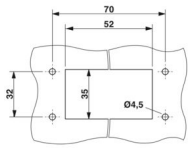
Electrical properties

Rated voltage (III/3)	500 V
Rated surge voltage	6 kV
Rated current	16 A

Connection data

Connection method	Push-in connection
Connection technology	Push-in connection
Conductor cross section	0.14 mm ² ... 2.5 mm ² (with ferrule) 0.14 mm ² ... 2.5 mm ² (with ferrule)
Connection cross section AWG	26 ... 14
Tightening torque	0.5 Nm ... 1.7 Nm (Fixing screws for panel mounting base)
Stripping length	8 mm ... 10 mm

Dimensions

Dimensional drawing	
Width	53 mm
Height	94.5 mm
Length	80.5 mm
Drill hole distance, horizontal	70 mm
Drill hole distance, vertical	32 mm

HC-EVO-B06PT-BWSC-HL-M20ELC-AL - Connector set



1411487

<https://www.phoenixcontact.com/au/products/1411487>

Installation dimensions

Width of the assembly cutout	35 mm
Length of the assembly cutout	52 mm

Material specifications

Material Housing	Die-cast aluminum, corrosion-resistant
Material Protective cover	PA
Flammability rating according to UL 94	V0
Seal material Profile gasket	NBR
Seal material Flat gasket	NBR
Contact material	Copper alloy
Contact surface material	Ag
Contact carrier material	PA
Locking latch material	PA

Cable/line

External cable diameter	9 mm ... 12 mm
-------------------------	----------------

Mechanical properties

Mechanical data

Locking type	Latch
Insertion/withdrawal cycles	≥ 500

Environmental and real-life conditions

Ambient conditions

Degree of protection	IP66 (with locked protective cover)
	IP67 (when plugged in)
	IP66
Enclosure rating (NEMA)	4 (UL 50e)
	4X (UL 50e)
	12 (UL 50e)
Impact strength	IK08
Ambient temperature (operation)	-40 °C ... 100 °C

Mounting

Mounting type	Screw mounting
Assembly note	Coding also using the CP-HC (1686478) coding profiles. HC-B6.. / HC-B10..for two coding profiles. HC-B16.. / HC-B24..for four coding profiles.
	Connectors may only be operated when there is no load/the power is switched off. Can be used for solid wires and stranded wires with ferrule.

HC-EVO-B06PT-BWSC-HL-M20ELC-AL - Connector set

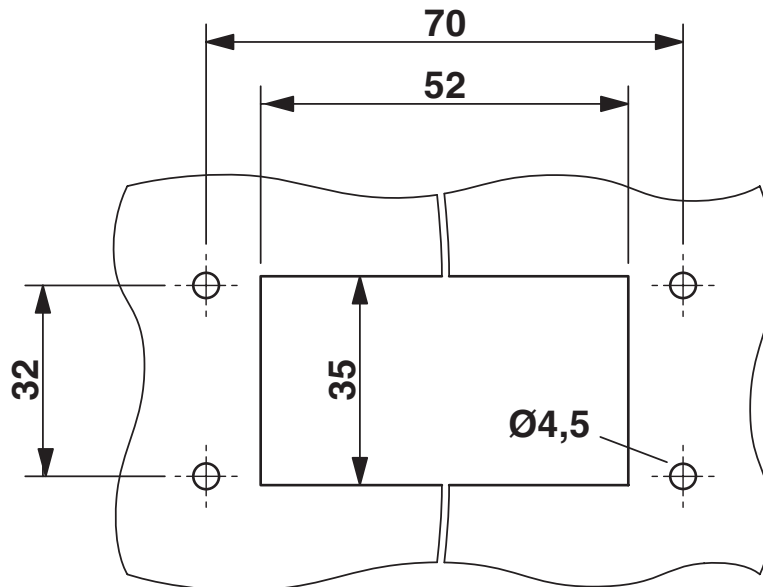


1411487

<https://www.phoenixcontact.com/au/products/1411487>

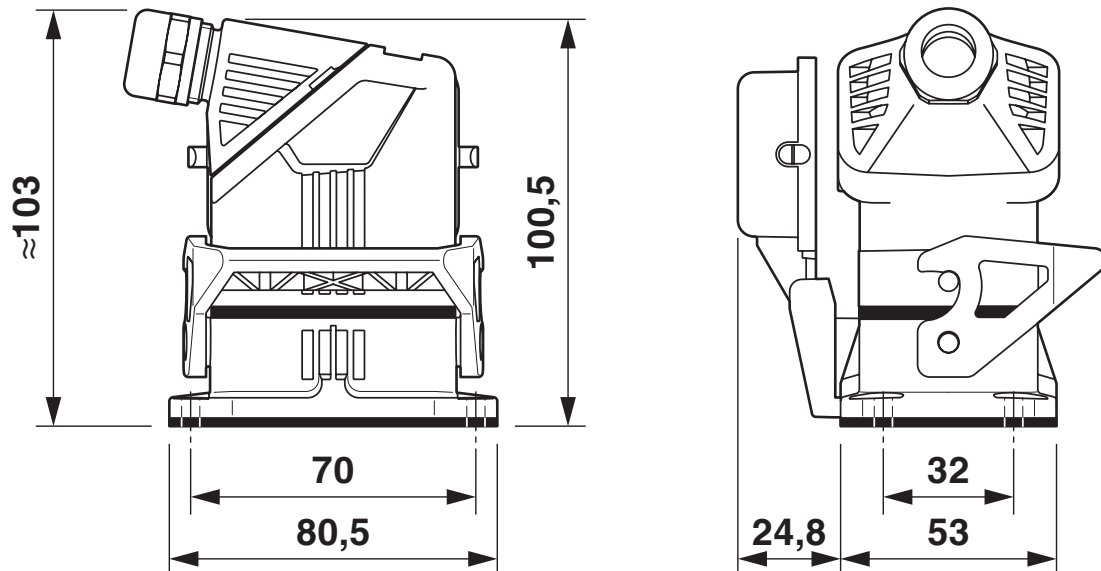
Drawings

Dimensional drawing



Mounting cutout

Dimensional drawing



Dimensional drawing

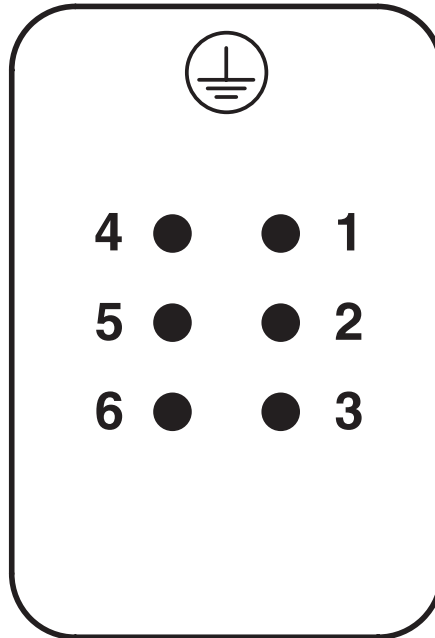
HC-EVO-B06PT-BWSC-HL-M20ELC-AL - Connector set



1411487

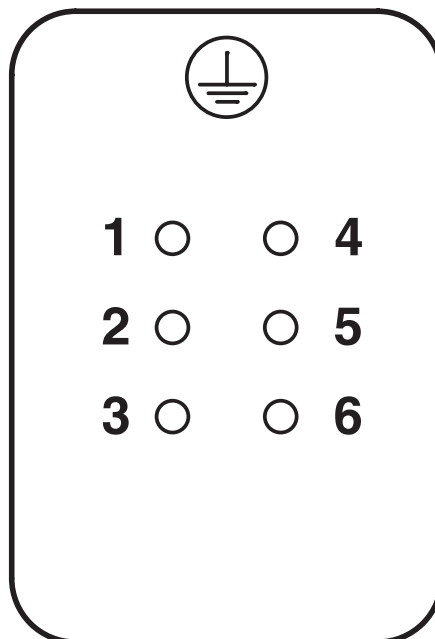
<https://www.phoenixcontact.com/au/products/1411487>

Schematic diagram



Pin assignment, connection side, pin

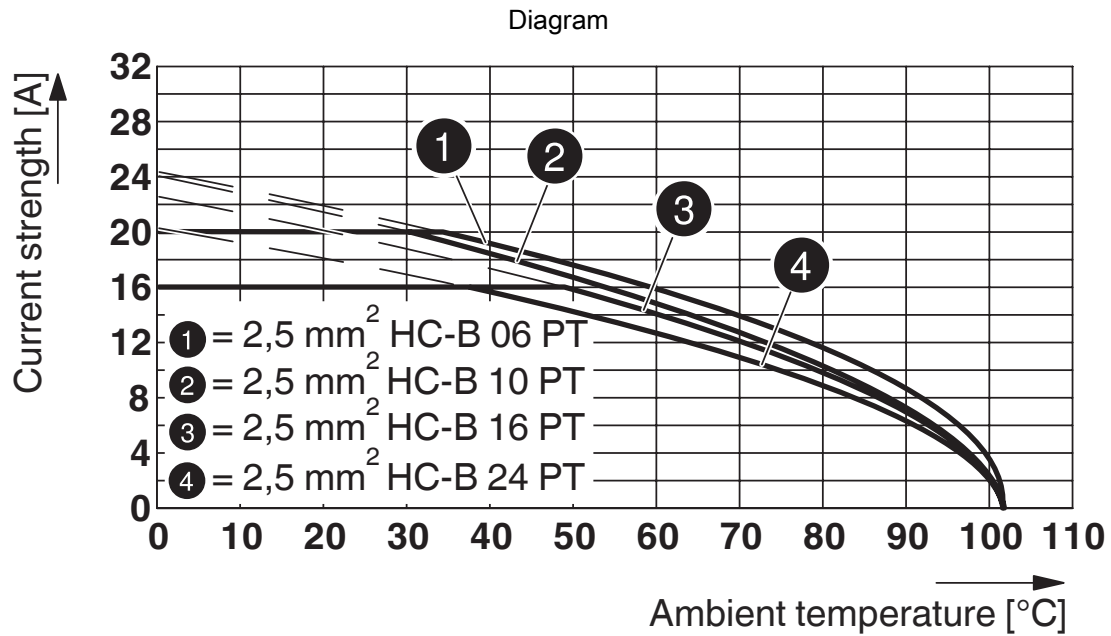
Schematic diagram



Pin assignment, connection side, socket

1411487

<https://www.phoenixcontact.com/au/products/1411487>



Derating diagram

HC-EVO-B06PT-BWSC-HL-M20ELC-AL - Connector set



1411487

<https://www.phoenixcontact.com/au/products/1411487>

Approvals

🔗 To download certificates, visit the product detail page: <https://www.phoenixcontact.com/au/products/1411487>

DNV

Approval ID: TAE000037S



EAC

Approval ID: RU C-DE.AI30.B.01102

HC-EVO-B06PT-BWSC-HL-M20ELC-AL - Connector set



1411487

<https://www.phoenixcontact.com/au/products/1411487>

Classifications

ECLASS

ECLASS-13.0

27440113

ETIM

ETIM 9.0

EC002636

UNSPSC

UNSPSC 21.0

39121400

HC-EVO-B06PT-BWSC-HL-M20ELC-AL - Connector set



1411487

<https://www.phoenixcontact.com/au/products/1411487>

Environmental product compliance

EU RoHS

Fulfills EU RoHS substance requirements	Yes
Exemption	6(c)

China RoHS

Environment friendly use period (EFUP)	EFUP-50
	An article-related China RoHS declaration table can be found in the download area for the respective article under "Manufacturer declaration". For all articles with EFUP-E, no China RoHS declaration table issued and required.

EU REACH SVHC

REACH candidate substance (CAS No.)	Lead(CAS: 7439-92-1)
SCIP	7b702e75-1db5-4ccd-af0a-83cf19277603

Phoenix Contact 2025 © - all rights reserved
<https://www.phoenixcontact.com>

PHOENIX CONTACT PTY Ltd
Unit 7, 2-8 South Street
Rydalmere NSW 2116
1300 786 411
customerservice@phoenixcontact.com.au