

HC-B06-HCWS-PLR-BK - Protective cover



1346525

<https://www.phoenixcontact.com/au/products/1346525>

Please be informed that the data shown in this PDF document is generated from our online catalog. Please find the complete data in the user documentation. Our general terms of use for downloads are valid.

Protective cover B6, with single locking latch, protective cover material: PC, height: 26.3 mm, seal: yes



Commercial data

| | |
|--------------------------------------|---------------|
| Item number | 1346525 |
| Packing unit | 1 pc |
| Minimum order quantity | 1 pc |
| Sales key | AF7AZC |
| Product key | AF7AZC |
| GTIN | 4063151659851 |
| Weight per piece (including packing) | 37.3 g |
| Weight per piece (excluding packing) | 37.3 g |
| Customs tariff number | 85389099 |
| Country of origin | CN |

HC-B06-HCWS-PLR-BK - Protective cover



1346525

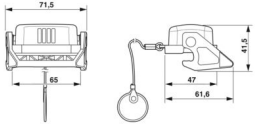
<https://www.phoenixcontact.com/au/products/1346525>

Technical data

Product properties

| | |
|------------------------|------------------|
| Product type | Protective cover |
| Housing type | Protective cover |
| Type | B6 |
| Retaining cord present | yes |
| Seal present | yes |

Dimensions

| | |
|---------------------|--|
| Dimensional drawing |  |
| Width | 47.4 mm |
| Height | 26.3 mm |
| Length | 71.5 mm |
| Diameter | 26 mm |

Material specifications

| | |
|--|-----|
| Material Protective cover | PC |
| Flammability rating according to UL 94 | V0 |
| Seal material | NBR |
| Material, protective cover | PC |

Environmental and real-life conditions

Ambient conditions

| | |
|---------------------------------|-------------------|
| Degree of protection | IP66 |
| Ambient temperature (operation) | -40 °C ... 125 °C |

Mounting

| | |
|---------------|--|
| Assembly note | Double eyelet for mounting on a cable / below screw head |
| | Plastic protective cover for short-term protection |

HC-B06-HCWS-PLR-BK - Protective cover

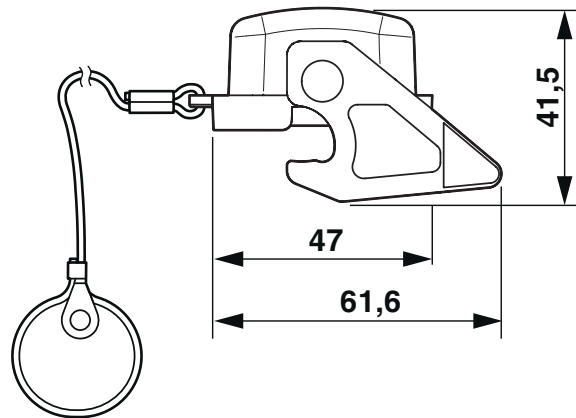
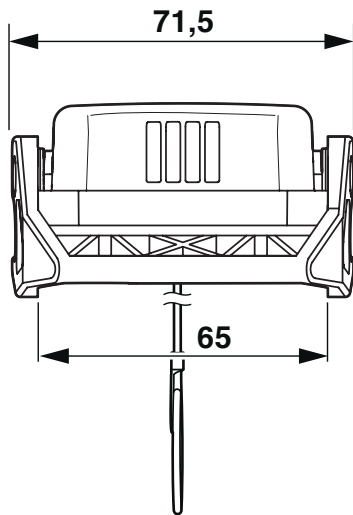


1346525

<https://www.phoenixcontact.com/au/products/1346525>

Drawings

Dimensional drawing



Dimensional drawing

HC-B06-HCWS-PLR-BK - Protective cover



1346525

<https://www.phoenixcontact.com/au/products/1346525>

Approvals

🔗 To download certificates, visit the product detail page: <https://www.phoenixcontact.com/au/products/1346525>

DNV

Approval ID: TAE000037S

HC-B06-HCWS-PLR-BK - Protective cover



1346525

<https://www.phoenixcontact.com/au/products/1346525>

Classifications

ECLASS

ECLASS-13.0

27440208

ETIM

ETIM 9.0

EC002314

UNSPSC

UNSPSC 21.0

39121400

HC-B06-HCWS-PLR-BK - Protective cover



1346525

<https://www.phoenixcontact.com/au/products/1346525>

Environmental product compliance

EU RoHS

| | |
|---|--------------------|
| Fulfills EU RoHS substance requirements | Yes, No exemptions |
|---|--------------------|

China RoHS

| | |
|--|--|
| Environment friendly use period (EFUP) | EFUP-E |
| | No hazardous substances above the limits |

EU REACH SVHC

| | |
|-------------------------------------|----------------------------|
| REACH candidate substance (CAS No.) | No substance above 0.1 wt% |
|-------------------------------------|----------------------------|

Phoenix Contact 2025 © - all rights reserved
<https://www.phoenixcontact.com>

PHOENIX CONTACT PTY Ltd
Unit 7, 2-8 South Street
Rydalmere NSW 2116
1300 786 411
customerservice@phoenixcontact.com.au