

# HC-B24-BCFD-P-BK - Protective cover



1346546

<https://www.phoenixcontact.com/au/products/1346546>

Please be informed that the data shown in this PDF document is generated from our online catalog. Please find the complete data in the user documentation. Our general terms of use for downloads are valid.



Protective cover B24, for double locking latch, protective cover material: PC, height: 26.3 mm, seal: no

## Commercial data

Item number	1346546
Packing unit	1 pc
Minimum order quantity	1 pc
Sales key	AF7AZC
Product key	AF7AZC
GTIN	4063151659868
Weight per piece (including packing)	29.5 g
Weight per piece (excluding packing)	30.2 g
Customs tariff number	85389099
Country of origin	CN

# HC-B24-BCFD-P-BK - Protective cover



1346546

<https://www.phoenixcontact.com/au/products/1346546>

## Technical data

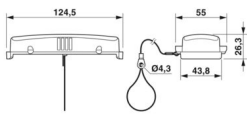
### Notes

General	Protective cover for supporting base element with double locking latch
---------	--

### Product properties

Product type	Protective cover
Housing type	Protective cover
Type	B24
Retaining cord present	yes
Seal present	no

### Dimensions

Dimensional drawing	
Width	55 mm
Height	26.3 mm
Length	124.5 mm
Diameter	26 mm

### Material specifications

Material Protective cover	PC
Flammability rating according to UL 94	V0
Material, protective cover	PC

### Environmental and real-life conditions

#### Ambient conditions

Degree of protection	IP66
Ambient temperature (operation)	-40 °C ... 125 °C
Resistance to UV radiation	yes

### Mounting

Assembly note	Double eyelet for mounting on a cable / below screw head Plastic protective cover for short-term protection
---------------	--

# HC-B24-BCFD-P-BK - Protective cover

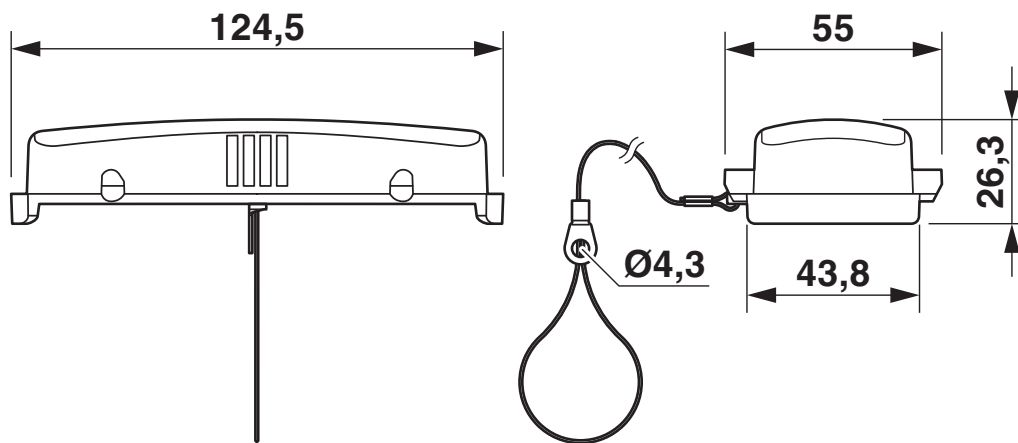


1346546

<https://www.phoenixcontact.com/au/products/1346546>

## Drawings

Dimensional drawing



Dimensional drawing

# HC-B24-BCFD-P-BK - Protective cover



1346546

<https://www.phoenixcontact.com/au/products/1346546>

## Approvals

🔗 To download certificates, visit the product detail page: <https://www.phoenixcontact.com/au/products/1346546>

**DNV**

Approval ID: TAE000037S

# HC-B24-BCFD-P-BK - Protective cover



1346546

<https://www.phoenixcontact.com/au/products/1346546>

## Classifications

### ECLASS

ECLASS-13.0

27440208

### ETIM

ETIM 9.0

EC002314

### UNSPSC

UNSPSC 21.0

39121400

# HC-B24-BCFD-P-BK - Protective cover



1346546

<https://www.phoenixcontact.com/au/products/1346546>

## Environmental product compliance

### EU RoHS

Fulfills EU RoHS substance requirements	Yes, No exemptions
---	--------------------

### China RoHS

Environment friendly use period (EFUP)	EFUP-E
	No hazardous substances above the limits

### EU REACH SVHC

REACH candidate substance (CAS No.)	No substance above 0.1 wt%
-------------------------------------	----------------------------

Phoenix Contact 2025 © - all rights reserved  
<https://www.phoenixcontact.com>

PHOENIX CONTACT PTY Ltd  
Unit 7, 2-8 South Street  
Rydalmere NSW 2116  
1300 786 411  
[customerservice@phoenixcontact.com.au](mailto:customerservice@phoenixcontact.com.au)