

HC-STA-D07-BCLFS-PLR-BK - Protective cover



1419270

<https://www.phoenixcontact.com/au/products/1419270>

Please be informed that the data shown in this PDF document is generated from our online catalog. Please find the complete data in the user documentation. Our general terms of use for downloads are valid.

Protective cover D7, for single locking latch, material: PA, protective cover material: PA, height: 29.4 mm, seal: yes, Standard, with lanyard, for socket inserts



Commercial data

| | |
|--------------------------------------|---------------------|
| Item number | 1419270 |
| Packing unit | 1 pc |
| Minimum order quantity | 1 pc |
| Sales key | AF7AZC |
| Product key | AF7AZC |
| Catalog page | Page 514 (C-2-2019) |
| GTIN | 4055626160214 |
| Weight per piece (including packing) | 8.9 g |
| Weight per piece (excluding packing) | 8.5 g |
| Customs tariff number | 85389099 |
| Country of origin | CN |

1419270

<https://www.phoenixcontact.com/au/products/1419270>

Technical data

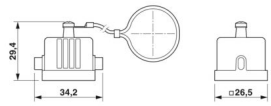
Notes

| | |
|---------|------------------------------------|
| General | For use on the panel mounting base |
|---------|------------------------------------|

Product properties

| | |
|------------------------|---|
| Product type | Protective cover |
| Housing type | Protective cover |
| Application | Standard |
| Type | D7 |
| Type | for supporting base element with single locking latch |
| Retaining cord present | yes |
| Seal present | yes |

Dimensions

| | |
|---------------------|--|
| Dimensional drawing |  |
| Width | 34.2 mm |
| Height | 29.4 mm |
| Length | 26.5 mm |
| Diameter | 25 mm |

Material specifications

| | |
|--|------------------------|
| Color | black (RAL 9005) |
| Material Protective cover | PA |
| Flammability rating according to UL 94 | V0 (Polyamide housing) |
| Seal material | NBR |
| Housing material | PA |
| Material, protective cover | PA |

Mechanical properties

Mechanical data

| | |
|--------------|-----|
| Locking type | Pin |
|--------------|-----|

Environmental and real-life conditions

Ambient conditions

| | |
|---------------------------------|-------------------|
| Degree of protection | IP66 |
| Ambient temperature (operation) | -20 °C ... 100 °C |

Mounting

| | |
|---------------|--|
| Assembly note | Plastic protective cover for short-term protection |
|---------------|--|

HC-STA-D07-BCLFS-PLR-BK - Protective cover

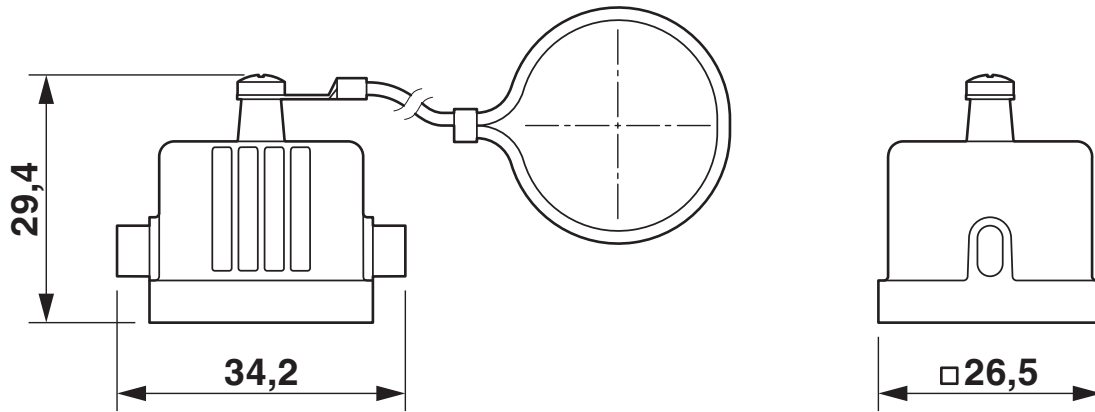


1419270

<https://www.phoenixcontact.com/au/products/1419270>

Drawings

Dimensional drawing



Dimensional drawing

HC-STA-D07-BCLFS-PLR-BK - Protective cover



1419270

<https://www.phoenixcontact.com/au/products/1419270>

Approvals

🔗 To download certificates, visit the product detail page: <https://www.phoenixcontact.com/au/products/1419270>

DNV

Approval ID: TAE000037S

1419270

<https://www.phoenixcontact.com/au/products/1419270>

Classifications

ECLASS

ECLASS-13.0

27440208

ETIM

ETIM 9.0

EC002314

UNSPSC

UNSPSC 21.0

39121400

1419270

<https://www.phoenixcontact.com/au/products/1419270>

Environmental product compliance

EU RoHS

| | |
|---|--------------------|
| Fulfills EU RoHS substance requirements | Yes, No exemptions |
|---|--------------------|

China RoHS

| | |
|--|--|
| Environment friendly use period (EFUP) | EFUP-E |
| | No hazardous substances above the limits |

EU REACH SVHC

| | |
|-------------------------------------|----------------------------|
| REACH candidate substance (CAS No.) | No substance above 0.1 wt% |
|-------------------------------------|----------------------------|

Phoenix Contact 2025 © - all rights reserved
<https://www.phoenixcontact.com>

PHOENIX CONTACT PTY Ltd
Unit 7, 2-8 South Street
Rydalmere NSW 2116
1300 786 411
customerservice@phoenixcontact.com.au