

HC-M-00 - Dummy module



1414353

<https://www.phoenixcontact.com/au/products/1414353>

Please be informed that the data shown in this PDF document is generated from our online catalog. Please find the complete data in the user documentation. Our general terms of use for downloads are valid.

HEAVYCON dummy module, for unused slots in the module carrier frame



Commercial data

Item number	1414353
Packing unit	5 pc
Minimum order quantity	5 pc
Sales key	AF7ACE
Product key	AF7ACE
Catalog page	Page 594 (C-2-2019)
GTIN	4055626024660
Weight per piece (including packing)	4.58 g
Weight per piece (excluding packing)	4 g
Customs tariff number	39269097
Country of origin	PL

HC-M-00 - Dummy module

1414353

<https://www.phoenixcontact.com/au/products/1414353>

Technical data

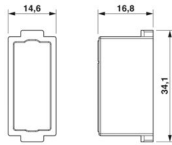
Notes

General	Connectors may be operated only when there is no load/voltage.
---------	--

Product properties

Product type	Dummy module
Series	HC-M-00
Application	Dummy module
Number of module slots	1

Dimensions

Dimensional drawing	
Width	34.2 mm
Height	16.8 mm
Length	14.6 mm

Material specifications

Material	PC
Flammability rating according to UL 94	V0
Contact carrier material	PC

Environmental and real-life conditions

Ambient conditions

Ambient temperature (operation)	-40 °C ... 125 °C
---------------------------------	-------------------

HC-M-00 - Dummy module

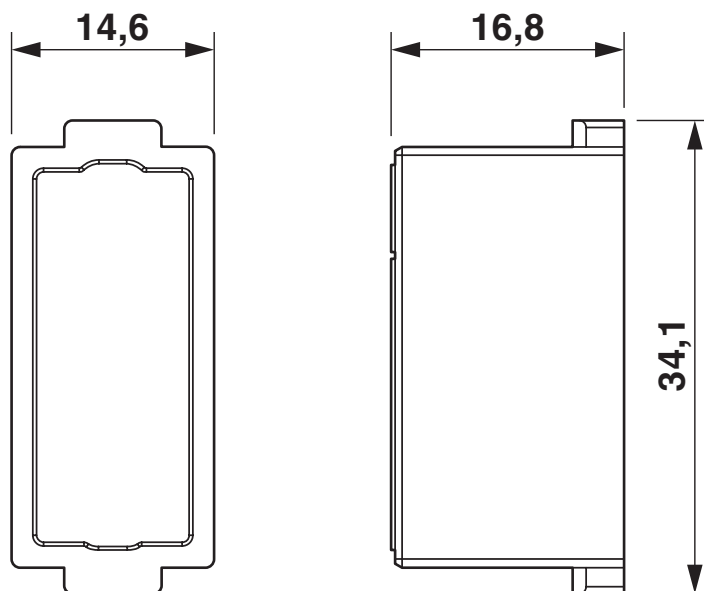
1414353

<https://www.phoenixcontact.com/au/products/1414353>



Drawings

Dimensional drawing



HC-M-00

HC-M-00 - Dummy module



1414353

<https://www.phoenixcontact.com/au/products/1414353>

Approvals

To download certificates, visit the product detail page: <https://www.phoenixcontact.com/au/products/1414353>



CSA

Approval ID: 13631



UL Recognized

Approval ID: E118976

HC-M-00 - Dummy module



1414353

<https://www.phoenixcontact.com/au/products/1414353>

Classifications

ECLASS

ECLASS-13.0

27440192

ETIM

ETIM 9.0

EC002943

UNSPSC

UNSPSC 21.0

39121400

HC-M-00 - Dummy module

1414353

<https://www.phoenixcontact.com/au/products/1414353>



Environmental product compliance

EU RoHS

Fulfills EU RoHS substance requirements	Yes, No exemptions
---	--------------------

China RoHS

Environment friendly use period (EFUP)	EFUP-E
	No hazardous substances above the limits

EU REACH SVHC

REACH candidate substance (CAS No.)	No substance above 0.1 wt%
-------------------------------------	----------------------------

EF3.0 Climate Change

CO2e kg	0.025 kg CO2e
---------	---------------

Phoenix Contact 2025 © - all rights reserved
<https://www.phoenixcontact.com>

PHOENIX CONTACT PTY Ltd
Unit 7, 2-8 South Street
Rydalmere NSW 2116
1300 786 411
customerservice@phoenixcontact.com.au