

CK4,0-ED-6,00ST AG - Crimp contact



1663268

<https://www.phoenixcontact.com/au/products/1663268>

Please be informed that the data shown in this PDF document is generated from our online catalog. Please find the complete data in the user documentation. Our general terms of use for downloads are valid.



Crimp contact, contact diameter: 4 mm, turned, Pin, contact material: Copper alloy, contact surface: silver-plated, connection cross section: 6 mm² ... 6 mm², AWG 10 ... 10

Commercial data

Item number	1663268
Packing unit	25 pc
Minimum order quantity	25 pc
Sales key	AF7AIE
Product key	AF7AIE
Catalog page	Page 511 (C-2-2019)
GTIN	4017918123079
Weight per piece (including packing)	3.104 g
Weight per piece (excluding packing)	3.1 g
Customs tariff number	85366990
Country of origin	DE

CK4,0-ED-6,00ST AG - Crimp contact



1663268

<https://www.phoenixcontact.com/au/products/1663268>

Technical data

Notes

General	for HC-M-02, HC-M-03, HC-M-03/04, HC-M-04, HC-Q02, HC-Q03, HC-Q04, and HC-COM-Q4/2 contact carriers
---------	---

Mounting

Assembly note	The quality of a crimp connection is determined by DIN EN 60352-2.
---------------	--

Product properties

Product type	Crimp contact
Series	HC-M-03
	HC-M-03/04
	HC-M-04
	HC-K
	HC-M-02
	HC-HS
	HC-COM
Type	Individual male contact
Contact material type	turned

Connection data

Connection method	Crimp connection
Contact connection type	Pin
Connection technology	Crimp connection
Conductor cross section	6 mm ² ... 6 mm ²
Connection cross section AWG	10 ... 10
Stripping length of the individual wire	10 mm
Conductor cross section flexible	6 mm ² ... 6 mm ²
Conductor cross section AWG	10 ... 10

Material specifications

Contact material	Copper alloy
Contact surface material	silver-plated

Dimensions

Mechanical characteristics

Contact diameter	4 mm
------------------	------

Mechanical properties

Mechanical data

Insertion/withdrawal cycles	≥ 500
-----------------------------	-------

CK4,0-ED-6,00ST AG - Crimp contact



1663268

<https://www.phoenixcontact.com/au/products/1663268>

Environmental and real-life conditions

Ambient conditions

Ambient temperature (operation)

-40 °C ... 125 °C

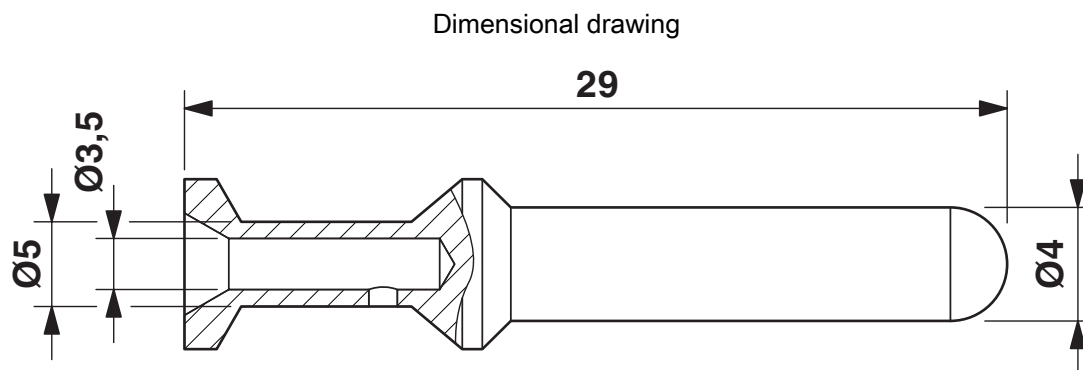
CK4,0-ED-6,00ST AG - Crimp contact



1663268

<https://www.phoenixcontact.com/au/products/1663268>

Drawings



Dimensional drawing

CK4,0-ED-6,00ST AG - Crimp contact



1663268

<https://www.phoenixcontact.com/au/products/1663268>

Approvals

To download certificates, visit the product detail page: <https://www.phoenixcontact.com/au/products/1663268>



EAC

Approval ID: RU C-DE.AI30.B.01102



EAC

Approval ID: EAC-Zulassung

CK4,0-ED-6,00ST AG - Crimp contact



1663268

<https://www.phoenixcontact.com/au/products/1663268>

Classifications

ECLASS

ECLASS-13.0

27440204

ETIM

ETIM 9.0

EC000796

UNSPSC

UNSPSC 21.0

39121500

CK4,0-ED-6,00ST AG - Crimp contact



1663268

<https://www.phoenixcontact.com/au/products/1663268>

Environmental product compliance

EU RoHS

Fulfills EU RoHS substance requirements	Yes, No exemptions
---	--------------------

China RoHS

Environment friendly use period (EFUP)	EFUP-E
	No hazardous substances above the limits

EU REACH SVHC

REACH candidate substance (CAS No.)	No substance above 0.1 wt%
-------------------------------------	----------------------------

EF3.0 Climate Change

CO2e kg	0.049 kg CO2e
---------	---------------

Phoenix Contact 2025 © - all rights reserved
<https://www.phoenixcontact.com>

PHOENIX CONTACT PTY Ltd
Unit 7, 2-8 South Street
Rydalmere NSW 2116
1300 786 411
customerservice@phoenixcontact.com.au