

# CK4,0-ED-6,00BU AG - Crimp contact



1663307

<https://www.phoenixcontact.com/au/products/1663307>

Please be informed that the data shown in this PDF document is generated from our online catalog. Please find the complete data in the user documentation. Our general terms of use for downloads are valid.



Crimp contact, contact diameter: 4 mm, turned, Socket, contact material: Copper alloy, contact surface: silver-plated, connection cross section: 6 mm<sup>2</sup> ... 6 mm<sup>2</sup>, AWG 10

## Commercial data

Item number	1663307
Packing unit	25 pc
Minimum order quantity	25 pc
Sales key	AF7AIE
Product key	AF7AIE
Catalog page	Page 511 (C-2-2019)
GTIN	4017918123116
Weight per piece (including packing)	2.544 g
Weight per piece (excluding packing)	2 g
Customs tariff number	85366990
Country of origin	DE

# CK4,0-ED-6,00BU AG - Crimp contact



1663307

<https://www.phoenixcontact.com/au/products/1663307>

## Technical data

### Notes

General	for HC-M-02, HC-M-03, HC-M-03/04, HC-M-04, HC-Q02, HC-Q03, HC-Q04, and HC-COM-Q4/2 contact carriers
---------	-----------------------------------------------------------------------------------------------------

### Mounting

Assembly note	The quality of a crimp connection is determined by DIN EN 60352-2.
---------------	--------------------------------------------------------------------

### Product properties

Product type	Crimp contact
Series	HC-M-03
	HC-M-03/04
	HC-M-04
	HC-K
	HC-M-02
	HC-HS
	HC-COM
Type	Individual female contact
Contact material type	turned

### Connection data

Connection method	Crimp connection
Contact connection type	Socket
Connection technology	Crimp connection
Conductor cross section	6 mm <sup>2</sup> ... 6 mm <sup>2</sup>
Connection cross section AWG	10
Stripping length of the individual wire	10 mm
Conductor cross section flexible	6 mm <sup>2</sup> ... 6 mm <sup>2</sup>

### Material specifications

Contact material	Copper alloy
Contact surface material	silver-plated

### Dimensions

#### Mechanical characteristics

Contact diameter	4 mm
------------------	------

### Mechanical properties

#### Mechanical data

Insertion/withdrawal cycles	≥ 500
-----------------------------	-------

### Environmental and real-life conditions

# CK4,0-ED-6,00BU AG - Crimp contact



1663307

<https://www.phoenixcontact.com/au/products/1663307>

## Ambient conditions

Ambient temperature (operation)

-40 °C ... 125 °C

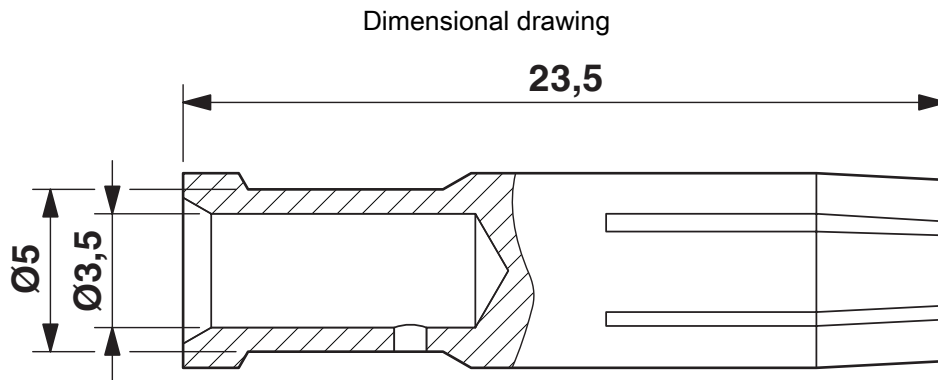
# CK4,0-ED-6,00BU AG - Crimp contact



1663307

<https://www.phoenixcontact.com/au/products/1663307>

## Drawings



Dimensional drawing

# CK4,0-ED-6,00BU AG - Crimp contact



1663307

<https://www.phoenixcontact.com/au/products/1663307>

## Approvals

To download certificates, visit the product detail page: <https://www.phoenixcontact.com/au/products/1663307>



**EAC**

Approval ID: RU C-DE.AI30.B.01102



**EAC**

Approval ID: EAC-Zulassung

# CK4,0-ED-6,00BU AG - Crimp contact



1663307

<https://www.phoenixcontact.com/au/products/1663307>

## Classifications

### ECLASS

ECLASS-13.0

27440204

### ETIM

ETIM 9.0

EC000796

### UNSPSC

UNSPSC 21.0

39121500

# CK4,0-ED-6,00BU AG - Crimp contact



1663307

<https://www.phoenixcontact.com/au/products/1663307>

## Environmental product compliance

### EU RoHS

Fulfills EU RoHS substance requirements	Yes, No exemptions
-----------------------------------------	--------------------

### China RoHS

Environment friendly use period (EFUP)	EFUP-E
	No hazardous substances above the limits

### EU REACH SVHC

REACH candidate substance (CAS No.)	No substance above 0.1 wt%
-------------------------------------	----------------------------

### EF3.0 Climate Change

CO2e kg	0.055 kg CO2e
---------	---------------

Phoenix Contact 2025 © - all rights reserved  
<https://www.phoenixcontact.com>

PHOENIX CONTACT PTY Ltd  
Unit 7, 2-8 South Street  
Rydalmere NSW 2116  
1300 786 411  
[customerservice@phoenixcontact.com.au](mailto:customerservice@phoenixcontact.com.au)