

# CK1,6-ED-0,50BU AG - Crimp contact



1663404

<https://www.phoenixcontact.com/au/products/1663404>

Please be informed that the data shown in this PDF document is generated from our online catalog. Please find the complete data in the user documentation. Our general terms of use for downloads are valid.



Crimp contact, contact diameter: 1.6 mm, turned, Socket, contact material: Copper alloy, contact surface: silver-plated, connection cross section: 0.5 mm<sup>2</sup> ... 0.5 mm<sup>2</sup>, AWG 20

## Commercial data

Item number	1663404
Packing unit	100 pc
Minimum order quantity	100 pc
Sales key	AF7AIA
Product key	AF7AIA
Catalog page	Page 507 (C-2-2019)
GTIN	4017918123215
Weight per piece (including packing)	0.733 g
Weight per piece (excluding packing)	0.692 g
Customs tariff number	85366990
Country of origin	DE

# CK1,6-ED-0,50BU AG - Crimp contact



1663404

<https://www.phoenixcontact.com/au/products/1663404>

## Technical data

### Notes

General	for HC-M-12, HC-M-17, HC-M-03/04, HC-M-EMV, HC-D, HC-DD, HC-Q, and VC-D contact carriers
---------	--

### Mounting

Assembly note	At voltages of < 5 V and currents < 5 mA, gold-plated contacts are recommended. The quality of a crimp connection is determined by DIN EN 60352-2.
---------------	---

### Product properties

Product type	Crimp contact
Series	HC-M-12 HC-M-EMV HC-D HC-DD VC-D HC-M-03/04 HC-M-17 HC-K HC-Q HC-COM HC-M-42 HC-M-08-MBIT
Type	Individual female contact
Contact material type	turned

### Connection data

Connection method	Crimp connection
Contact connection type	Socket
Connection technology	Crimp connection
Conductor cross section	0.5 mm <sup>2</sup> ... 0.5 mm <sup>2</sup>
Connection cross section AWG	20
Stripping length of the individual wire	8 mm
Conductor cross section flexible	0.5 mm <sup>2</sup> ... 0.5 mm <sup>2</sup>

### Material specifications

Contact material	Copper alloy
Contact surface material	silver-plated

### Dimensions

#### Mechanical characteristics

# CK1,6-ED-0,50BU AG - Crimp contact



1663404

<https://www.phoenixcontact.com/au/products/1663404>

Contact diameter	1.6 mm
------------------	--------

## Mechanical properties

### Mechanical data

Insertion/withdrawal cycles	≥ 500
-----------------------------	-------

## Environmental and real-life conditions

### Ambient conditions

Ambient temperature (operation)	-40 °C ... 125 °C
---------------------------------	-------------------

# CK1,6-ED-0,50BU AG - Crimp contact

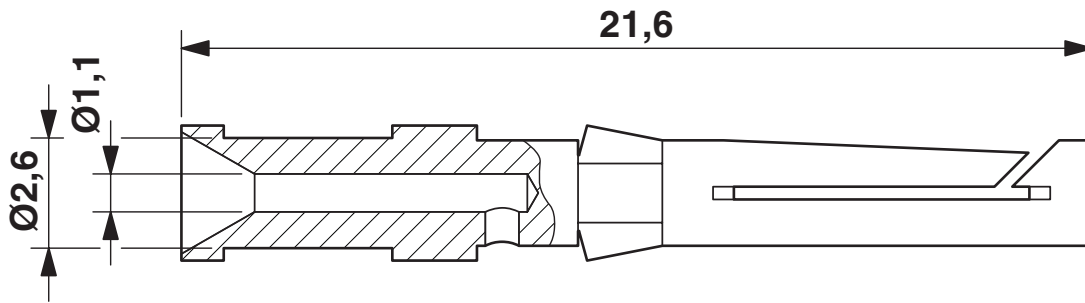


1663404

<https://www.phoenixcontact.com/au/products/1663404>

## Drawings

Dimensional drawing



Dimensional drawing

# CK1,6-ED-0,50BU AG - Crimp contact



1663404

<https://www.phoenixcontact.com/au/products/1663404>

## Approvals

🔗 To download certificates, visit the product detail page: <https://www.phoenixcontact.com/au/products/1663404>



**EAC**

Approval ID: RU C-DE.AI30.B.01102



**EAC**

Approval ID: EAC-Zulassung

# CK1,6-ED-0,50BU AG - Crimp contact



1663404

<https://www.phoenixcontact.com/au/products/1663404>

## Classifications

### ECLASS

ECLASS-13.0

27440204

### ETIM

ETIM 9.0

EC000796

### UNSPSC

UNSPSC 21.0

39121500

# CK1,6-ED-0,50BU AG - Crimp contact



1663404

<https://www.phoenixcontact.com/au/products/1663404>

## Environmental product compliance

### EU RoHS

Fulfills EU RoHS substance requirements	Yes, No exemptions
---	--------------------

### China RoHS

Environment friendly use period (EFUP)	EFUP-50
	An article-related China RoHS declaration table can be found in the download area for the respective article under "Manufacturer declaration". For all articles with EFUP-E, no China RoHS declaration table issued and required.

### EU REACH SVHC

REACH candidate substance (CAS No.)	No substance above 0.1 wt%
-------------------------------------	----------------------------

### EF3.0 Climate Change

CO2e kg	0.035 kg CO2e
---------	---------------

Phoenix Contact 2025 © - all rights reserved  
<https://www.phoenixcontact.com>

PHOENIX CONTACT PTY Ltd  
Unit 7, 2-8 South Street  
Rydalmere NSW 2116  
1300 786 411  
[customerservice@phoenixcontact.com.au](mailto:customerservice@phoenixcontact.com.au)