

CK1,6-ED-1,00BU AG - Crimp contact



1663420

<https://www.phoenixcontact.com/au/products/1663420>

Please be informed that the data shown in this PDF document is generated from our online catalog. Please find the complete data in the user documentation. Our general terms of use for downloads are valid.



Crimp contact, contact diameter: 1.6 mm, turned, Socket, contact material: Copper alloy, contact surface: silver-plated, connection cross section: 1 mm² ... 1 mm², AWG 18

Commercial data

Item number	1663420
Packing unit	100 pc
Minimum order quantity	100 pc
Sales key	AF7AIA
Product key	AF7AIA
Catalog page	Page 507 (C-2-2019)
GTIN	4017918123239
Weight per piece (including packing)	0.68 g
Weight per piece (excluding packing)	0.66 g
Customs tariff number	85366990
Country of origin	DE

CK1,6-ED-1,00BU AG - Crimp contact



1663420

<https://www.phoenixcontact.com/au/products/1663420>

Technical data

Notes

General	for HC-M-12, HC-M-17, HC-M-03/04, HC-M-EMV, HC-D, HC-DD, HC-Q, and VC-D contact carriers
---------	--

Mounting

Assembly note	At voltages of < 5 V and currents < 5 mA, gold-plated contacts are recommended.
	The quality of a crimp connection is determined by DIN EN 60352-2.

Product properties

Product type	Crimp contact
Series	HC-M-12
	HC-M-EMV
	HC-D
	HC-DD
	VC-D
	HC-M-03/04
	HC-M-17
	HC-K
	HC-Q
	HC-COM
	HC-M-42
HC-M-08-MBIT	
Type	Individual female contact
Contact material type	turned

Connection data

Connection method	Crimp connection
Contact connection type	Socket
Connection technology	Crimp connection
Conductor cross section	1 mm ² ... 1 mm ²
Connection cross section AWG	18
Stripping length of the individual wire	8 mm
Conductor cross section flexible	0.75 mm ² ... 1 mm ²

Material specifications

Contact material	Copper alloy
Contact surface material	silver-plated

Dimensions

Mechanical characteristics

CK1,6-ED-1,00BU AG - Crimp contact



1663420

<https://www.phoenixcontact.com/au/products/1663420>

Contact diameter	1.6 mm
------------------	--------

Mechanical properties

Mechanical data

Insertion/withdrawal cycles	≥ 500
-----------------------------	-------

Environmental and real-life conditions

Ambient conditions

Ambient temperature (operation)	-40 °C ... 125 °C
---------------------------------	-------------------

CK1,6-ED-1,00BU AG - Crimp contact

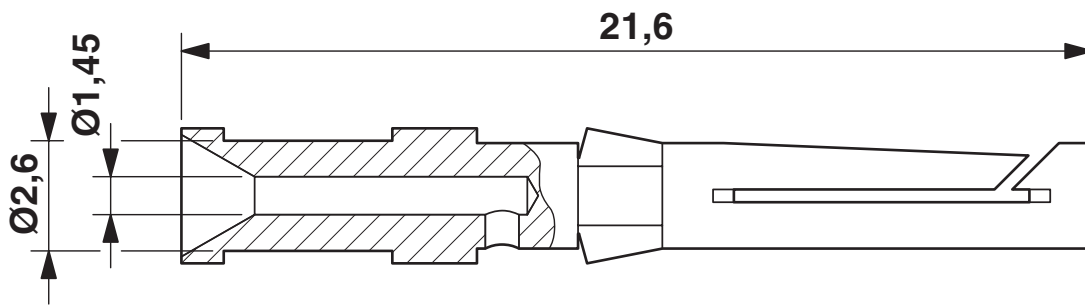
1663420

<https://www.phoenixcontact.com/au/products/1663420>



Drawings

Dimensional drawing



Dimensional drawing

CK1,6-ED-1,00BU AG - Crimp contact



1663420

<https://www.phoenixcontact.com/au/products/1663420>

Approvals

🔗 To download certificates, visit the product detail page: <https://www.phoenixcontact.com/au/products/1663420>



EAC

Approval ID: RU C-DE.AI30.B.01102



EAC

Approval ID: EAC-Zulassung

CK1,6-ED-1,00BU AG - Crimp contact



1663420

<https://www.phoenixcontact.com/au/products/1663420>

Classifications

ECLASS

ECLASS-13.0

27440204

ETIM

ETIM 9.0

EC000796

UNSPSC

UNSPSC 21.0

39121500

CK1,6-ED-1,00BU AG - Crimp contact



1663420

<https://www.phoenixcontact.com/au/products/1663420>

Environmental product compliance

EU RoHS

Fulfills EU RoHS substance requirements	Yes, No exemptions
---	--------------------

China RoHS

Environment friendly use period (EFUP)	EFUP-50
	An article-related China RoHS declaration table can be found in the download area for the respective article under "Manufacturer declaration". For all articles with EFUP-E, no China RoHS declaration table issued and required.

EU REACH SVHC

REACH candidate substance (CAS No.)	No substance above 0.1 wt%
-------------------------------------	----------------------------

EF3.0 Climate Change

CO2e kg	0.034 kg CO2e
---------	---------------

Phoenix Contact 2025 © - all rights reserved
<https://www.phoenixcontact.com>

PHOENIX CONTACT PTY Ltd
Unit 7, 2-8 South Street
Rydalmere NSW 2116
1300 786 411
customerservice@phoenixcontact.com.au