

SUBCON-PLUS-F/AX 9 - D-SUB bus connector



2311797

<https://www.phoenixcontact.com/au/products/2311797>

Please be informed that the data shown in this PDF document is generated from our online catalog. Please find the complete data in the user documentation. Our general terms of use for downloads are valid.



D-SUB connector, 9-pos. female connector, axial version with two cable entries, universal type for all systems, pin assignment: 1, 2, 3, 4, 5, 6, 7, 8, 9 to screw connection terminal block

Product description

The 9-pos. version of the SUBCON-... connector range is not just suitable for INTERBUS, but is positively ideal. A whole host of further applications are opened up by having all the connections assigned to their own 1 mm² screw terminal block. The range covers SUBCON plugs for point-to-point connections with a cable infeed in 9, 15 and 25-pos. male or female versions.

Your advantages

- Assembly under field conditions
- Separate terminal blocks for each cable
- High transmission speed
- Easy assembly thanks to knurled screws
- High level of EMC
- Can be used universally

Commercial data

Item number	2311797
Packing unit	1 pc
Minimum order quantity	1 pc
Sales key	DNC511
Product key	DNC511
Catalog page	Page 450 (C-6-2019)
GTIN	4046356293945
Weight per piece (including packing)	43.5 g
Weight per piece (excluding packing)	34 g
Customs tariff number	85366990
Country of origin	DE

SUBCON-PLUS-F/AX 9 - D-SUB bus connector



2311797

<https://www.phoenixcontact.com/au/products/2311797>

Technical data

Notes

Utilization restriction

CCCex note	Use in potentially explosive areas is not permitted in China.
------------	---

Product properties

Product type	Data plug
MTTF	6706 Years (SN 29500 standard, temperature 25°C, operating cycle 21%)
	1817 Years (SN 29500 standard, temperature 40°C, operating cycle 34.25%)
	155 Years (SN 29500 standard, temperature 40°C, operating cycle 100%)
Pin assignment	All connections are 1:1 on the screw terminal block

Electrical properties

Nominal voltage U_N	50 V
Nominal current I_N	100 mA

Connection data

Tightening torque	... 0.4 Nm
-------------------	------------

D-SUB connection

Connection method	D-SUB socket
-------------------	--------------

PCB connection

Connection method	Screw connection
Stripping length	4.5 mm
Conductor cross section, rigid min.	0.14 mm ²
Conductor cross section, rigid max.	0.5 mm ²
Conductor cross section flexible min.	0.14 mm ²
Conductor cross section flexible max.	0.5 mm ²
Single-wire/terminal point, rigid AWG min.	26
Single-wire/terminal point, rigid AWG max.	20
Min. AWG conductor cross section, flexible	26
Max. AWG conductor cross section, flexible	20

Interfaces

Bus system	Universal type for all systems
Signal	RS-232
	RS-422
	RS-485

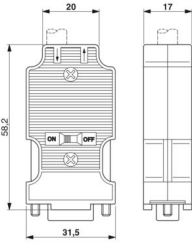
Dimensions

SUBCON-PLUS-F/AX 9 - D-SUB bus connector



2311797

<https://www.phoenixcontact.com/au/products/2311797>

Dimensional drawing	
Width	17 mm
Height	31.5 mm
Length	58.2 mm

Material specifications

Material (Housing)	ABS (metal-plated)
--------------------	--------------------

Cable/line

External cable diameter	7.6 mm ... 8.4 mm (Incoming bus line)
-------------------------	---------------------------------------

Mechanical properties

Mechanical data

Insertion/withdrawal cycles	> 200
-----------------------------	-------

Mechanical tests

Vibration resistance in accordance with EN 60068-2-6/IEC 60068-2-6	Vibration (operation): 5g, 10...150 Hz, 2.5 h, in XYZ direction
Shock in accordance with EN 60068-2-27/IEC 60068-2-27	Shock (operation): 15g, 11 ms period, half-sine shock pulse

Environmental and real-life conditions

Ambient conditions

Degree of protection	IP20
Ambient temperature (operation)	-20 °C ... 75 °C
Ambient temperature (storage/transport)	-25 °C ... 80 °C
Altitude	≤ 5000 m (For restrictions, see the manufacturer's declaration for altitude operation)
Permissible humidity (operation)	10 % ... 95 % (non-condensing)
Permissible humidity (storage/transport)	5 % ... 95 % (non-condensing)

Approvals

ATEX

Identification	⊕ II 3 G Ex ec IIC T4 Gc
Certificate	PxCIF15ATEX2744241X
Note	Please follow the special installation instructions in the documentation!

Corrosive gas test

SUBCON-PLUS-F/AX 9 - D-SUB bus connector



2311797

<https://www.phoenixcontact.com/au/products/2311797>

Identification	ISA-S71.04-1985 G3 Harsh Group A
----------------	----------------------------------

Standards and regulations

Free from substances that could impair the application of coating	VDMA 24364:2018-05
---	--------------------

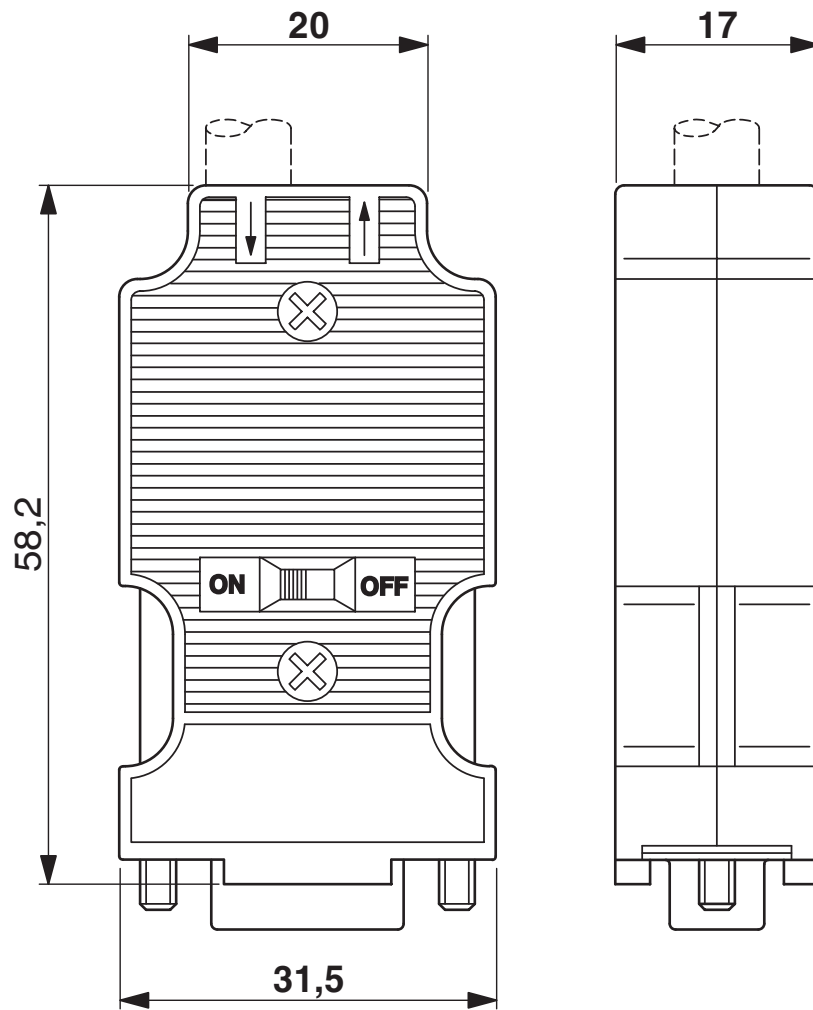
SUBCON-PLUS-F/AX 9 - D-SUB bus connector

2311797

<https://www.phoenixcontact.com/au/products/2311797>

Drawings

Dimensional drawing



Dimensional drawing SUBCON-PLUS-.../AX...

SUBCON-PLUS-F/AX 9 - D-SUB bus connector



2311797

<https://www.phoenixcontact.com/au/products/2311797>

Approvals

To download certificates, visit the product detail page: <https://www.phoenixcontact.com/au/products/2311797>



cULus Recognized
Approval ID: E238705

SUBCON-PLUS-F/AX 9 - D-SUB bus connector



2311797

<https://www.phoenixcontact.com/au/products/2311797>

Classifications

ECLASS

ECLASS-13.0

27440302

ETIM

ETIM 9.0

EC001132

UNSPSC

UNSPSC 21.0

39121400

SUBCON-PLUS-F/AX 9 - D-SUB bus connector



2311797

<https://www.phoenixcontact.com/au/products/2311797>

Environmental product compliance

EU RoHS

Fulfills EU RoHS substance requirements	Yes
Exemption	6(c)

China RoHS

Environment friendly use period (EFUP)	EFUP-50
	An article-related China RoHS declaration table can be found in the download area for the respective article under "Manufacturer declaration". For all articles with EFUP-E, no China RoHS declaration table issued and required.

EU REACH SVHC

REACH candidate substance (CAS No.)	Lead(CAS: 7439-92-1)
SCIP	da4b4917-29b8-4399-83f6-13c9ead0a779

Phoenix Contact 2025 © - all rights reserved
<https://www.phoenixcontact.com>

PHOENIX CONTACT PTY Ltd
Unit 7, 2-8 South Street
Rydalmere NSW 2116
1300 786 411
customerservice@phoenixcontact.com.au