

SUBCON-PLUS-PROFIB/90/SC - D-SUB bus connector



2313698

<https://www.phoenixcontact.com/au/products/2313698>

Please be informed that the data shown in this PDF document is generated from our online catalog. Please find the complete data in the user documentation. Our general terms of use for downloads are valid.



D-SUB connector, 9-pos., pin, 90° cable outlet, bus system: PROFIBUS DP up to 12 Mbps, termination resistor can be switched on via slide switch, pin assignment: 3, 5, 6, 8; screw connection terminal blocks

Product description

The D-SUB series, SUBCON-PLUS-PROFIB/... was specially designed for use in PROFIBUS systems up to 12 Mbps. Under field conditions, it allows convenient and fast connection of the incoming and outgoing bus cable. The terminating resistor is already integrated in all versions. It can be connected externally by means of a slide switch. At the same time, the outgoing bus segment is switched off. This makes it easy to start up segment by segment while incorrect terminations are avoided.

Your advantages

- Suitable for all common Fast Connect PROFIBUS cables and RS-485 bus lines

Commercial data

Item number	2313698
Packing unit	1 pc
Minimum order quantity	1 pc
Sales key	DNC531
Product key	DNC531
Catalog page	Page 447 (C-6-2019)
GTIN	4046356514163
Weight per piece (including packing)	50 g
Weight per piece (excluding packing)	36 g
Customs tariff number	85366990
Country of origin	DE

SUBCON-PLUS-PROFIB/90/SC - D-SUB bus connector



2313698

<https://www.phoenixcontact.com/au/products/2313698>

Technical data

Notes

Note on application

Note on application	Only for industrial use
---------------------	-------------------------

Utilization restriction

CCCex note	Use in potentially explosive areas is not permitted in China.
------------	---

Product properties

Product type	Data plug
MTTF	6706 Years (SN 29500 standard, temperature 25°C, operating cycle 21%)
	1817 Years (SN 29500 standard, temperature 40°C, operating cycle 34.25%)
	155 Years (SN 29500 standard, temperature 40°C, operating cycle 100%)
Pin assignment	3, 5, 6, 8

Electrical properties

Test voltage	50 V
Maximum power dissipation for nominal condition	0.025 W
Nominal voltage U_N	5 V
Nominal current I_N	100 mA

Connection data

Tightening torque	... 1.2 Nm
-------------------	------------

D-SUB connection

Connection method	D-SUB connector
-------------------	-----------------

PCB connection

Connection method	Screw connection
Stripping length	5 mm
Conductor cross section, rigid min.	0.14 mm ²
Conductor cross section, rigid max.	1.5 mm ²
Conductor cross section flexible min.	0.14 mm ²
Conductor cross section flexible max.	1 mm ²
Single-wire/terminal point, rigid AWG min.	26
Single-wire/terminal point, rigid AWG max.	16
Min. AWG conductor cross section, flexible	26
Max. AWG conductor cross section, flexible	18

Interfaces

Bus system	PROFIBUS DP
------------	-------------

SUBCON-PLUS-PROFIB/90/SC - D-SUB bus connector

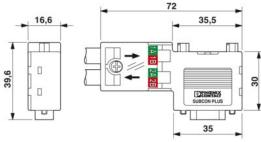


2313698

<https://www.phoenixcontact.com/au/products/2313698>

Signal	PROFIBUS
--------	----------

Dimensions

Dimensional drawing	
Width	16.8 mm
Height	34.8 mm
Length	72 mm

Material specifications

Material (Housing)	ABS (metal-plated)
--------------------	--------------------

Cable/line

External cable diameter	7.6 mm ... 8.4 mm (Incoming bus line)
-------------------------	---------------------------------------

Mechanical properties

Mechanical data

Insertion/withdrawal cycles	> 200
-----------------------------	-------

Mechanical tests

Vibration resistance in accordance with EN 60068-2-6/IEC 60068-2-6	Vibration (operation): 5g, 10...150 Hz, 2.5 h, in XYZ direction
Shock in accordance with EN 60068-2-27/IEC 60068-2-27	Shock (operation): 15g, 11 ms period, half-sine shock pulse

Environmental and real-life conditions

Ambient conditions

Degree of protection	IP40
Ambient temperature (operation)	-20 °C ... 75 °C
Ambient temperature (storage/transport)	-25 °C ... 80 °C
Altitude	≤ 5000 m (For restrictions, see the manufacturer's declaration for altitude operation)
Permissible humidity (operation)	10 % ... 95 % (non-condensing)
Permissible humidity (storage/transport)	5 % ... 95 % (non-condensing)

Approvals

ATEX

Identification	⊕ II 3 G Ex ec IIC T4 Gc
Certificate	PxCIF15ATEX2744348X
Note	Please follow the special installation instructions in the documentation!

SUBCON-PLUS-PROFIB/90/SC - D-SUB bus connector



2313698

<https://www.phoenixcontact.com/au/products/2313698>

UKEX

Identification	Ⓜ II 3 G Ex ec IIC T4 Gc
Certificate	PxCIMA22UKEX2744348X

Corrosive gas test

Identification	ISA-S71.04-1985 G3 Harsh Group A
----------------	----------------------------------

Standards and regulations

Free from substances that could impair the application of coating	VDMA 24364:2018-05
---	--------------------

SUBCON-PLUS-PROFIB/90/SC - D-SUB bus connector

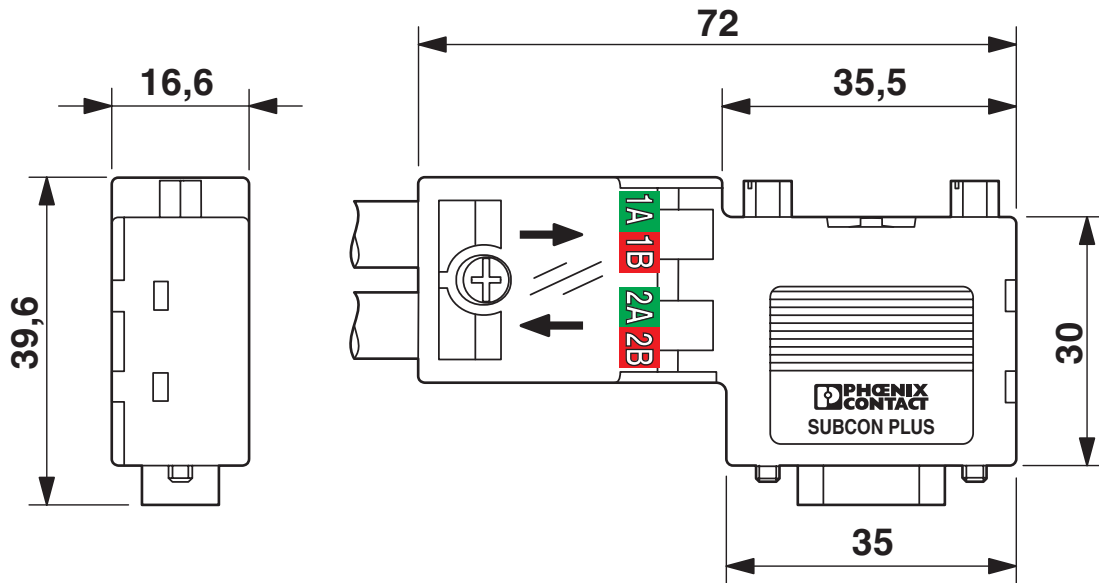


2313698

<https://www.phoenixcontact.com/au/products/2313698>

Drawings

Dimensional drawing



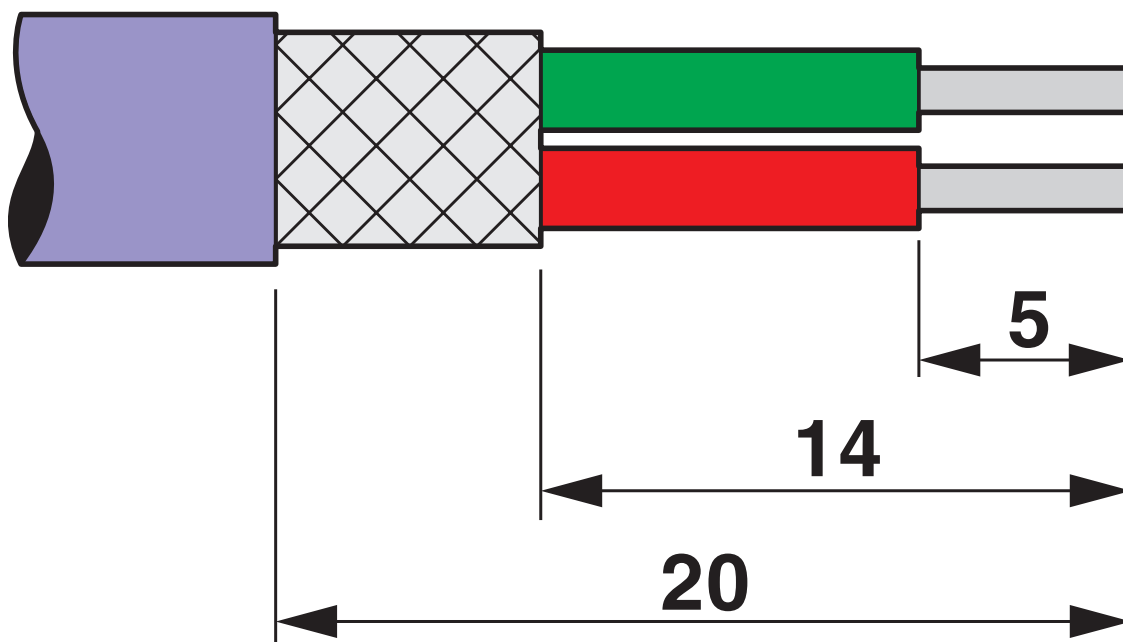
Dimensional drawing

SUBCON-PLUS-PROFIB/90/SC - D-SUB bus connector

2313698

<https://www.phoenixcontact.com/au/products/2313698>

Schematic diagram



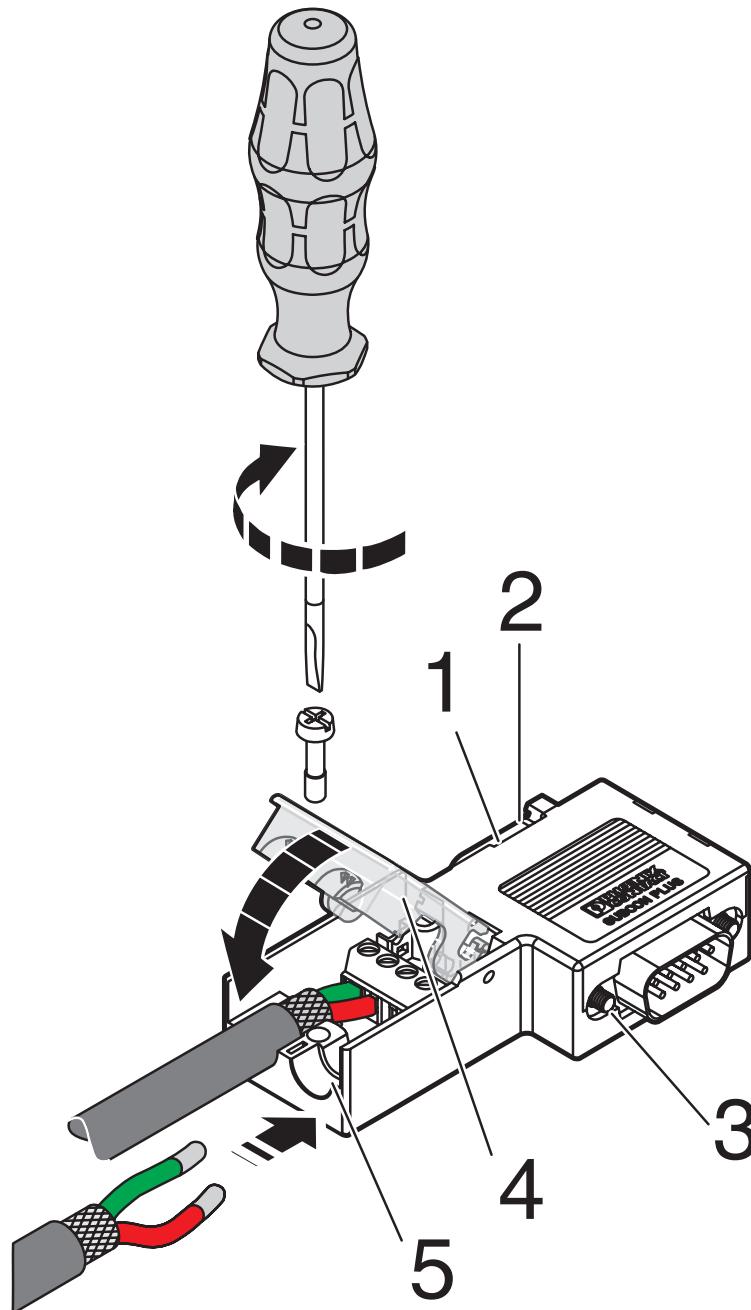
Stripping specifications

SUBCON-PLUS-PROFIB/90/SC - D-SUB bus connector

2313698

<https://www.phoenixcontact.com/au/products/2313698>

Schematic diagram



Connecting cables

SUBCON-PLUS-PROFIB/90/SC - D-SUB bus connector



2313698

<https://www.phoenixcontact.com/au/products/2313698>

Circuit diagram



Functional diagram of the connector range
SUBCON-PLUS-PROFIB/...

SUBCON-PLUS-PROFIB/90/SC - D-SUB bus connector



2313698

<https://www.phoenixcontact.com/au/products/2313698>

Approvals

To download certificates, visit the product detail page: <https://www.phoenixcontact.com/au/products/2313698>



cUL Recognized

Approval ID: E238705



UL Recognized

Approval ID: E238705



CSA

Approval ID: 2437602

SUBCON-PLUS-PROFIB/90/SC - D-SUB bus connector



2313698

<https://www.phoenixcontact.com/au/products/2313698>

Classifications

ECLASS

ECLASS-13.0

27440302

ETIM

ETIM 9.0

EC001132

UNSPSC

UNSPSC 21.0

39121400

SUBCON-PLUS-PROFIB/90/SC - D-SUB bus connector



2313698

<https://www.phoenixcontact.com/au/products/2313698>

Environmental product compliance

EU RoHS

Fulfills EU RoHS substance requirements	Yes
Exemption	6(c)

China RoHS

Environment friendly use period (EFUP)	EFUP-50
	An article-related China RoHS declaration table can be found in the download area for the respective article under "Manufacturer declaration". For all articles with EFUP-E, no China RoHS declaration table issued and required.

EU REACH SVHC

REACH candidate substance (CAS No.)	Lead(CAS: 7439-92-1)
SCIP	e341ecff-3ee9-41a8-98c3-d23b10b8078c

Phoenix Contact 2025 © - all rights reserved

<https://www.phoenixcontact.com>

PHOENIX CONTACT PTY Ltd

Unit 7, 2-8 South Street

Rydalmere NSW 2116

1300 786 411

customerservice@phoenixcontact.com.au