

# SUBCON-PLUS F3 - D-SUB bus connector



2761871

<https://www.phoenixcontact.com/au/products/2761871>

Please be informed that the data shown in this PDF document is generated from our online catalog. Please find the complete data in the user documentation. Our general terms of use for downloads are valid.



D-SUB connector, 9-pos. female connector, two cable entries < 35°, bus system: CANopen, FIP, pin assignment: 2, 3, 6, 7, 8, 9 to two screw connection terminal blocks

## Your advantages

- Assembly under field conditions
- Separate terminal blocks for each cable
- High transmission speed
- Easy assembly thanks to knurled screws
- High level of EMC
- Flexibility in terms of cable entry selection
- Can be used universally
- Change to the D-SUB orientation through a reversible connection block

## Commercial data

Item number	2761871
Packing unit	1 pc
Minimum order quantity	1 pc
Sales key	DNC521
Product key	DNC521
GTIN	4017918156299
Weight per piece (including packing)	74.4 g
Weight per piece (excluding packing)	61.4 g
Customs tariff number	85366990
Country of origin	DE

# SUBCON-PLUS F3 - D-SUB bus connector



2761871

<https://www.phoenixcontact.com/au/products/2761871>

## Technical data

### Notes

#### Utilization restriction

CCCex note	Use in potentially explosive areas is not permitted in China.
------------	---

### Product properties

Product type	Data plug
MTTF	6706 Years (SN 29500 standard, temperature 25°C, operating cycle 21%)
	1817 Years (SN 29500 standard, temperature 40°C, operating cycle 34.25%)
	155 Years (SN 29500 standard, temperature 40°C, operating cycle 100%)
Pin assignment	2, 3, 6, 7, 8, 9 on two terminal blocks

### Electrical properties

Nominal voltage $U_N$	50 V DC
Nominal current $I_N$	100 mA
Transmission medium	Copper

### Connection data

#### D-SUB connection

Connection method	D-SUB socket
-------------------	--------------

#### PCB connection

Connection method	Screw connection
Stripping length	5 mm
Conductor cross section, rigid min.	0.14 mm <sup>2</sup>
Conductor cross section, rigid max.	1.5 mm <sup>2</sup>
Conductor cross section flexible min.	0.14 mm <sup>2</sup>
Conductor cross section flexible max.	1 mm <sup>2</sup>
Single-wire/terminal point, rigid AWG min.	26
Single-wire/terminal point, rigid AWG max.	16

### Interfaces

Bus system	CANopen®, FIP
Signal	RS-485

### Dimensions

# SUBCON-PLUS F3 - D-SUB bus connector



2761871

<https://www.phoenixcontact.com/au/products/2761871>

Dimensional drawing	
Width	16 mm
Height	44 mm
Length	60 mm

## Material specifications

Material (Housing)	ABS (metal-plated)
--------------------	--------------------

## Cable/line

External cable diameter	6 mm ... 10 mm (Incoming bus line)
-------------------------	------------------------------------

## Mechanical properties

### Mechanical data

Insertion/withdrawal cycles	> 200
-----------------------------	-------

## Mechanical tests

Vibration resistance in accordance with EN 60068-2-6/IEC 60068-2-6	Vibration (operation): 5g, 10...150 Hz, 2.5 h, in XYZ direction
Shock in accordance with EN 60068-2-27/IEC 60068-2-27	Shock (operation): 15g, 11 ms period, half-sine shock pulse

## Environmental and real-life conditions

### Ambient conditions

Degree of protection	IP20
Ambient temperature (operation)	-20 °C ... 75 °C
Ambient temperature (storage/transport)	-25 °C ... 80 °C
Altitude	≤ 5000 m (For restrictions, see the manufacturer's declaration for altitude operation)
Permissible humidity (operation)	10 % ... 95 % (non-condensing)
Permissible humidity (storage/transport)	5 % ... 95 % (non-condensing)

## Approvals

### ATEX

Identification	⊕ II 3 G Ex ec IIC T4 Gc
Certificate	PxCIF14ATEX2744267X
Note	Please follow the special installation instructions in the documentation!

### Corrosive gas test

# SUBCON-PLUS F3 - D-SUB bus connector



2761871

<https://www.phoenixcontact.com/au/products/2761871>

Identification	ISA-S71.04-1985 G3 Harsh Group A
----------------	----------------------------------

## Standards and regulations

Free from substances that could impair the application of coating	VDMA 24364:2018-05
---	--------------------

# SUBCON-PLUS F3 - D-SUB bus connector

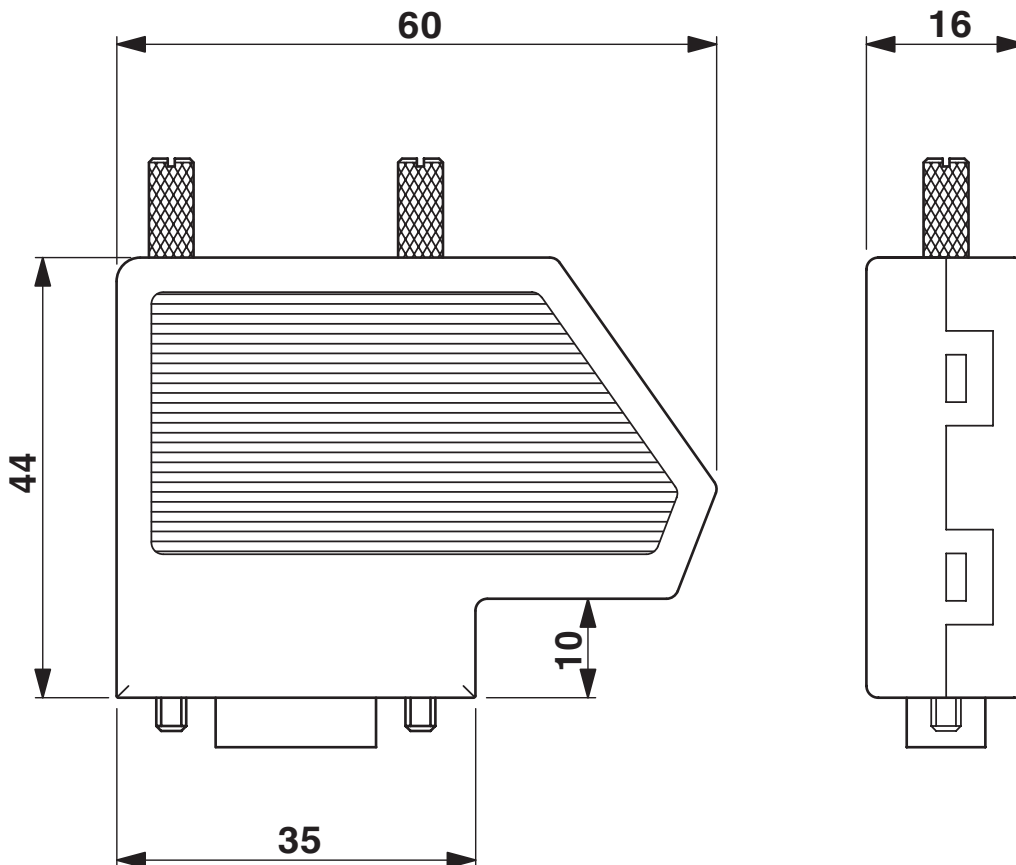
2761871

<https://www.phoenixcontact.com/au/products/2761871>



## Drawings

Dimensional drawing



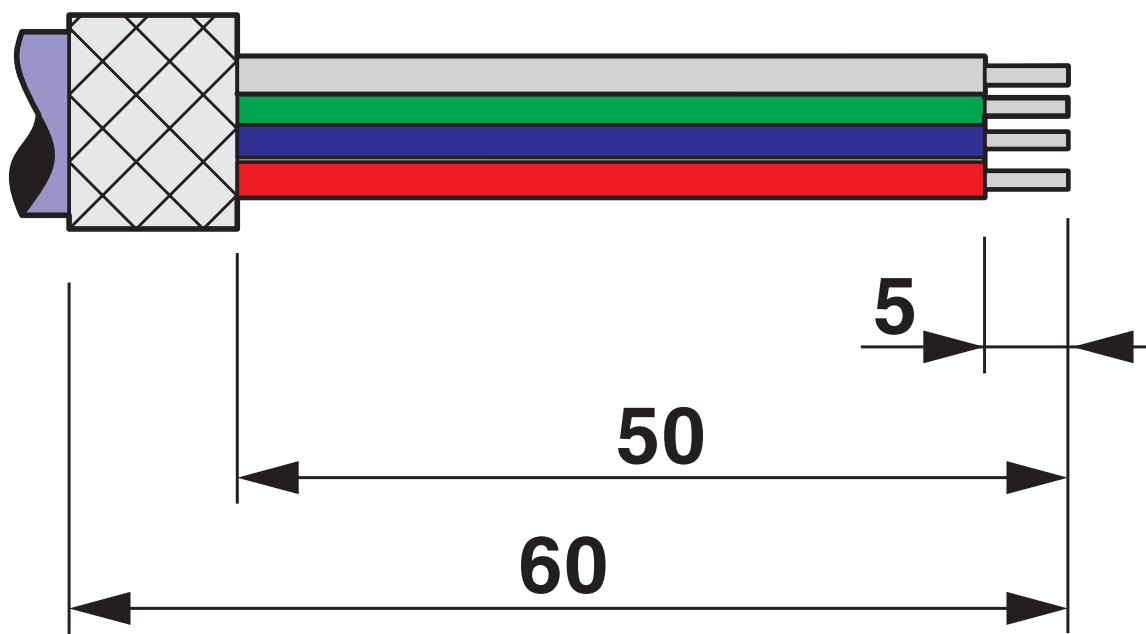
Dimensional drawing SUBCON-PLUS...

# SUBCON-PLUS F3 - D-SUB bus connector

2761871

<https://www.phoenixcontact.com/au/products/2761871>

Schematic diagram



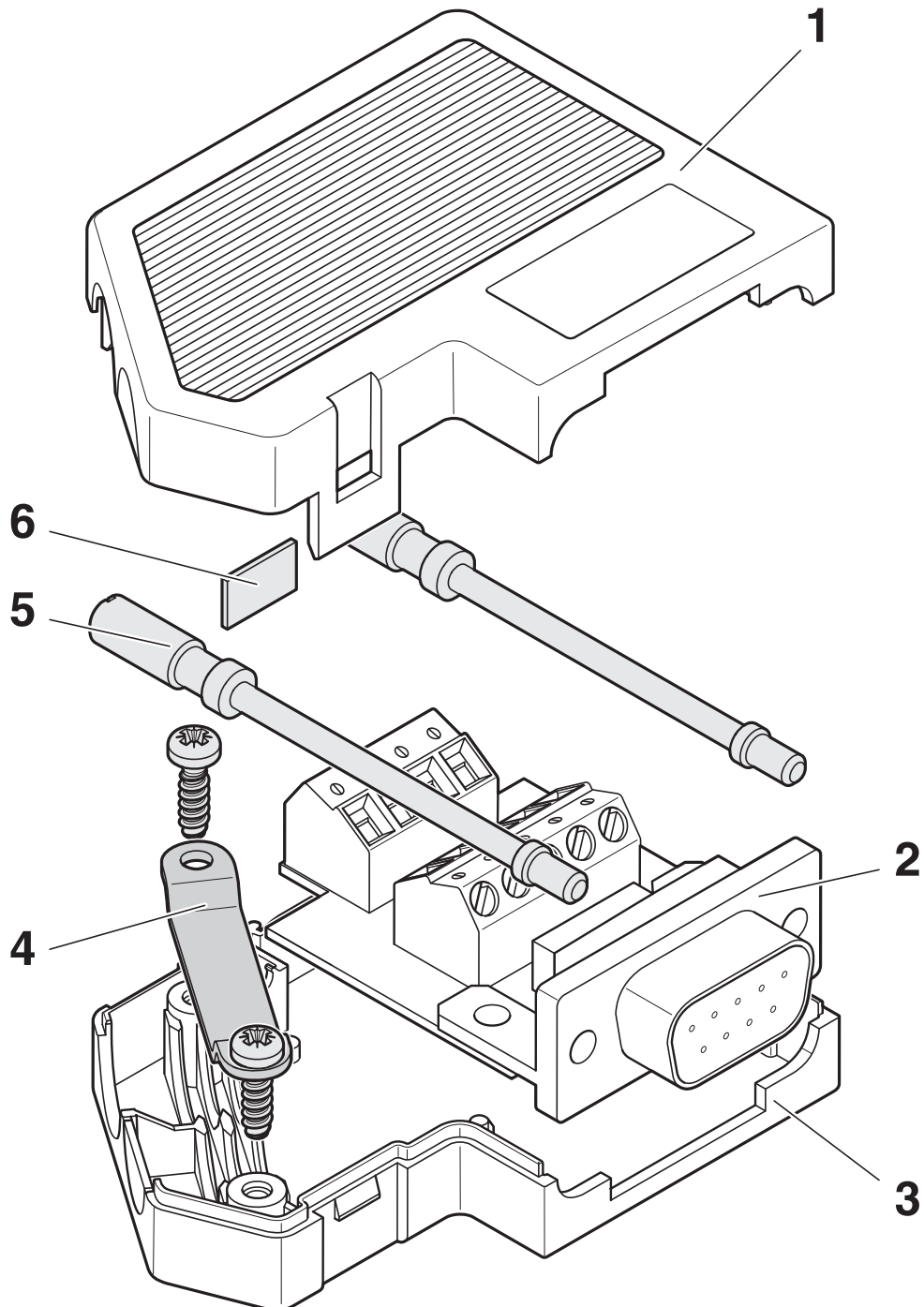
Stripping specifications

# SUBCON-PLUS F3 - D-SUB bus connector

2761871

<https://www.phoenixcontact.com/au/products/2761871>

Schematic diagram



Function elements

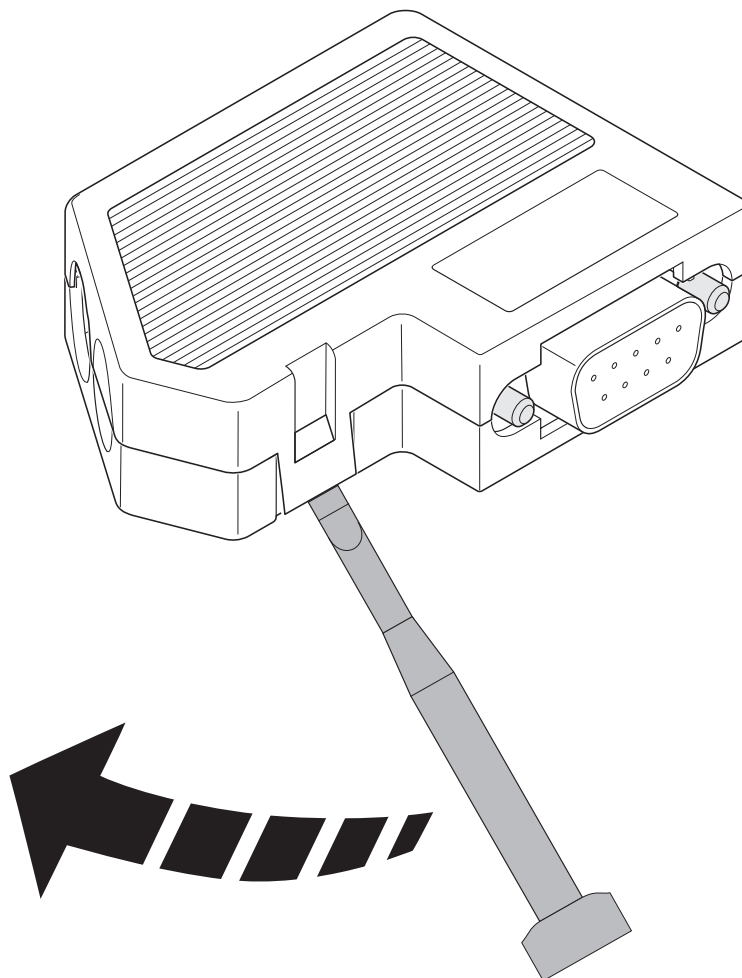
# SUBCON-PLUS F3 - D-SUB bus connector

2761871

<https://www.phoenixcontact.com/au/products/2761871>



Schematic diagram



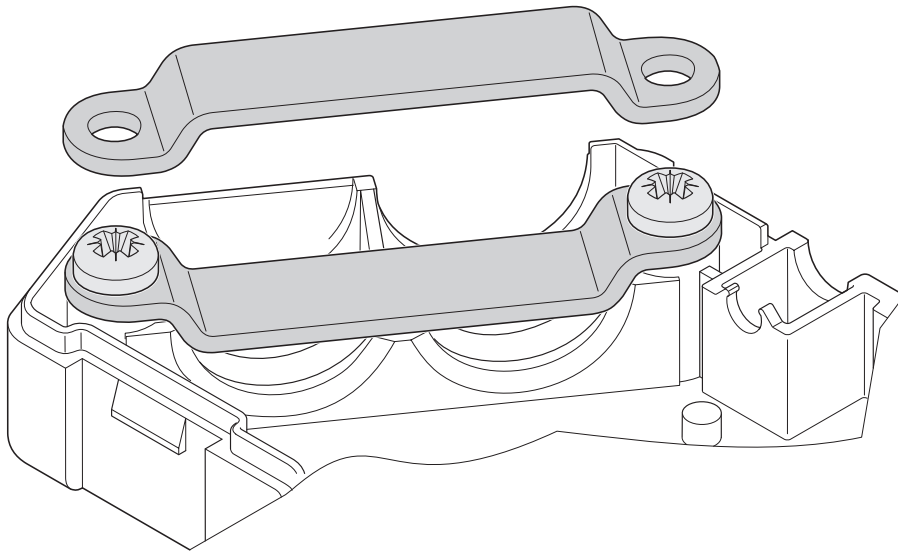
Opening the housing

# SUBCON-PLUS F3 - D-SUB bus connector

2761871

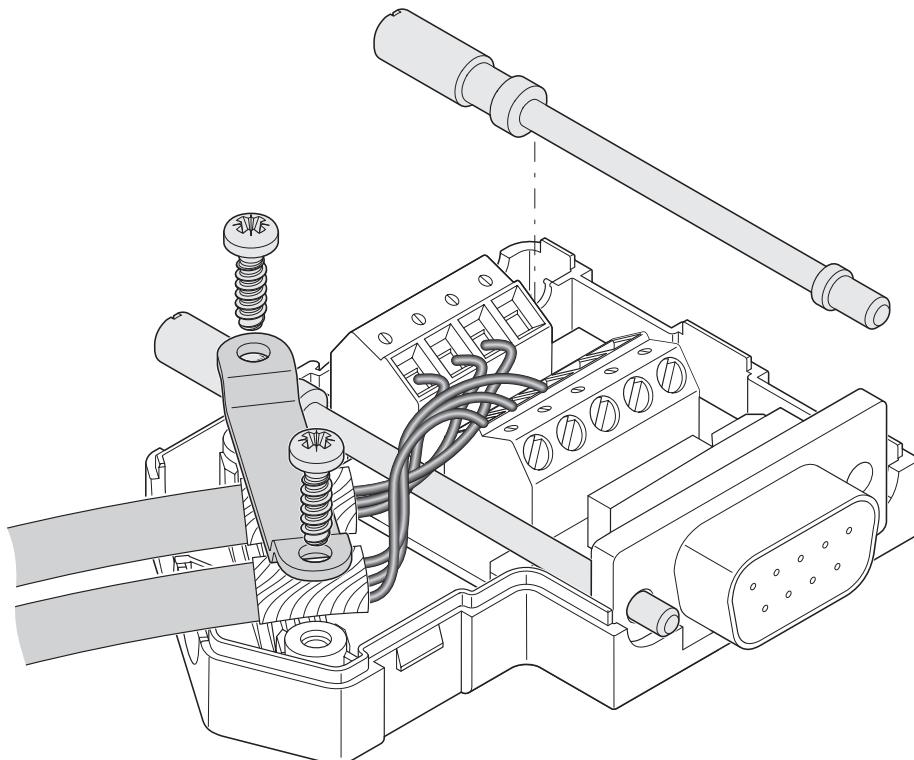
<https://www.phoenixcontact.com/au/products/2761871>

Schematic diagram



Clip bracket

Schematic diagram



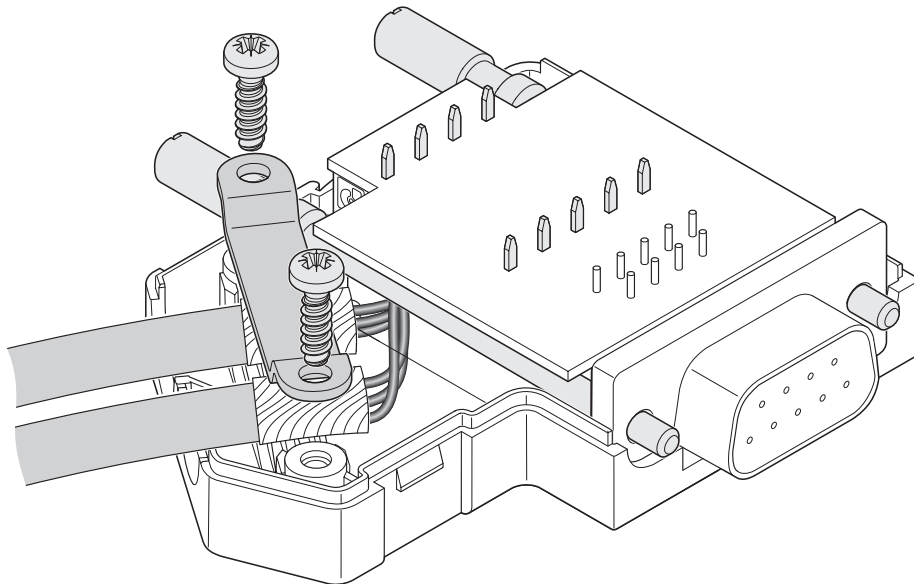
Left-hand side cable entry

# SUBCON-PLUS F3 - D-SUB bus connector

2761871

<https://www.phoenixcontact.com/au/products/2761871>

Schematic diagram



Right-hand side cable entry

# SUBCON-PLUS F3 - D-SUB bus connector



2761871

<https://www.phoenixcontact.com/au/products/2761871>

## Approvals

To download certificates, visit the product detail page: <https://www.phoenixcontact.com/au/products/2761871>



**cULus Recognized**  
Approval ID: E238705

# SUBCON-PLUS F3 - D-SUB bus connector



2761871

<https://www.phoenixcontact.com/au/products/2761871>

## Classifications

### ECLASS

ECLASS-13.0

27440302

### ETIM

ETIM 9.0

EC001132

### UNSPSC

UNSPSC 21.0

39121400

# SUBCON-PLUS F3 - D-SUB bus connector



2761871

<https://www.phoenixcontact.com/au/products/2761871>

## Environmental product compliance

### EU RoHS

Fulfills EU RoHS substance requirements	Yes, No exemptions
---	--------------------

### China RoHS

Environment friendly use period (EFUP)	EFUP-E
	No hazardous substances above the limits

### EU REACH SVHC

REACH candidate substance (CAS No.)	No substance above 0.1 wt%
-------------------------------------	----------------------------

Phoenix Contact 2025 © - all rights reserved  
<https://www.phoenixcontact.com>

PHOENIX CONTACT PTY Ltd  
Unit 7, 2-8 South Street  
Rydalmere NSW 2116  
1300 786 411  
[customerservice@phoenixcontact.com.au](mailto:customerservice@phoenixcontact.com.au)