

SACC-M 8MS-4QO-0,25-M - Connector



1441011

<https://www.phoenixcontact.com/au/products/1441011>

Please be informed that the data shown in this PDF document is generated from our online catalog. Please find the complete data in the user documentation. Our general terms of use for downloads are valid.



Connector, Universal, 4-position, Plug straight M8, coding: A, Insulation displacement connection, knurl material: Zinc die-cast, nickel-plated, external cable diameter 2.5 mm ... 5 mm

Your advantages

- Safe use in the field, thanks to a high degree of protection
- Insulation displacement connection: innovative and time-saving assembly without stripping the single wire

Commercial data

| | |
|--------------------------------------|--------------------|
| Item number | 1441011 |
| Packing unit | 1 pc |
| Minimum order quantity | 1 pc |
| Sales key | AF2BCA |
| Product key | AF2BCA |
| Catalog page | Page 16 (C-2-2019) |
| GTIN | 4046356515900 |
| Weight per piece (including packing) | 8.4 g |
| Weight per piece (excluding packing) | 8 g |
| Customs tariff number | 85366990 |
| Country of origin | DE |

SACC-M 8MS-4QO-0,25-M - Connector

1441011

<https://www.phoenixcontact.com/au/products/1441011>

Technical data

Notes

| | |
|---------------|---|
| Assembly note | NOTE: Observe the permissible bending radii when routing cables, since the degree of protection may be at risk if the bending forces are too high. Reduce mechanical loads upstream of the connector, e.g., by using cable ties. |
|---------------|---|

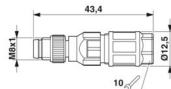
Product properties

| | |
|----------------------|---------------------------------|
| Product type | Circular connector (cable-side) |
| Sensor type | Universal |
| Number of positions | 4 |
| No. of cable outlets | 1 |
| Shielded | no |
| Coding | A |
| Cable outlet | straight |

Insulation characteristics

| | |
|----------------------|----|
| Overvoltage category | II |
| Degree of pollution | 3 |

Dimensions

| | |
|---------------------|--|
| Dimensional drawing |  |
| Length | 43.4 mm |

External dimensions

| | |
|------------------|-------------------------|
| Outside diameter | 2.5 mm ... 5 mm ±0.2 mm |
|------------------|-------------------------|

Housing

| | |
|------------------|---------|
| Diameter housing | 12.5 mm |
|------------------|---------|

Material specifications

| | |
|--|------------------------------|
| Flammability rating according to UL 94 | HB |
| Seal material | NBR |
| Material of grip body | PA 6 |
| Contact material | CuSn |
| Contact surface material | Ni/Au |
| Contact carrier material | TPU GF |
| Material for screw connection | Zinc die-cast, nickel-plated |
| Wire insulation material | PVC / PE / PP / rubber |

SACC-M 8MS-4QO-0,25-M - Connector



1441011

<https://www.phoenixcontact.com/au/products/1441011>

Connection data

Conductor connection

| | |
|------------------------------|---|
| Connection method | Insulation displacement connection |
| Connection cross section | 0.08 mm ² ... 0.25 mm ² |
| Connection cross section AWG | 28 ... 24 |
| Tightening torque | 0.6 Nm (Pressure nut) 0.2 Nm (M8 knurl) |

Pin assignment

| | |
|---|--------|
| Contact Color (signal designation) Contact (optional) | 1 = BN |
| | 2 = WH |
| | 3 = BU |
| | 4 = BK |

Electrical properties

| | |
|--------------------------------|--------------------|
| Rated surge voltage | 0.8 kV |
| Contact resistance | ≤ 5 mΩ |
| Insulation resistance | ≥ 100 MΩ |
| Nominal voltage U _N | 30 V AC 30 V DC |
| Nominal current I _N | 4 A |

Mechanical properties

Mechanical data

| | |
|-----------------------------|-------|
| Insertion/withdrawal cycles | ≥ 100 |
|-----------------------------|-------|

Connector

Connection 1

| | |
|-------------------|----------|
| Head design | Plug |
| Head cable outlet | straight |
| Head thread type | M8 |
| Coding | A |

Cable/line

| | |
|-------------------------|-----------------|
| Signal type/category | Universal |
| External cable diameter | 2.5 mm ... 5 mm |

Environmental and real-life conditions

Ambient conditions

| | |
|---|----------------------------------|
| Degree of protection | IP65 IP67 |
| Ambient temperature (operation) (male connector/female connector) | -25 °C ... 80 °C (Plug / socket) |

SACC-M 8MS-4QO-0,25-M - Connector



1441011

<https://www.phoenixcontact.com/au/products/1441011>

Standards and regulations

M8

| | |
|--------------------------|-----------------|
| Standard designation | M8 connector |
| Standards/specifications | IEC 61076-2-104 |

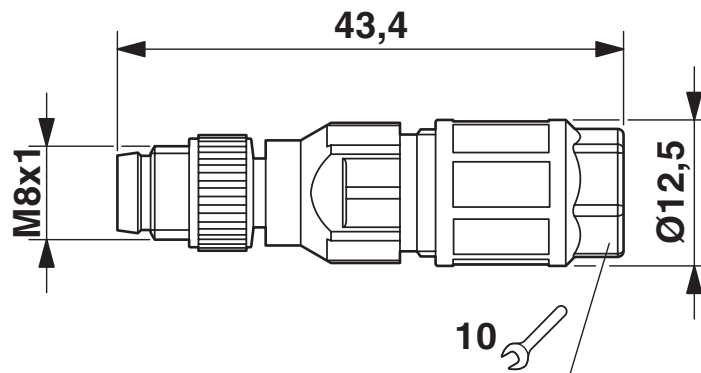
SACC-M 8MS-4QO-0,25-M - Connector

1441011

<https://www.phoenixcontact.com/au/products/1441011>

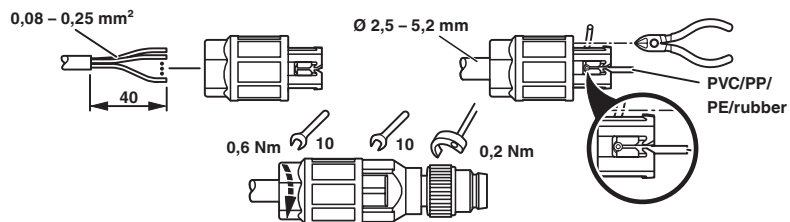
Drawings

Dimensional drawing



M8 x 1 male plug, straight version

Functional drawing



SACC-M 8MS-4QO-0,25-M - Connector

1441011

<https://www.phoenixcontact.com/au/products/1441011>



Schematic diagram



Pin assignment M8 plug, 4-pos., view male side

SACC-M 8MS-4QO-0,25-M - Connector



1441011

<https://www.phoenixcontact.com/au/products/1441011>

Approvals

To download certificates, visit the product detail page: <https://www.phoenixcontact.com/au/products/1441011>



cUL Recognized
Approval ID: E118976



UL Recognized
Approval ID: E118976



EAC
Approval ID: RU C-DE.AI30.B.01102

SACC-M 8MS-4QO-0,25-M - Connector



1441011

<https://www.phoenixcontact.com/au/products/1441011>

Classifications

ECLASS

ECLASS-13.0

27440116

ETIM

ETIM 9.0

EC002635

UNSPSC

UNSPSC 21.0

39121400

SACC-M 8MS-4QO-0,25-M - Connector



1441011

<https://www.phoenixcontact.com/au/products/1441011>

Environmental product compliance

EU RoHS

| | |
|---|--------------------|
| Fulfills EU RoHS substance requirements | Yes, No exemptions |
|---|--------------------|

China RoHS

| | |
|--|--|
| Environment friendly use period (EFUP) | EFUP-E |
| | No hazardous substances above the limits |

EU REACH SVHC

| | |
|-------------------------------------|----------------------------|
| REACH candidate substance (CAS No.) | No substance above 0.1 wt% |
|-------------------------------------|----------------------------|

EF3.0 Climate Change

| | |
|---------|---------------|
| CO2e kg | 1.301 kg CO2e |
|---------|---------------|

Phoenix Contact 2025 © - all rights reserved
<https://www.phoenixcontact.com>

PHOENIX CONTACT PTY Ltd
Unit 7, 2-8 South Street
Rydalmere NSW 2116
1300 786 411
customerservice@phoenixcontact.com.au