

SACC-M 8MS-3PL-M - Connector



1482516

<https://www.phoenixcontact.com/au/products/1482516>

Please be informed that the data shown in this PDF document is generated from our online catalog. Please find the complete data in the user documentation. Our general terms of use for downloads are valid.



Connector, Universal, 3-position, unshielded, Plug straight M8, coding: A, Push-lock spring connection, knurl material: Zinc die-cast, nickel-plated, external cable diameter 3.5 mm ... 5.5 mm

Your advantages

- Time-saving Push-Lock connection: Tool-free connection and disconnection of conductors by opening the contact levers
- Intuitive connection: Easy assignment of individual litz wires with color-coded and numerical identification of the contact levers
- Integrated Push-in Technology: Wire rigid and pretreated conductors easily by means of simple, direct insertion
- Shock- and vibration-resistant connection: Proven spring-cage technology guarantees secure and reliable contacting
- Safe use in the field, thanks to a high degree of protection

Commercial data

| | |
|--------------------------------------|---------------|
| Item number | 1482516 |
| Packing unit | 1 pc |
| Minimum order quantity | 1 pc |
| Sales key | AF2BEA |
| Product key | AF2BEA |
| GTIN | 4067923233638 |
| Weight per piece (including packing) | 12.9 g |
| Weight per piece (excluding packing) | 22.22 g |
| Customs tariff number | 85366990 |
| Country of origin | DE |

SACC-M 8MS-3PL-M - Connector



1482516

<https://www.phoenixcontact.com/au/products/1482516>

Technical data

Notes

| | |
|---------------|--|
| Assembly note | NOTE: Observe the permissible bending radii when routing cables, since the degree of protection may be at risk if the bending forces are too high. Reduce mechanical loads upstream of the connector, e.g., by using cable ties. |
| General | The user must take appropriate safety precautions so that the connector cannot be accidentally loosened or opened. To protect against unintentional opening of the connector, the thread must be secured between the housing and the connector head using a suitable cyanoacrylate adhesive. |

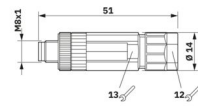
Product properties

| | |
|----------------------|---------------------------------|
| Product type | Circular connector (cable-side) |
| Sensor type | Universal |
| Number of positions | 3 |
| No. of cable outlets | 1 |
| Shielded | no |
| Coding | A |
| Cable outlet | straight |

Insulation characteristics

| | |
|----------------------|----|
| Overvoltage category | II |
| Degree of pollution | 3 |

Dimensions

| | |
|---------------------|--|
| Dimensional drawing |  |
| Width | 14 mm |
| Height | 14 mm |
| Length | 51 mm |

External dimensions

| | |
|------------------|-------------------|
| Outside diameter | 3.5 mm ... 5.5 mm |
|------------------|-------------------|

Housing

| | |
|------------------|-------|
| Diameter housing | 14 mm |
|------------------|-------|

Material specifications

| | |
|--|-------------------------------|
| Material | PBT PA 6 (Actuation lever) |
| Flammability rating according to UL 94 | V0 |

SACC-M 8MS-3PL-M - Connector



1482516

<https://www.phoenixcontact.com/au/products/1482516>

| | |
|-------------------------------|------------------------------|
| Seal material | NBR |
| Material of grip body | PA 6.6 |
| Contact material | CuSn |
| Contact surface material | Ni/Au |
| Contact carrier material | PA 6.6 |
| Material for screw connection | Zinc die-cast, nickel-plated |

Connection data

Conductor connection

| | |
|---|--|
| Connection method | Push-lock spring connection |
| Connection cross section | 0.14 mm ² ... 0.5 mm ² |
| Connection cross section AWG | 26 ... 20 |
| Stripping length of the individual wire | 7 mm |
| Tightening torque | 0.2 Nm (M8 knurl) 0.2 Nm (Connector with coupling sleeve) 1.5 Nm (Pressure nut with coupling sleeve) |

Pin assignment

| | |
|---|----------------------------|
| Contact Color (signal designation) Contact (optional) | 1 = BN 3 = BU 4 = BK |
|---|----------------------------|

Electrical properties

| | |
|--------------------------------|--------------------|
| Nominal voltage U _N | 48 V AC 60 V DC |
| Nominal current I _N | 4 A |

Mechanical properties

Mechanical data

| | |
|-----------------------------|-------|
| Insertion/withdrawal cycles | ≥ 100 |
|-----------------------------|-------|

Connector

Connection 1

| | |
|-------------------|----------|
| Head design | Plug |
| Head cable outlet | straight |
| Head thread type | M8 |
| Coding | A |

Cable/line

| | |
|---|-----------|
| Signal type/category | Universal |
| Stripping length of the individual wire | 7 mm |

Environmental and real-life conditions

SACC-M 8MS-3PL-M - Connector



1482516

<https://www.phoenixcontact.com/au/products/1482516>

Ambient conditions

| | |
|---------------------------------|----------------------------------|
| Degree of protection | IP65 |
| | IP67 |
| Ambient temperature (operation) | -25 °C ... 85 °C (Plug / socket) |

Standards and regulations

M8

| | |
|--------------------------|------------------|
| Standard designation | M8 connector |
| Standards/specifications | IEC 61076-2-104 |
| Standard designation | Shock, vibration |
| Standards/specifications | EN 50155:2001 |

SACC-M 8MS-3PL-M - Connector

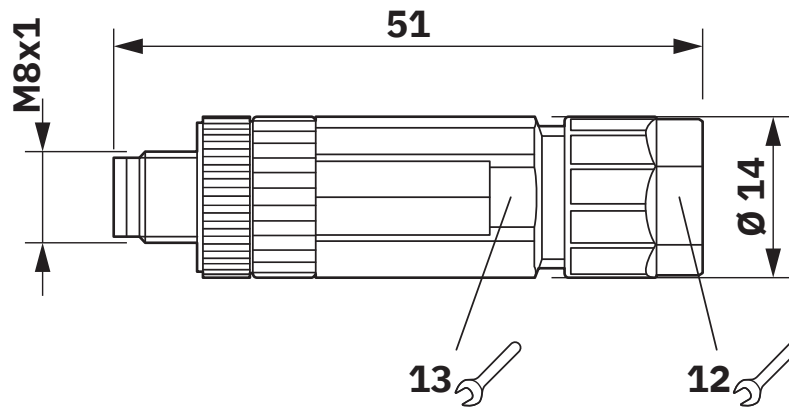
1482516

<https://www.phoenixcontact.com/au/products/1482516>

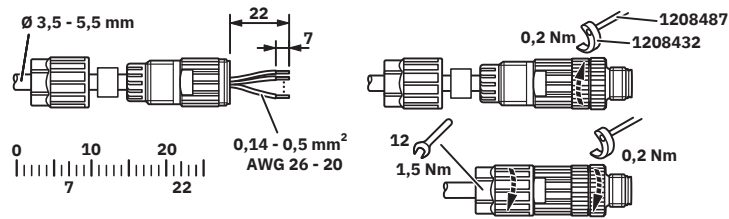


Drawings

Dimensional drawing



Functional drawing



SACC-M 8MS-3PL-M - Connector

1482516

<https://www.phoenixcontact.com/au/products/1482516>



Schematic diagram



Pin assignment M8 plug, 3-pos., view male side

SACC-M 8MS-3PL-M - Connector



1482516

<https://www.phoenixcontact.com/au/products/1482516>

Classifications

ECLASS

ECLASS-13.0

27440116

ETIM

ETIM 9.0

EC002635

SACC-M 8MS-3PL-M - Connector



1482516

<https://www.phoenixcontact.com/au/products/1482516>

Environmental product compliance

EU RoHS

| | |
|---|--------------------|
| Fulfills EU RoHS substance requirements | Yes, No exemptions |
|---|--------------------|

China RoHS

| | |
|--|--|
| Environment friendly use period (EFUP) | EFUP-E |
| | No hazardous substances above the limits |

EU REACH SVHC

| | |
|-------------------------------------|----------------------------|
| REACH candidate substance (CAS No.) | No substance above 0.1 wt% |
|-------------------------------------|----------------------------|

Phoenix Contact 2025 © - all rights reserved
<https://www.phoenixcontact.com>

PHOENIX CONTACT PTY Ltd
Unit 7, 2-8 South Street
Rydalmere NSW 2116
1300 786 411
customerservice@phoenixcontact.com.au