

SACC-M 8MS-4PL-M - Connector



1482520

<https://www.phoenixcontact.com/au/products/1482520>

Please be informed that the data shown in this PDF document is generated from our online catalog. Please find the complete data in the user documentation. Our general terms of use for downloads are valid.



Connector, Universal, 4-position, unshielded, Plug straight M8, coding: A, Push-lock spring connection, knurl material: Zinc die-cast, nickel-plated, external cable diameter 3.5 mm ... 5.5 mm

Your advantages

- Time-saving Push-Lock connection: Tool-free connection and disconnection of conductors by opening the contact levers
- Intuitive connection: Easy assignment of individual litz wires with color-coded and numerical identification of the contact levers
- Integrated Push-in Technology: Wire rigid and pretreated conductors easily by means of simple, direct insertion
- Shock- and vibration-resistant connection: Proven spring-cage technology guarantees secure and reliable contacting
- Safe use in the field, thanks to a high degree of protection

Commercial data

Item number	1482520
Packing unit	1 pc
Minimum order quantity	1 pc
Sales key	AF2BEA
Product key	AF2BEA
GTIN	4067923233652
Weight per piece (including packing)	13 g
Weight per piece (excluding packing)	22.22 g
Customs tariff number	85366990
Country of origin	DE

SACC-M 8MS-4PL-M - Connector



1482520

<https://www.phoenixcontact.com/au/products/1482520>

Technical data

Notes

Assembly note	NOTE: Observe the permissible bending radii when routing cables, since the degree of protection may be at risk if the bending forces are too high. Reduce mechanical loads upstream of the connector, e.g., by using cable ties.
General	The user must take appropriate safety precautions so that the connector cannot be accidentally loosened or opened. To protect against unintentional opening of the connector, the thread must be secured between the housing and the connector head using a suitable cyanoacrylate adhesive.

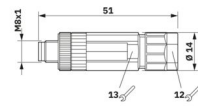
Product properties

Product type	Circular connector (cable-side)
Sensor type	Universal
Number of positions	4
No. of cable outlets	1
Shielded	no
Coding	A
Cable outlet	straight

Insulation characteristics

Overvoltage category	II
Degree of pollution	3

Dimensions

Dimensional drawing	
Width	14 mm
Height	14 mm
Length	51 mm

External dimensions

Outside diameter	3.5 mm ... 5.5 mm
------------------	-------------------

Housing

Diameter housing	14 mm
------------------	-------

Material specifications

Material	PBT PA 6 (Actuation lever)
Flammability rating according to UL 94	V0

SACC-M 8MS-4PL-M - Connector



1482520

<https://www.phoenixcontact.com/au/products/1482520>

Seal material	NBR
Material of grip body	PA 6.6
Contact material	CuSn
Contact surface material	Ni/Au
Contact carrier material	PA 6.6
Material for screw connection	Zinc die-cast, nickel-plated

Connection data

Conductor connection

Connection method	Push-lock spring connection
Connection cross section	0.14 mm ² ... 0.5 mm ²
Connection cross section AWG	26 ... 20
Stripping length of the individual wire	7 mm
Tightening torque	0.2 Nm (M8 knurl) 0.2 Nm (Connector with coupling sleeve) 1.5 Nm (Pressure nut with coupling sleeve)

Pin assignment

Contact Color (signal designation) Contact (optional)	1 = BN 2 = WH 3 = BU 4 = BK
---	--------------------------------------

Electrical properties

Nominal voltage U_N	30 V AC 30 V DC
Nominal current I_N	4 A

Mechanical properties

Mechanical data

Insertion/withdrawal cycles	≥ 100
-----------------------------	-------

Connector

Connection 1

Head design	Plug
Head cable outlet	straight
Head thread type	M8
Coding	A

Cable/line

Signal type/category	Universal
Stripping length of the individual wire	7 mm

Environmental and real-life conditions

SACC-M 8MS-4PL-M - Connector



1482520

<https://www.phoenixcontact.com/au/products/1482520>

Ambient conditions

Degree of protection	IP65
	IP67
Ambient temperature (operation)	-25 °C ... 85 °C (Plug / socket)

Standards and regulations

M8

Standard designation	M8 connector
Standards/specifications	IEC 61076-2-104

SACC-M 8MS-4PL-M - Connector

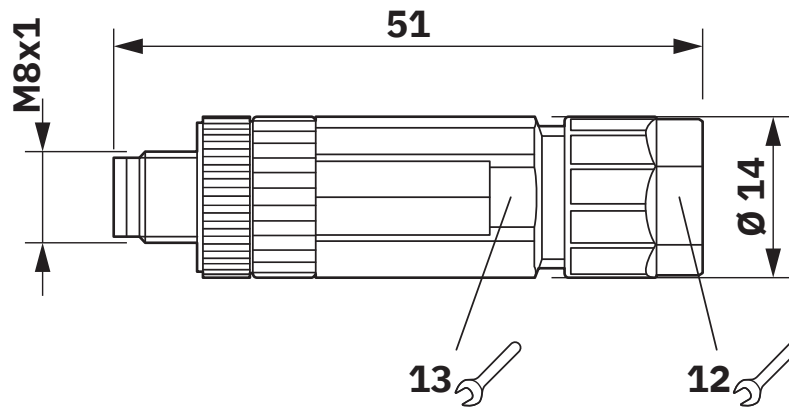
1482520

<https://www.phoenixcontact.com/au/products/1482520>

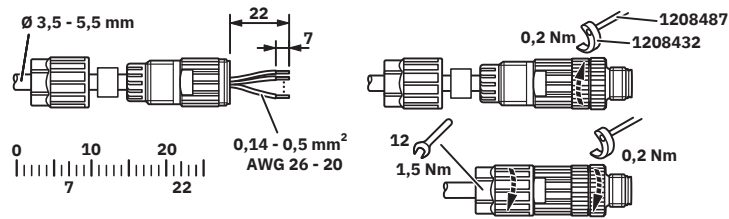


Drawings

Dimensional drawing



Functional drawing



SACC-M 8MS-4PL-M - Connector

1482520

<https://www.phoenixcontact.com/au/products/1482520>



Schematic diagram



Pin assignment M8 plug, 4-pos., view male side

SACC-M 8MS-4PL-M - Connector

1482520

<https://www.phoenixcontact.com/au/products/1482520>



Classifications

ECLASS

ECLASS-13.0

27440116

ETIM

ETIM 9.0

EC002635

SACC-M 8MS-4PL-M - Connector



1482520

<https://www.phoenixcontact.com/au/products/1482520>

Environmental product compliance

EU RoHS

Fulfills EU RoHS substance requirements	Yes, No exemptions
---	--------------------

China RoHS

Environment friendly use period (EFUP)	EFUP-E
	No hazardous substances above the limits

EU REACH SVHC

REACH candidate substance (CAS No.)	No substance above 0.1 wt%
-------------------------------------	----------------------------

Phoenix Contact 2025 © - all rights reserved
<https://www.phoenixcontact.com>

PHOENIX CONTACT PTY Ltd
Unit 7, 2-8 South Street
Rydalmere NSW 2116
1300 786 411
customerservice@phoenixcontact.com.au