

HC-EVO-B06-HHFS-PLBK - Housing



1407620

<https://www.phoenixcontact.com/au/products/1407620>

Please be informed that the data shown in this PDF document is generated from our online catalog. Please find the complete data in the user documentation. Our general terms of use for downloads are valid.



HEAVYCON EVO sleeve housing, plastic, with bayonet flange for EVO screw connection, B6, for single locking latch, height: 87.5 mm, without EVO screw connection

Your advantages

- Flexible cable outlet direction, lateral or straight
- Lower costs than metal version
- Low weight
- Lower risk of condensation

Commercial data

Item number	1407620
Packing unit	1 pc
Minimum order quantity	1 pc
Sales key	AF7APL
Product key	AF7APL
Catalog page	Page 598 (C-2-2019)
GTIN	4046356776820
Weight per piece (including packing)	79 g
Weight per piece (excluding packing)	77 g
Customs tariff number	85389099
Country of origin	PL

HC-EVO-B06-HHFS-PLBK - Housing



1407620

<https://www.phoenixcontact.com/au/products/1407620>

Technical data

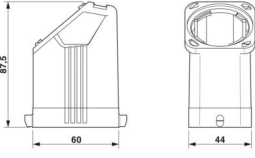
Notes

General	For contact inserts HC-B6, BB10, DD24, M Tall housings for extra large wiring space
---------	---

Product properties

Product type	Housing with locking latch
Housing type	Sleeve housing
Product family	HC-EVO-B
Application	Standard
Type	B6
No. of cable outlets	1
Type	Tall design
Cable outlet	straight
Pg screw connection	none

Dimensions

Dimensional drawing	
Width	44 mm
Height	87.5 mm
Length	60 mm

Material specifications

Flammability rating according to UL 94	V0 (Housing)
Housing material	PA 6.6-FR

Mechanical properties

Mechanical data

Locking type	Pin
--------------	-----

Mounting

Assembly note	The sleeve base housing must be supplemented with the EVO screw connection. The EVO screw connection is available in 4 sizes. It enables the creation of a straight or a lateral cable outlet. The EVO screw connection is assembled by hand or using a pipe wrench.
---------------	--

Environmental and real-life conditions

Ambient conditions

HC-EVO-B06-HHFS-PLBK - Housing



1407620

<https://www.phoenixcontact.com/au/products/1407620>

Degree of protection	IP66
Enclosure rating (NEMA)	12 (UL 50e)
Impact strength	IK08
Ambient temperature (operation)	-40 °C ... 125 °C

HC-EVO-B06-HHFS-PLBK - Housing

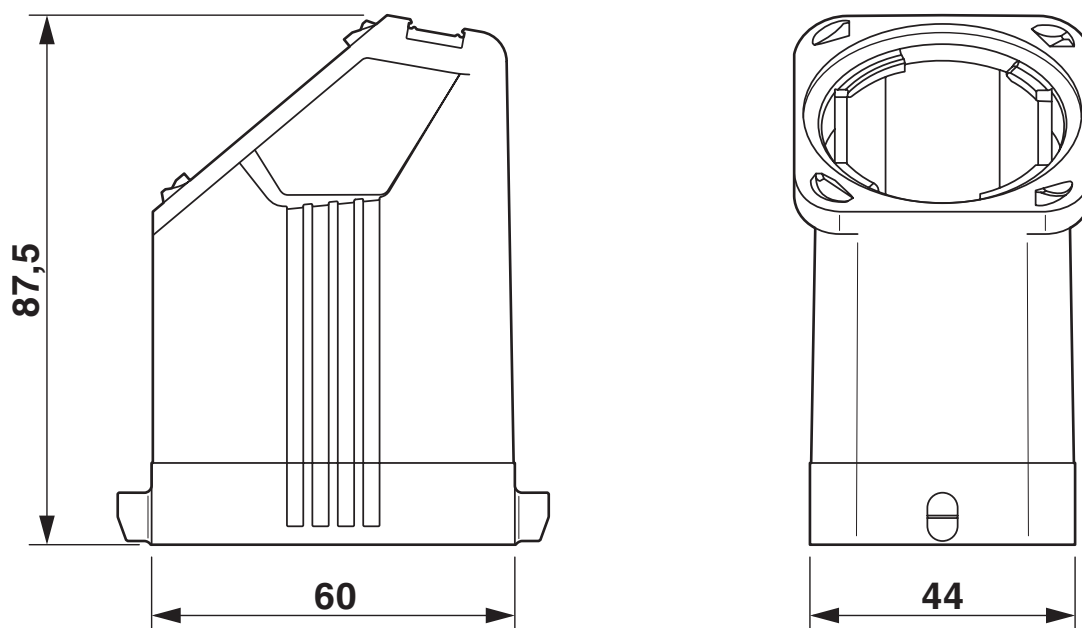
1407620

<https://www.phoenixcontact.com/au/products/1407620>



Drawings

Dimensional drawing



Dimensional drawing

HC-EVO-B06-HHFS-PLBK - Housing



1407620

<https://www.phoenixcontact.com/au/products/1407620>

Approvals

To download certificates, visit the product detail page: <https://www.phoenixcontact.com/au/products/1407620>

DNV

Approval ID: TAE000037S



cUL Recognized

Approval ID: E255026



UL Recognized

Approval ID: E255026



EAC

Approval ID: RU C-DE.AI30.B.01102

HC-EVO-B06-HHFS-PLBK - Housing



1407620

<https://www.phoenixcontact.com/au/products/1407620>

Classifications

ECLASS

ECLASS-13.0

27440202

ETIM

ETIM 9.0

EC000437

UNSPSC

UNSPSC 21.0

31261500

HC-EVO-B06-HHFS-PLBK - Housing



1407620

<https://www.phoenixcontact.com/au/products/1407620>

Environmental product compliance

EU RoHS

Fulfills EU RoHS substance requirements	Yes, No exemptions
---	--------------------

China RoHS

Environment friendly use period (EFUP)	EFUP-E
	No hazardous substances above the limits

EU REACH SVHC

REACH candidate substance (CAS No.)	No substance above 0.1 wt%
-------------------------------------	----------------------------

EF3.0 Climate Change

CO2e kg	0.611 kg CO2e
---------	---------------

Phoenix Contact 2025 © - all rights reserved
<https://www.phoenixcontact.com>

PHOENIX CONTACT PTY Ltd
Unit 7, 2-8 South Street
Rydalmere NSW 2116
1300 786 411
customerservice@phoenixcontact.com.au