

# HC-EVO-B10-HLFS-PLBK - Housing



1407626

<https://www.phoenixcontact.com/au/products/1407626>

Please be informed that the data shown in this PDF document is generated from our online catalog. Please find the complete data in the user documentation. Our general terms of use for downloads are valid.



HEAVYCON EVO sleeve housing, plastic, with bayonet flange for EVO screw connection, B10, for single locking latch, height: 60.5 mm, without EVO screw connection

## Your advantages

- Flexible cable outlet direction, lateral or straight
- Lower costs than metal version
- Low weight
- Lower risk of condensation

## Commercial data

Item number	1407626
Packing unit	1 pc
Minimum order quantity	1 pc
Sales key	AF7APL
Product key	AF7APL
Catalog page	Page 604 (C-2-2019)
GTIN	4046356776882
Weight per piece (including packing)	70.2 g
Weight per piece (excluding packing)	70 g
Customs tariff number	85389099
Country of origin	PL

# HC-EVO-B10-HLFS-PLBK - Housing



1407626

<https://www.phoenixcontact.com/au/products/1407626>

## Technical data

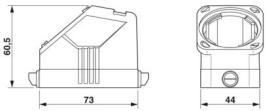
### Notes

General	For contact inserts HC-B10, BB18, DD42, M, K8/24, HV03-I-PT, HC- 3-E...C
---------	--

### Product properties

Product type	Housing with locking latch
Housing type	Sleeve housing
Product family	HC-EVO-B
Application	Standard
Type	B10
No. of cable outlets	1
Type	Low design
Cable outlet	straight
Pg screw connection	none

### Dimensions

Dimensional drawing	
Width	44 mm
Height	60.5 mm
Length	73 mm

### Material specifications

Flammability rating according to UL 94	V0 (Housing)
Housing material	PA 6.6-FR

### Mechanical properties

#### Mechanical data

Locking type	Pin
--------------	-----

### Mounting

Assembly note	The sleeve base housing must be supplemented with the EVO screw connection. The EVO screw connection is available in four sizes. It facilitates the creation of a straight or a side cable outlet. The EVO screw connection is mounted with the aid of, for example, a pipe wrench
---------------	--

### Environmental and real-life conditions

#### Ambient conditions

Degree of protection	IP66
----------------------	------

# HC-EVO-B10-HLFS-PLBK - Housing



1407626

<https://www.phoenixcontact.com/au/products/1407626>

Enclosure rating (NEMA)	12 (UL 50e)
Impact strength	IK08
Ambient temperature (operation)	-40 °C ... 125 °C

# HC-EVO-B10-HLFS-PLBK - Housing

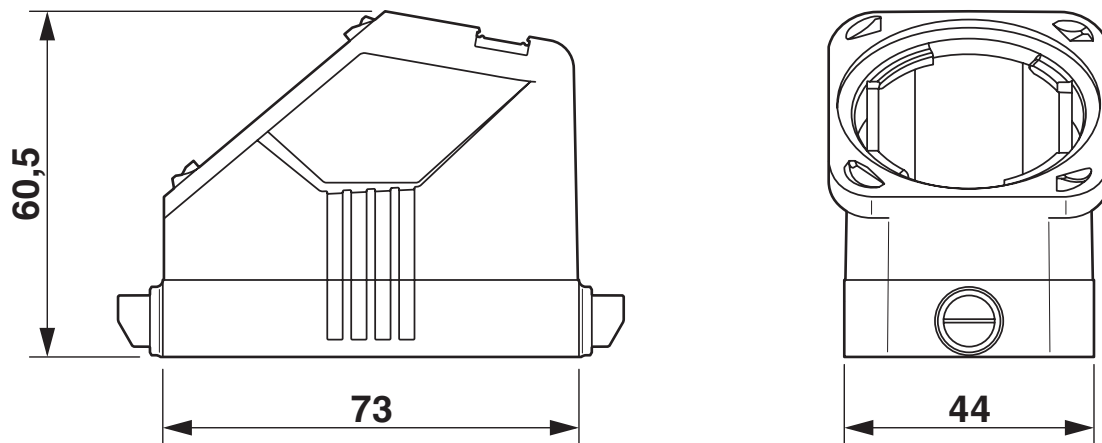
1407626

<https://www.phoenixcontact.com/au/products/1407626>



## Drawings

Dimensional drawing



Dimensional drawing

# HC-EVO-B10-HLFS-PLBK - Housing



1407626

<https://www.phoenixcontact.com/au/products/1407626>

## Approvals

To download certificates, visit the product detail page: <https://www.phoenixcontact.com/au/products/1407626>

**DNV**

Approval ID: TAE000037S



**cUL Recognized**

Approval ID: E255026



**UL Recognized**

Approval ID: E255026



**EAC**

Approval ID: RU C-DE.AI30.B.01102

# HC-EVO-B10-HLFS-PLBK - Housing



1407626

<https://www.phoenixcontact.com/au/products/1407626>

## Classifications

### ECLASS

ECLASS-13.0

27440202

### ETIM

ETIM 9.0

EC000437

### UNSPSC

UNSPSC 21.0

31261500

1407626

<https://www.phoenixcontact.com/au/products/1407626>

## Environmental product compliance

### EU RoHS

Fulfills EU RoHS substance requirements	Yes, No exemptions
---	--------------------

### China RoHS

Environment friendly use period (EFUP)	EFUP-E
	No hazardous substances above the limits

### EU REACH SVHC

REACH candidate substance (CAS No.)	No substance above 0.1 wt%
-------------------------------------	----------------------------

### EF3.0 Climate Change

CO2e kg	0.577 kg CO2e
---------	---------------

Phoenix Contact 2025 © - all rights reserved  
<https://www.phoenixcontact.com>

PHOENIX CONTACT PTY Ltd  
Unit 7, 2-8 South Street  
Rydalmere NSW 2116  
1300 786 411  
[customerservice@phoenixcontact.com.au](mailto:customerservice@phoenixcontact.com.au)