

# HC-EVO-B16-BWD-PLRBK - Housing



1407648

<https://www.phoenixcontact.com/au/products/1407648>

Please be informed that the data shown in this PDF document is generated from our online catalog. Please find the complete data in the user documentation. Our general terms of use for downloads are valid.



HEAVYCON EVO panel mounting base, plastic, B16, with double locking latch, height: 30.5 mm, with flat gasket

## Your advantages

- Lower costs than metal version
- Low weight
- Lower risk of condensation

## Commercial data

Item number	1407648
Packing unit	1 pc
Minimum order quantity	1 pc
Sales key	AF7APL
Product key	AF7APL
Catalog page	Page 622 (C-2-2019)
GTIN	4046356777117
Weight per piece (including packing)	92 g
Weight per piece (excluding packing)	92 g
Customs tariff number	85389099
Country of origin	PL

# HC-EVO-B16-BWD-PLRBK - Housing



1407648

<https://www.phoenixcontact.com/au/products/1407648>

## Technical data

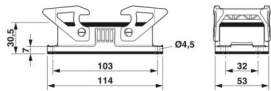
### Notes

General	For contact inserts HC-B16, BB32, D40, DD72, HS6, HV6, M, K, HV06-I-PR, HV 6-E...C
---------	--

### Product properties

Product type	Housing with locking latch
Housing type	Panel mounting base
Product family	HC-EVO-B
Application	Standard
Type	B16
Pg screw connection	none

### Dimensions

Dimensional drawing	
Width	53 mm
Height	30.5 mm
Length	114 mm
Hole diameter	4.5 mm

### Installation dimensions

Width of the assembly cutout	35 mm
Length of the assembly cutout	86 mm

### Material specifications

Flammability rating according to UL 94	V0 (Housing)
	V0 (Interlock)
Seal material	NBR
	NBR
Housing material	PA 6.6-FR
Locking latch material	PA

### Mechanical properties

#### Mechanical data

Locking type	Latch
--------------	-------

### Connection data

Tightening torque	0.8 Nm ... 1.2 Nm (For M4 mounting screws on the panel-mount base)
-------------------	--

### Mounting

# HC-EVO-B16-BWD-PLRBK - Housing



1407648

<https://www.phoenixcontact.com/au/products/1407648>

Assembly note	Not for D series terminal adapters
	Not for HC-B 24-ADP-B..... adapter plates

## Environmental and real-life conditions

### Ambient conditions

Degree of protection	IP66
Enclosure rating (NEMA)	12 (UL 50e)
Impact strength	IK09
Ambient temperature (operation)	-40 °C ... 125 °C

# HC-EVO-B16-BWD-PLRBK - Housing

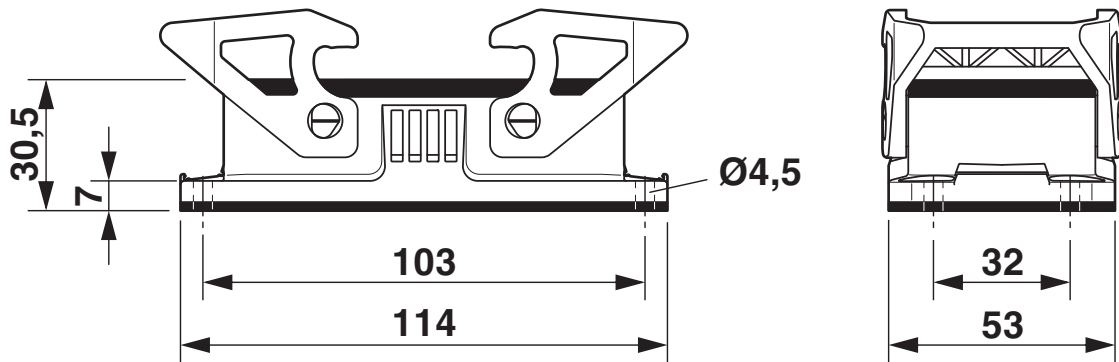


1407648

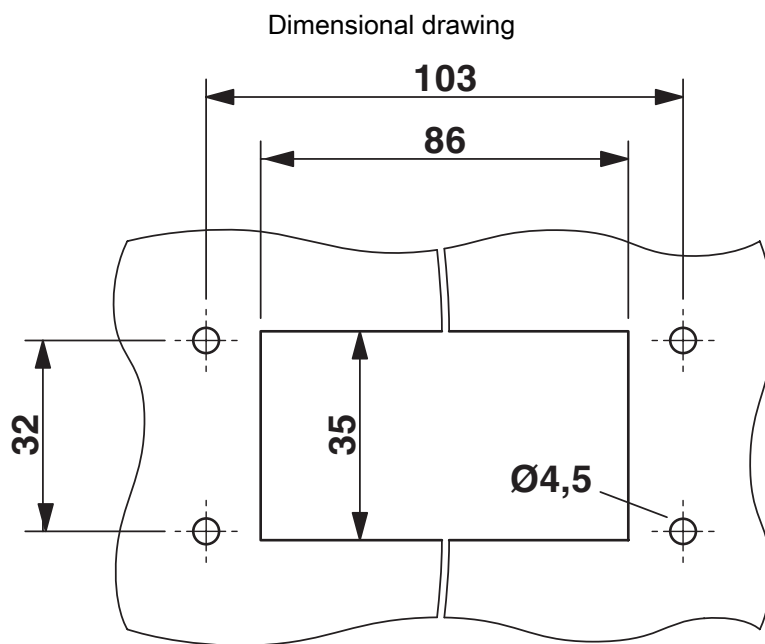
<https://www.phoenixcontact.com/au/products/1407648>

## Drawings

Dimensional drawing



Dimensional drawing




Mounting cutout

1407648

<https://www.phoenixcontact.com/au/products/1407648>

## Approvals

 To download certificates, visit the product detail page: <https://www.phoenixcontact.com/au/products/1407648>

### DNV

Approval ID: TAE000037S



### cUL Recognized

Approval ID: E255026



### UL Recognized

Approval ID: E255026



### EAC

Approval ID: RU C-DE.AI30.B.01102

# HC-EVO-B16-BWD-PLRBK - Housing



1407648

<https://www.phoenixcontact.com/au/products/1407648>

## Classifications

### ECLASS

ECLASS-13.0

27440202

### ETIM

ETIM 9.0

EC000437

### UNSPSC

UNSPSC 21.0

31261500

1407648

<https://www.phoenixcontact.com/au/products/1407648>

## Environmental product compliance

### EU RoHS

Fulfills EU RoHS substance requirements	Yes, No exemptions
---	--------------------

### China RoHS

Environment friendly use period (EFUP)	EFUP-E
	No hazardous substances above the limits

### EU REACH SVHC

REACH candidate substance (CAS No.)	No substance above 0.1 wt%
-------------------------------------	----------------------------

### EF3.0 Climate Change

CO2e kg	1.004 kg CO2e
---------	---------------

Phoenix Contact 2025 © - all rights reserved  
<https://www.phoenixcontact.com>

PHOENIX CONTACT PTY Ltd  
Unit 7, 2-8 South Street  
Rydalmere NSW 2116  
1300 786 411  
[customerservice@phoenixcontact.com.au](mailto:customerservice@phoenixcontact.com.au)