

# HC-STA-D07-BAWS-EL-AL - Housing

1419252

<https://www.phoenixcontact.com/au/products/1419252>

Please be informed that the data shown in this PDF document is generated from our online catalog. Please find the complete data in the user documentation. Our general terms of use for downloads are valid.



Panel mounting base D7, with single locking latch, material: Die-cast aluminum, salt water resistant, height: 28.5 mm, cable gland: none, Standard, angled

## Commercial data

Item number	1419252
Packing unit	1 pc
Minimum order quantity	1 pc
Sales key	AF7APF
Product key	AF7APF
Catalog page	Page 517 (C-2-2019)
GTIN	4055626159836
Weight per piece (including packing)	29.3 g
Weight per piece (excluding packing)	29.3 g
Customs tariff number	85389099
Country of origin	CN

# HC-STA-D07-BAWS-EL-AL - Housing



1419252

<https://www.phoenixcontact.com/au/products/1419252>

## Technical data

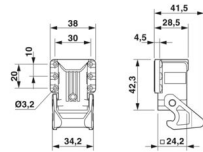
### Notes

General	for contact inserts HC-A03, A04, D07, D08, Q02, Q03, Q04, Q05, Q07, Q12
---------	-------------------------------------------------------------------------

### Product properties

Product type	Housing with locking latch
Housing type	Panel mounting base
Product family	HC-STA-D07
Application	Standard
Type	D7
Shielded	no
Pg screw connection	none

### Dimensions

Dimensional drawing	
Width	38 mm
Height	28.5 mm
Length	24.2 mm
Hole diameter	3.2 mm

### Installation dimensions

Width of the assembly cutout	21 mm
Length of the assembly cutout	21 mm

### Material specifications

Flammability rating according to UL 94	V0 (Interlock)
Seal material Flat gasket	NBR, conductive
Housing material	Die-cast aluminum, salt water resistant
Housing surface material	uncoated
Locking latch material	PA

### Mechanical properties

#### Mechanical data

Locking type	Latch
--------------	-------

### Connection data

Tightening torque	0.5 Nm ... 0.8 Nm (For M3 mounting screws on the panel-mount base)
-------------------	--------------------------------------------------------------------

# HC-STA-D07-BAWS-EL-AL - Housing



1419252

<https://www.phoenixcontact.com/au/products/1419252>

## Environmental and real-life conditions

### Ambient conditions

Degree of protection	IP66
	IP67
Enclosure rating (NEMA)	4 (UL 50e)
	4X (UL 50e)
Impact strength	IK06
Ambient temperature (operation)	-40 °C ... 125 °C

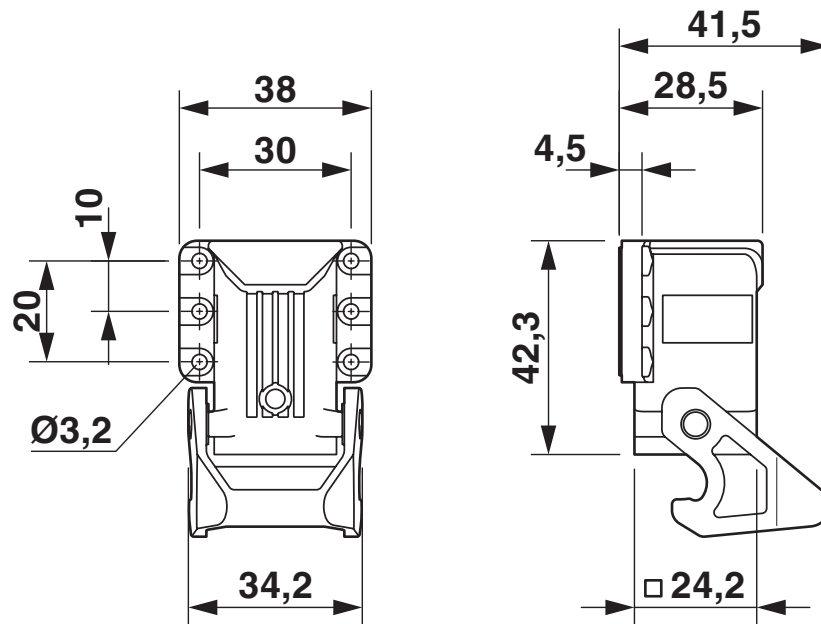
# HC-STA-D07-BAWS-EL-AL - Housing

1419252

<https://www.phoenixcontact.com/au/products/1419252>

## Drawings

Dimensional drawing



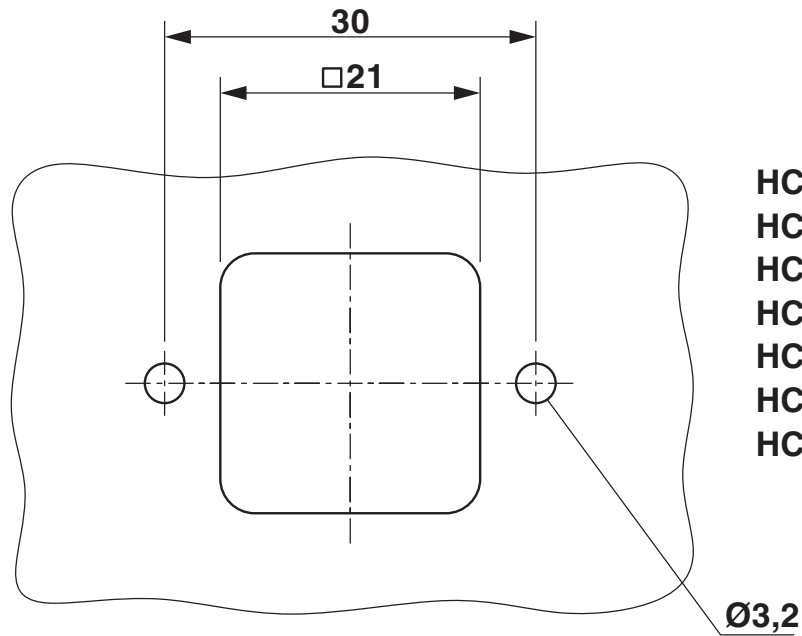
Dimensional drawing

# HC-STA-D07-BAWS-EL-AL - Housing

1419252

<https://www.phoenixcontact.com/au/products/1419252>

Dimensional drawing



- HC-A03
- HC-A04
- HC-D07
- HC-D08
- HC-Q05
- HC-Q07
- HC-Q12



- HC-Q02
- HC-Q03
- HC-Q04

Mounting cutout

# HC-STA-D07-BAWS-EL-AL - Housing



1419252

<https://www.phoenixcontact.com/au/products/1419252>

## Approvals

🔗 To download certificates, visit the product detail page: <https://www.phoenixcontact.com/au/products/1419252>

**DNV**

Approval ID: TAE000037S



**cUL Recognized**

Approval ID: E255026



**UL Recognized**

Approval ID: E255026

# HC-STA-D07-BAWS-EL-AL - Housing



1419252

<https://www.phoenixcontact.com/au/products/1419252>

## Classifications

### ECLASS

ECLASS-13.0

27440202

### ETIM

ETIM 9.0

EC000437

### UNSPSC

UNSPSC 21.0

31261500

# HC-STA-D07-BAWS-EL-AL - Housing



1419252

<https://www.phoenixcontact.com/au/products/1419252>

## Environmental product compliance

### EU RoHS

Fulfills EU RoHS substance requirements	Yes, No exemptions
-----------------------------------------	--------------------

### China RoHS

Environment friendly use period (EFUP)	EFUP-E
	No hazardous substances above the limits

### EU REACH SVHC

REACH candidate substance (CAS No.)	No substance above 0.1 wt%
-------------------------------------	----------------------------

Phoenix Contact 2025 © - all rights reserved  
<https://www.phoenixcontact.com>

PHOENIX CONTACT PTY Ltd  
Unit 7, 2-8 South Street  
Rydalmere NSW 2116  
1300 786 411  
[customerservice@phoenixcontact.com.au](mailto:customerservice@phoenixcontact.com.au)