

HC-STA-D07-HHFS-1TGM25-PL-BK - Housing



1419256

<https://www.phoenixcontact.com/au/products/1419256>

Please be informed that the data shown in this PDF document is generated from our online catalog. Please find the complete data in the user documentation. Our general terms of use for downloads are valid.



Sleeve housing D7, for single locking latch, material: PA, cable outlets: 1, straight, M25, height: 81.8 mm, cable gland: with, Standard

Commercial data

Item number	1419256
Packing unit	1 pc
Minimum order quantity	1 pc
Sales key	AF7APD
Product key	AF7APD
Catalog page	Page 514 (C-2-2019)
GTIN	4055626159973
Weight per piece (including packing)	31.3 g
Weight per piece (excluding packing)	30.9 g
Customs tariff number	85389099
Country of origin	CN

Technical data

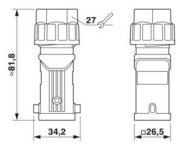
Notes

General	for contact inserts HC-A03, A04, D07, D08, Q02, Q03, Q04, Q05, Q07, Q12
---------	---

Product properties

Product type	Housing with locking latch
Housing type	Sleeve housing
Product family	HC-STA-D07
Application	Standard
Type	D7
No. of cable outlets	1
Type of the screw connection	M25
Shielded	no
Cable outlet	straight
Pg screw connection	with

Dimensions

Dimensional drawing	
Width	34.2 mm
Height	81.8 mm
Length	26.5 mm
Wrench size, union nut	27 mm

Material specifications

Flammability rating according to UL 94	V0 (Housing)
Housing material	PA
Locking latch material	PA

Mechanical properties

Mechanical data

Type of the screw connection	M25
Locking type	Pin

Cable/line

External cable diameter Cable 1	10 mm ... 16 mm
---------------------------------	-----------------

Connection data

External cable diameter	10 mm ... 16 mm
-------------------------	-----------------

HC-STA-D07-HHFS-1TGM25-PL-BK - Housing



1419256

<https://www.phoenixcontact.com/au/products/1419256>

Tightening torque	Locking screw
-------------------	---------------

Environmental and real-life conditions

Ambient conditions

Degree of protection	IP66
Enclosure rating (NEMA)	4 (UL)
	4X (UL)
Impact strength	IK06
Ambient temperature (operation)	-40 °C ... 125 °C

HC-STA-D07-HHFS-1TGM25-PL-BK - Housing

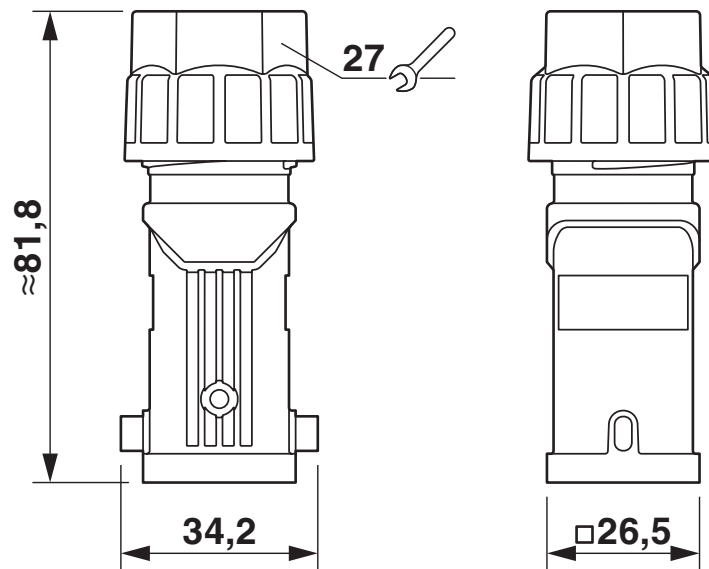
1419256

<https://www.phoenixcontact.com/au/products/1419256>



Drawings

Dimensional drawing



Dimensional drawing

HC-STA-D07-HHFS-1TGM25-PL-BK - Housing



1419256

<https://www.phoenixcontact.com/au/products/1419256>

Approvals

To download certificates, visit the product detail page: <https://www.phoenixcontact.com/au/products/1419256>

DNV

Approval ID: TAE000037S



cULus Recognized

Approval ID: E468743

1419256

<https://www.phoenixcontact.com/au/products/1419256>

Classifications

ECLASS

ECLASS-13.0

27440202

ETIM

ETIM 9.0

EC000437

UNSPSC

UNSPSC 21.0

31261500

1419256

<https://www.phoenixcontact.com/au/products/1419256>

Environmental product compliance

EU RoHS

Fulfills EU RoHS substance requirements	Yes, No exemptions
---	--------------------

China RoHS

Environment friendly use period (EFUP)	EFUP-E
	No hazardous substances above the limits

EU REACH SVHC

REACH candidate substance (CAS No.)	No substance above 0.1 wt%
-------------------------------------	----------------------------

Phoenix Contact 2025 © - all rights reserved
<https://www.phoenixcontact.com>

PHOENIX CONTACT PTY Ltd
Unit 7, 2-8 South Street
Rydalmere NSW 2116
1300 786 411
customerservice@phoenixcontact.com.au