

HC-STA-B24-BWD-ELC-AL - Housing



1411331

<https://www.phoenixcontact.com/au/products/1411331>

Please be informed that the data shown in this PDF document is generated from our online catalog. Please find the complete data in the user documentation. Our general terms of use for downloads are valid.



HEAVYCON B24 panel mounting base, with double locking latch, with flat gasket, salt-water-resistant aluminum, conductive profile gasket

Your advantages

- Good shielding in the event of electromagnetic interference

Commercial data

Item number	1411331
Packing unit	1 pc
Minimum order quantity	1 pc
Sales key	AF7APB
Product key	AF7APB
Catalog page	Page 637 (C-2-2019)
GTIN	4046356927512
Weight per piece (including packing)	133 g
Weight per piece (excluding packing)	133 g
Customs tariff number	85389099
Country of origin	CN

1411331

<https://www.phoenixcontact.com/au/products/1411331>

Technical data

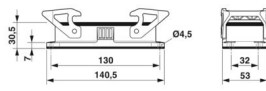
Notes

General	For contact inserts HC-B24, BB46, D64, DD108, M
General	also available as a powder-coated or color version: 1373289 HC-STA-B24-BWD-EL/.../...

Product properties

Product type	Housing with locking latch
Housing type	Panel mounting base
Application	Standard
Type	B24
Pg screw connection	none

Dimensions

Dimensional drawing	
Width	53 mm
Height	30.5 mm
Length	140.5 mm
Drill hole distance, horizontal	130 mm
Drill hole distance, vertical	32 mm
Hole diameter	4.5 mm

Installation dimensions

Width of the assembly cutout	35 mm
Length of the assembly cutout	113 mm

Material specifications

Flammability rating according to UL 94	V0 (Interlock)
Seal material	NBR, conductive NBR, conductive
Housing material	Die-cast aluminum, salt water resistant
Housing surface material	uncoated
Locking latch material	Polyamide

Mechanical properties

Mechanical data

Locking type	Latch
--------------	-------

Connection data

Tightening torque	0.8 Nm ... 1.2 Nm (For M4 mounting screws on the panel-mount base)
-------------------	--------------------------------------------------------------------

HC-STA-B24-BWD-ELC-AL - Housing



1411331

<https://www.phoenixcontact.com/au/products/1411331>

Environmental and real-life conditions

Ambient conditions

Degree of protection	IP66
	IP67
Enclosure rating (NEMA)	4 (UL 50e)
	4X (UL 50e)
	12 (UL 50e)
Impact strength	IK09
Ambient temperature (operation)	-40 °C ... 125 °C

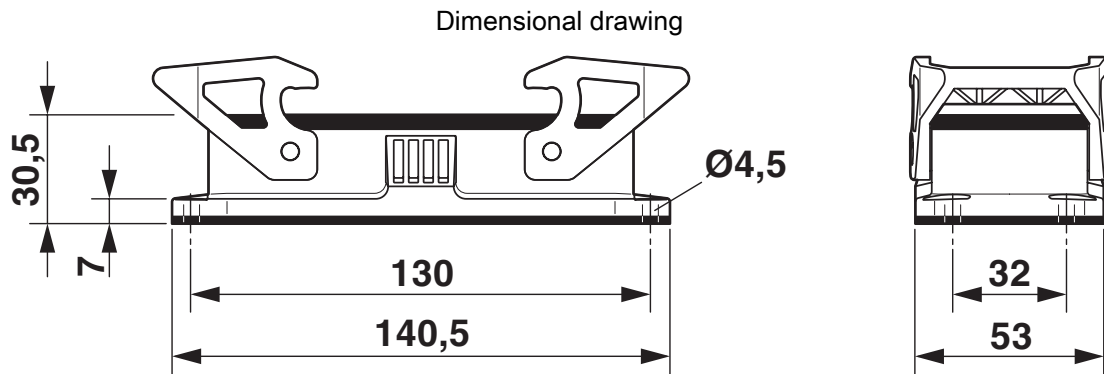
HC-STA-B24-BWD-ELC-AL - Housing



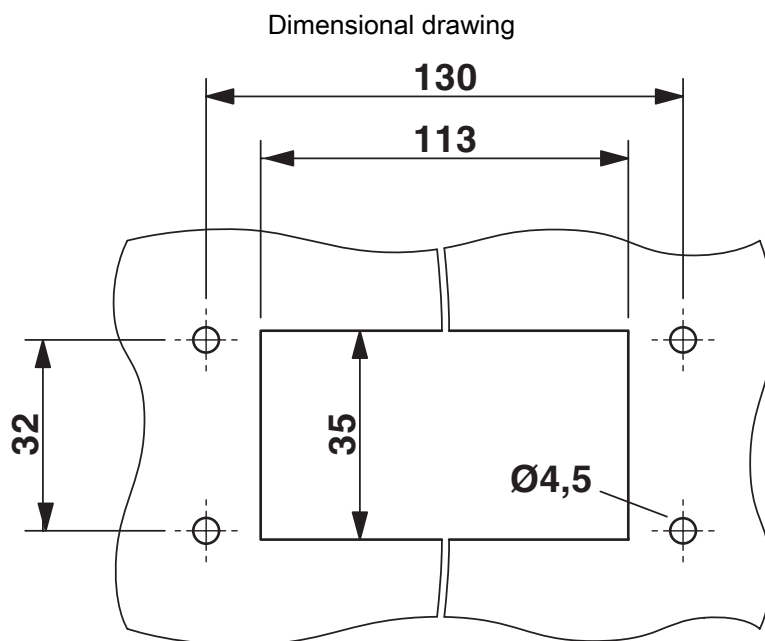
1411331

<https://www.phoenixcontact.com/au/products/1411331>

Drawings



Dimensional drawing



Mounting cutout

1411331

<https://www.phoenixcontact.com/au/products/1411331>

Approvals

🔗 To download certificates, visit the product detail page: <https://www.phoenixcontact.com/au/products/1411331>

DNV

Approval ID: TAE000037S



cUL Recognized

Approval ID: E255026



UL Recognized

Approval ID: E255026

HC-STA-B24-BWD-ELC-AL - Housing



1411331

<https://www.phoenixcontact.com/au/products/1411331>

Classifications

ECLASS

ECLASS-13.0

27440202

ETIM

ETIM 9.0

EC000437

UNSPSC

UNSPSC 21.0

31261500

HC-STA-B24-BWD-ELC-AL - Housing



1411331

<https://www.phoenixcontact.com/au/products/1411331>

Environmental product compliance

EU RoHS

Fulfills EU RoHS substance requirements	Yes, No exemptions
-----------------------------------------	--------------------

China RoHS

Environment friendly use period (EFUP)	EFUP-E
	No hazardous substances above the limits

EU REACH SVHC

REACH candidate substance (CAS No.)	No substance above 0.1 wt%
-------------------------------------	----------------------------

Phoenix Contact 2025 © - all rights reserved
<https://www.phoenixcontact.com>

PHOENIX CONTACT PTY Ltd
Unit 7, 2-8 South Street
Rydalmere NSW 2116
1300 786 411
customerservice@phoenixcontact.com.au