

# HC-STA-B10-HLWD-1TTM25-EL-AL - Housing



1412638

<https://www.phoenixcontact.com/au/products/1412638>

Please be informed that the data shown in this PDF document is generated from our online catalog. Please find the complete data in the user documentation. Our general terms of use for downloads are valid.



Sleeve housing B10, with double locking latch, material: Die-cast aluminum, salt water resistant, cable outlets: 1, straight, 1x M25, height: 57 mm, cable gland: none, Standard

## Your advantages

- Good shielding in the event of electromagnetic interference

## Commercial data

Item number	1412638
Packing unit	1 pc
Minimum order quantity	1 pc
Sales key	AF7APB
Product key	AF7APB
Catalog page	Page 614 (C-2-2019)
GTIN	4055626059648
Weight per piece (including packing)	173.1 g
Weight per piece (excluding packing)	167.4 g
Customs tariff number	85389099
Country of origin	CN

# HC-STA-B10-HLWD-1TTM25-EL-AL - Housing



1412638

<https://www.phoenixcontact.com/au/products/1412638>

## Technical data

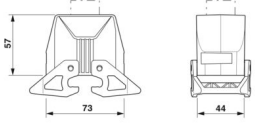
### Notes

General	for contact inserts HC-B10, BB18, DD42, M, K8/24, HV03
General	also available as a powder-coated or color version: 1372772 HC-STA-B10-HLWD-1TTM25-EL/...

### Product properties

Product type	Housing with locking latch
Housing type	Sleeve housing
Application	Standard
Type	B10
No. of cable outlets	1
Type of the screw connection	1x M25
Type	Low design
Cable outlet	straight
Pg screw connection	none

### Dimensions

Dimensional drawing	
Width	44 mm
Height	57 mm
Length	73 mm

### Material specifications

Flammability rating according to UL 94	V0 (Interlock)
Housing material	Die-cast aluminum, salt water resistant
Housing surface material	uncoated
Locking latch material	PA

### Mechanical properties

#### Mechanical data

Type of the screw connection	1x M25
Locking type	Latch

### Environmental and real-life conditions

#### Ambient conditions

Degree of protection	IP66
	IP67

# HC-STA-B10-HLWD-1TTM25-EL-AL - Housing



1412638

<https://www.phoenixcontact.com/au/products/1412638>

Enclosure rating (NEMA)	4 (UL 50e)
	4X (UL 50e)
	12 (UL 50e)
Impact strength	IK09
Ambient temperature (operation)	-40 °C ... 125 °C

# HC-STA-B10-HLWD-1TTM25-EL-AL - Housing

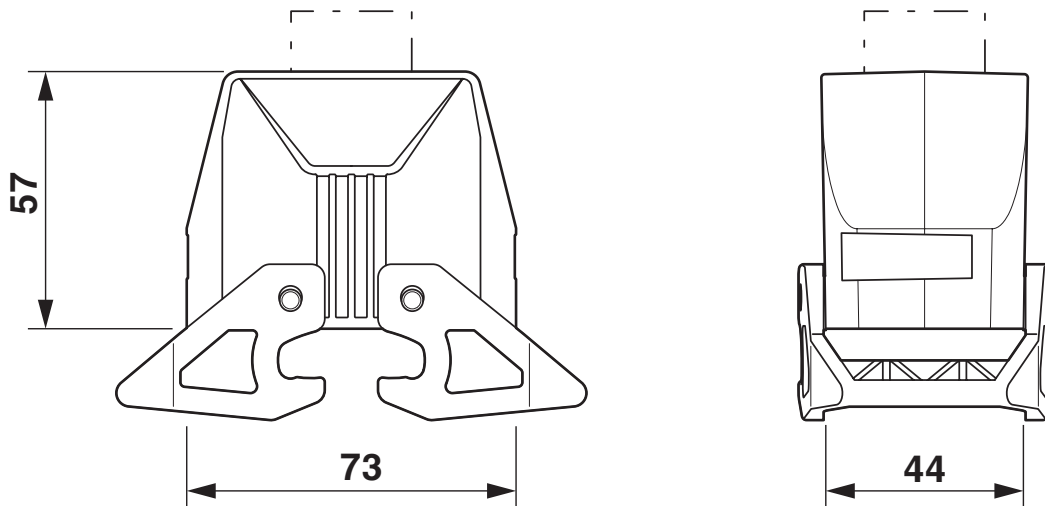
1412638

<https://www.phoenixcontact.com/au/products/1412638>



## Drawings

Dimensional drawing



Dimensional drawing

# HC-STA-B10-HLWD-1TTM25-EL-AL - Housing



1412638

<https://www.phoenixcontact.com/au/products/1412638>

## Approvals

🔗 To download certificates, visit the product detail page: <https://www.phoenixcontact.com/au/products/1412638>

**DNV**

Approval ID: TAE000037S

**ENEC**

**EAC**

Approval ID: RU C-DE.AI30.B.01102

# HC-STA-B10-HLWD-1TTM25-EL-AL - Housing



1412638

<https://www.phoenixcontact.com/au/products/1412638>

## Classifications

### ECLASS

ECLASS-13.0

27440202

### ETIM

ETIM 9.0

EC000437

### UNSPSC

UNSPSC 21.0

31261500

1412638

<https://www.phoenixcontact.com/au/products/1412638>

## Environmental product compliance

### EU RoHS

Fulfills EU RoHS substance requirements	Yes, No exemptions
---	--------------------

### China RoHS

Environment friendly use period (EFUP)	EFUP-E
	No hazardous substances above the limits

### EU REACH SVHC

REACH candidate substance (CAS No.)	No substance above 0.1 wt%
-------------------------------------	----------------------------

### EF3.0 Climate Change

CO2e kg	3.002 kg CO2e
---------	---------------

Phoenix Contact 2025 © - all rights reserved  
<https://www.phoenixcontact.com>

PHOENIX CONTACT PTY Ltd  
Unit 7, 2-8 South Street  
Rydalmere NSW 2116  
1300 786 411  
[customerservice@phoenixcontact.com.au](mailto:customerservice@phoenixcontact.com.au)