

HC-STA-B10-SLWD-2SSM20-ELC-AL - Housing



1412835

<https://www.phoenixcontact.com/au/products/1412835>

Please be informed that the data shown in this PDF document is generated from our online catalog. Please find the complete data in the user documentation. Our general terms of use for downloads are valid.



Surface mounting housing B10, with double locking latch, material: Die-cast aluminum, salt water resistant, cable outlets: 2, lateral, 2x M20, height: 54 mm, cable gland: none, Standard

Your advantages

- Good shielding in the event of electromagnetic interference

Commercial data

Item number	1412835
Packing unit	1 pc
Minimum order quantity	1 pc
Sales key	AF7APB
Product key	AF7APB
Catalog page	Page 609 (C-2-2019)
GTIN	4055626060934
Weight per piece (including packing)	211.4 g
Weight per piece (excluding packing)	211.4 g
Customs tariff number	85389099
Country of origin	CN

HC-STA-B10-SLWD-2SSM20-ELC-AL - Housing



1412835

<https://www.phoenixcontact.com/au/products/1412835>

Technical data

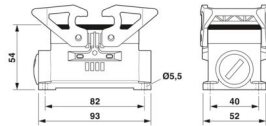
Notes

General	For contact inserts HC-B10, BB18, DD42, M, K8/24
General	also available as a powder-coated or color version: 1372791 HC-STA-B10-SLWD-2SSM20-EL/.../...

Product properties

Product type	Housing with locking latch
Housing type	Surface mounting housing
Application	Standard
Type	B10
No. of cable outlets	2
Type of the screw connection	2x M20
Type	Low design
Cable outlet	lateral
Pg screw connection	none

Dimensions

Dimensional drawing	
Width	52 mm
Height	54 mm
Length	92 mm
Hole diameter	5.5 mm

Material specifications

Flammability rating according to UL 94	V0 (Interlock)
Seal material	NBR, conductive
Housing material	Die-cast aluminum, salt water resistant
Housing surface material	uncoated
Locking latch material	PA

Mechanical properties

Mechanical data

Type of the screw connection	2x M20
Locking type	Latch

Connection data

Tightening torque	2 Nm ... 3 Nm (for M5 mounting screws on the surface-mount housing)
-------------------	---

1412835

<https://www.phoenixcontact.com/au/products/1412835>

Mounting

Assembly note	One opening is sealed with a plastic filler plug and can be opened using a screwdriver.
---------------	---

Environmental and real-life conditions

Ambient conditions

Degree of protection	IP66
	IP67
Enclosure rating (NEMA)	4 (UL 50e)
	4X (UL 50e)
	12 (UL 50e)
Impact strength	IK09
Ambient temperature (operation)	-40 °C ... 125 °C

HC-STA-B10-SLWD-2SSM20-ELC-AL - Housing

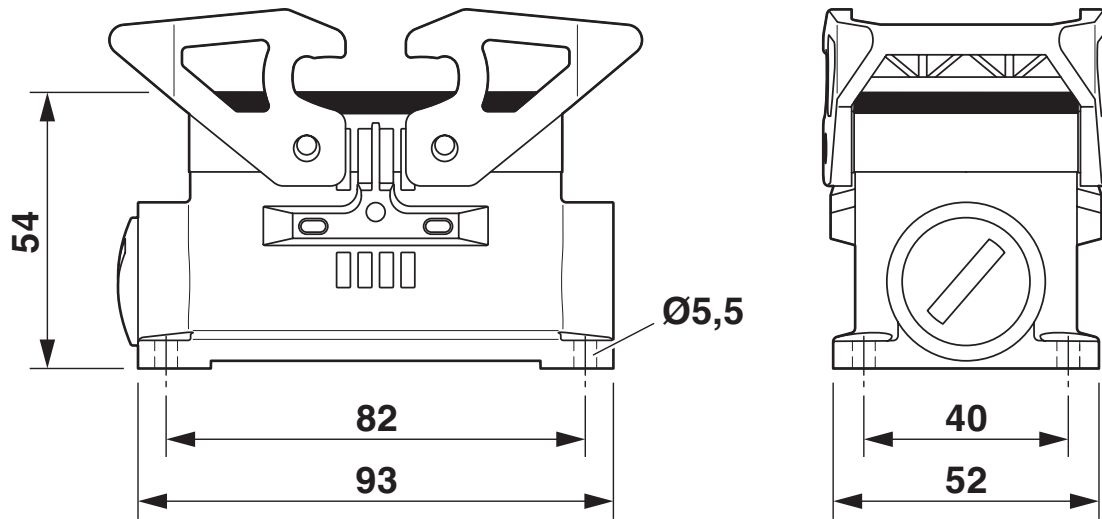


1412835

<https://www.phoenixcontact.com/au/products/1412835>

Drawings

Dimensional drawing



Dimensional drawing

1412835

<https://www.phoenixcontact.com/au/products/1412835>

Approvals

To download certificates, visit the product detail page: <https://www.phoenixcontact.com/au/products/1412835>

DNV

Approval ID: TAE000037S



cUL Recognized

Approval ID: E255026



UL Recognized

Approval ID: E255026



EAC

Approval ID: RU C-DE.AI30.B.01102

1412835

<https://www.phoenixcontact.com/au/products/1412835>

Classifications

ECLASS

ECLASS-13.0

27440202

ETIM

ETIM 9.0

EC000437

UNSPSC

UNSPSC 21.0

31261500

1412835

<https://www.phoenixcontact.com/au/products/1412835>

Environmental product compliance

EU RoHS

Fulfills EU RoHS substance requirements	Yes, No exemptions
---	--------------------

China RoHS

Environment friendly use period (EFUP)	EFUP-E
	No hazardous substances above the limits

EU REACH SVHC

REACH candidate substance (CAS No.)	No substance above 0.1 wt%
-------------------------------------	----------------------------

EF3.0 Climate Change

CO2e kg	4.481 kg CO2e
---------	---------------

Phoenix Contact 2025 © - all rights reserved
<https://www.phoenixcontact.com>

PHOENIX CONTACT PTY Ltd
Unit 7, 2-8 South Street
Rydalmere NSW 2116
1300 786 411
customerservice@phoenixcontact.com.au