

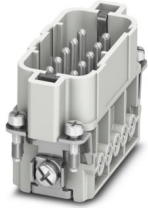
HC-A10-I-UT-M - Contact insert



1585294

<https://www.phoenixcontact.com/au/products/1585294>

Please be informed that the data shown in this PDF document is generated from our online catalog. Please find the complete data in the user documentation. Our general terms of use for downloads are valid.



Contact insert, number of positions: 10+PE, size: D15, number of connections per position: 1, Pin, Screw connection, 250 V, 16 A, 0.5 mm² ... 2.5 mm²

Your advantages

- Can be coded with plastic coding profile (order number 1410916)
- For a test pin 2 mm in diameter
- Shock and vibration-resistant in accordance with DIN EN 61373

Commercial data

| | |
|--------------------------------------|---------------------|
| Item number | 1585294 |
| Packing unit | 1 pc |
| Minimum order quantity | 1 pc |
| Sales key | AF7ABB |
| Product key | AF7ABB |
| Catalog page | Page 519 (C-2-2019) |
| GTIN | 4046356285025 |
| Weight per piece (including packing) | 46.1 g |
| Weight per piece (excluding packing) | 42.35 g |
| Customs tariff number | 85366990 |
| Country of origin | CN |

HC-A10-I-UT-M - Contact insert



1585294

<https://www.phoenixcontact.com/au/products/1585294>

Technical data

Notes

| | |
|---------|--|
| General | for flexible conductors with or without ferrules |
| General | Connectors may be operated only when there is no load/voltage. |
| General | for housing HC-D15 |

Mounting

| | |
|---------------|---|
| Assembly note | To ensure correct use, installation in housing with IP54 protection or better is required |
| | for plastic coding profiles: 4 pcs. |

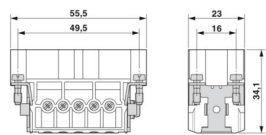
Product properties

| | |
|------------------------------------|--|
| Product type | Contact insert with a fixed no. of positions |
| Series | HC-A |
| Type | D15 |
| Number of positions | 10 |
| Connection profile | 10+PE |
| Contact numbering | 1 - 10 |
| Number of connections per position | 1 |
| Contact material type | turned |
| Screwdriver blade | 0.5 x 3.5 mm |

Insulation characteristics

| | |
|----------------------|-----|
| Overvoltage category | III |
| Degree of pollution | 3 |

Dimensions

| | |
|---------------------------------|--|
| Dimensional drawing |  |
| Width | 23 mm |
| Height | 34.1 mm |
| Length | 55.5 mm |
| Drill hole distance, horizontal | 49.5 mm |
| Drill hole distance, vertical | 16 mm |

Mechanical characteristics

| | |
|------------------|--------|
| Contact diameter | 2.5 mm |
|------------------|--------|

Connection data

Connection technology

HC-A10-I-UT-M - Contact insert



1585294

<https://www.phoenixcontact.com/au/products/1585294>

| | |
|------------------------------------|------------------|
| Connection technology | Screw connection |
| Number of connections per position | 1 |
| Connection in acc. with standard | IEC / EN |

Conductor connection

| | |
|---|--|
| Conductor cross section | 0.5 mm ² ... 2.5 mm ² |
| Connection cross section AWG | 20 ... 14 |
| Tightening torque | 0.7 Nm ... 1 Nm (PE connection) |
| | 0.5 Nm ... 0.8 Nm (Mounting screws for mounting in the HEAVYCON housing) |
| | 0.5 Nm |
| Stripping length of the individual wire | 7 mm |

Electrical properties

| | |
|-----------------------|----------------|
| Rated voltage (III/3) | 250 V |
| Rated surge voltage | 4 kV |
| Rated current | 16 A |
| SCCR | 5 kA (UL 2237) |

Mechanical properties

Mechanical data

| | |
|-----------------------------|-------|
| Insertion/withdrawal cycles | ≥ 500 |
|-----------------------------|-------|

Material specifications

| | |
|--|--------------|
| Flammability rating according to UL 94 | V0 |
| Contact material | Copper alloy |
| Contact surface material | Ag |
| Contact carrier material | PC |
| Standards/regulations | PC |

Environmental and real-life conditions

Ambient conditions

| | |
|---------------------------------|--|
| Ambient temperature (operation) | -40 °C ... 125 °C (including heating up of contacts) |
|---------------------------------|--|

Standards and regulations

Testing

| | |
|-----------------------|---|
| Standards/regulations | PC: Fire protection in rail vehicles - requirement sets R22, R23, and R24 acc. to DIN EN 45545-2 (Risk level HL1 - HL3) |
|-----------------------|---|

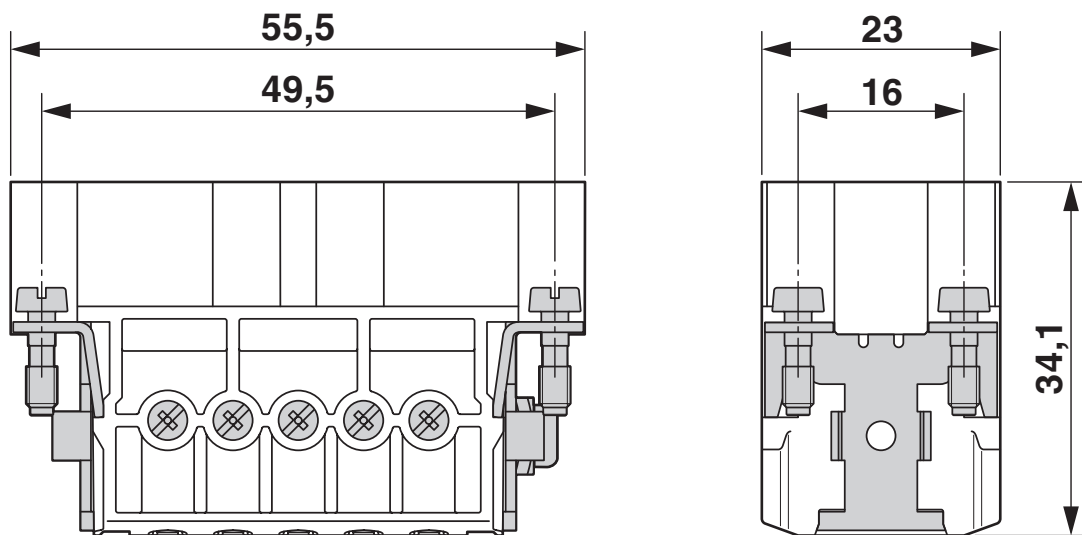
HC-A10-I-UT-M - Contact insert

1585294

<https://www.phoenixcontact.com/au/products/1585294>

Drawings

Dimensional drawing



Male insert

Dimensional drawing



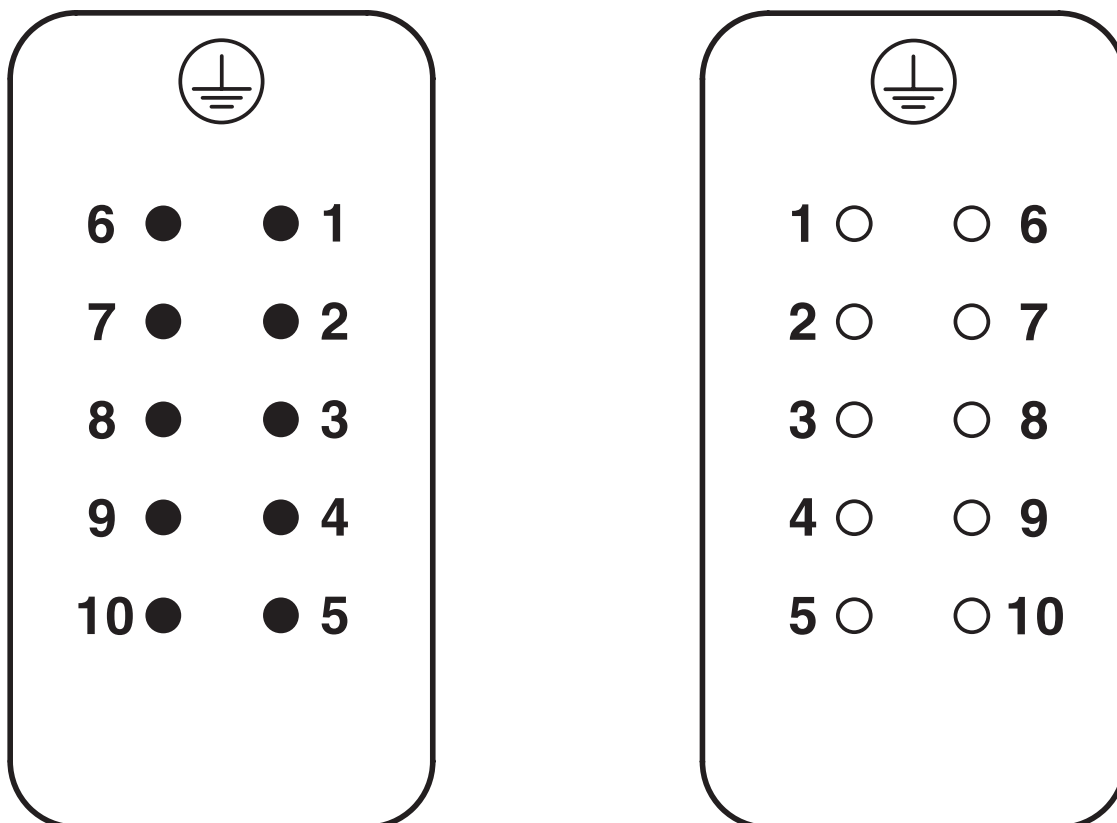
Mounting cutout when used without housing

HC-A10-I-UT-M - Contact insert

1585294

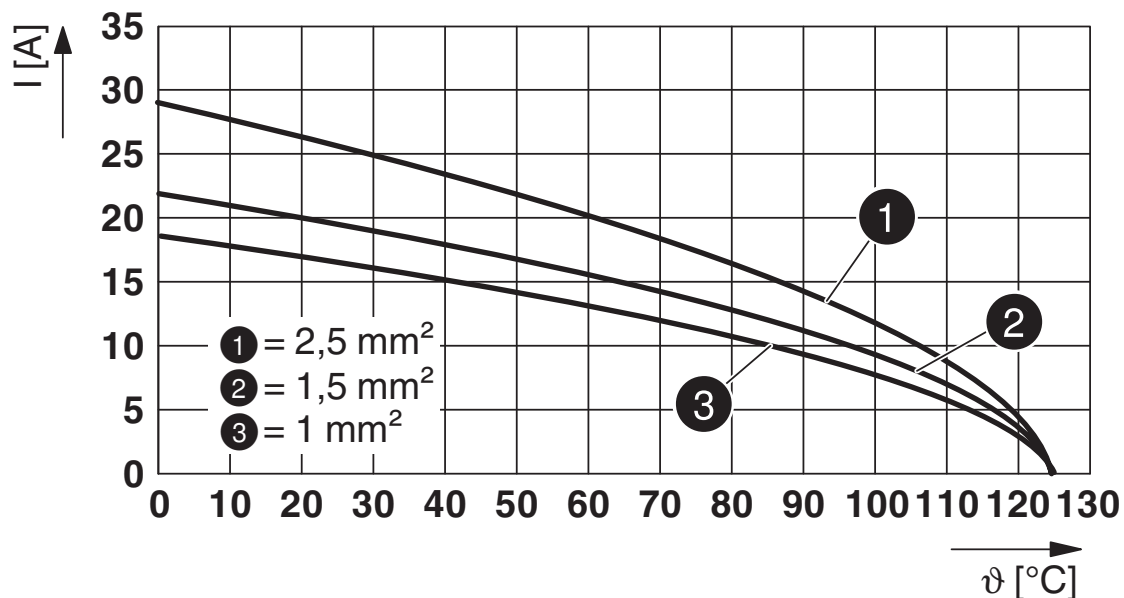
<https://www.phoenixcontact.com/au/products/1585294>

Schematic diagram



Pin assignment, connection side, pin left, socket right

Diagram



Derating diagram

HC-A10-I-UT-M - Contact insert



1585294

<https://www.phoenixcontact.com/au/products/1585294>

Approvals

To download certificates, visit the product detail page: <https://www.phoenixcontact.com/au/products/1585294>

DNV

Approval ID: TAE000037S



CSA

Approval ID: 13631

| | Nominal voltage U_N | Nominal current I_N | Cross section AWG | Cross section mm^2 |
|--|-----------------------|-----------------------|-------------------|-----------------------------|
| | 600 V | 15 A | - 14 | - |



UL Recognized

Approval ID: E118976

| | Nominal voltage U_N | Nominal current I_N | Cross section AWG | Cross section mm^2 |
|--|-----------------------|-----------------------|-------------------|-----------------------------|
| | 600 V | 19 A | - | - |



UL Recognized

Approval ID: E468743

| | Nominal voltage U_N | Nominal current I_N | Cross section AWG | Cross section mm^2 |
|--|-----------------------|-----------------------|-------------------|-----------------------------|
| | 600 V | 18 A | - | - |

HC-A10-I-UT-M - Contact insert



1585294

<https://www.phoenixcontact.com/au/products/1585294>

Classifications

ECLASS

ECLASS-13.0

27440205

ETIM

ETIM 9.0

EC000438

UNSPSC

UNSPSC 21.0

39121500

HC-A10-I-UT-M - Contact insert



1585294

<https://www.phoenixcontact.com/au/products/1585294>

Environmental product compliance

EU RoHS

| | |
|---|------|
| Fulfills EU RoHS substance requirements | Yes |
| Exemption | 6(c) |

China RoHS

| | |
|--|---|
| Environment friendly use period (EFUP) | EFUP-50 |
| | An article-related China RoHS declaration table can be found in the download area for the respective article under "Manufacturer declaration". For all articles with EFUP-E, no China RoHS declaration table issued and required. |

EU REACH SVHC

| | |
|-------------------------------------|--------------------------------------|
| REACH candidate substance (CAS No.) | Lead(CAS: 7439-92-1) |
| SCIP | 33860de8-8156-4e2c-ab7c-a7a05e29dcdb |

Phoenix Contact 2025 © - all rights reserved

<https://www.phoenixcontact.com>

PHOENIX CONTACT PTY Ltd

Unit 7, 2-8 South Street

Rydalmere NSW 2116

1300 786 411

customerservice@phoenixcontact.com.au